

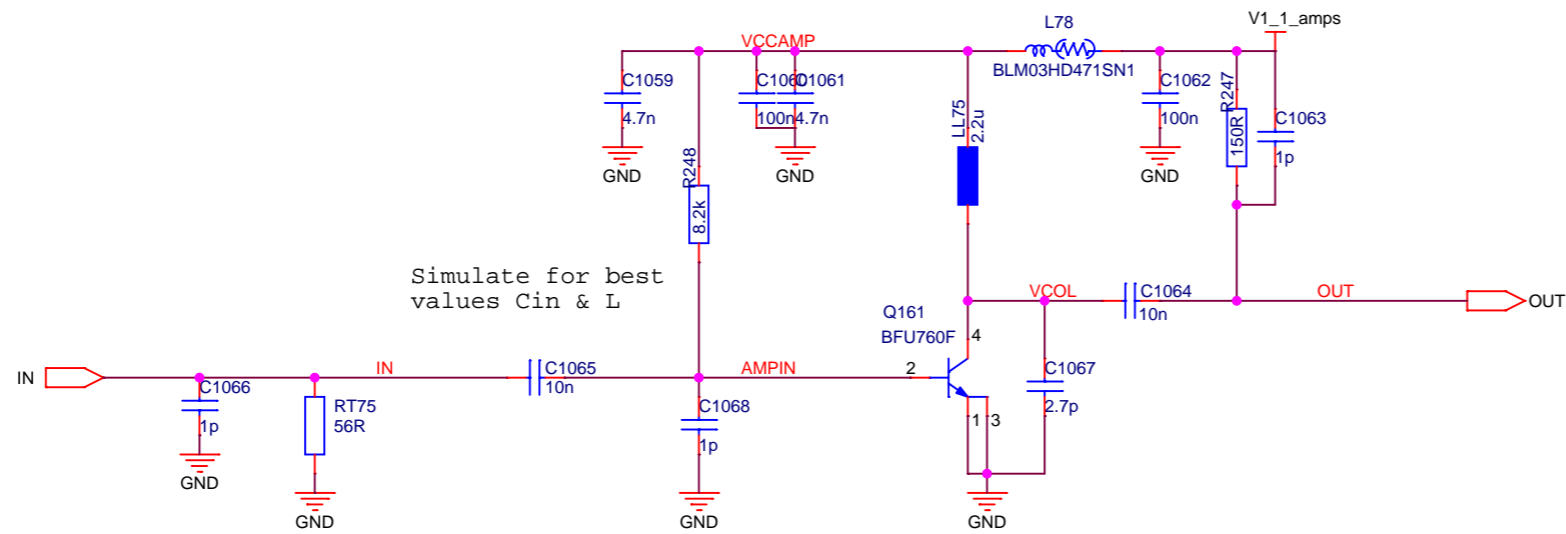
FEB_IO6
FEB_IO7
6 & 7 used here
for I2C dig pot

GSiC Gesellschaft für Schwerionenforschung mbH
Planckstrasse 1
D-64291 Darmstadt
GERMANY
www.gsi.de

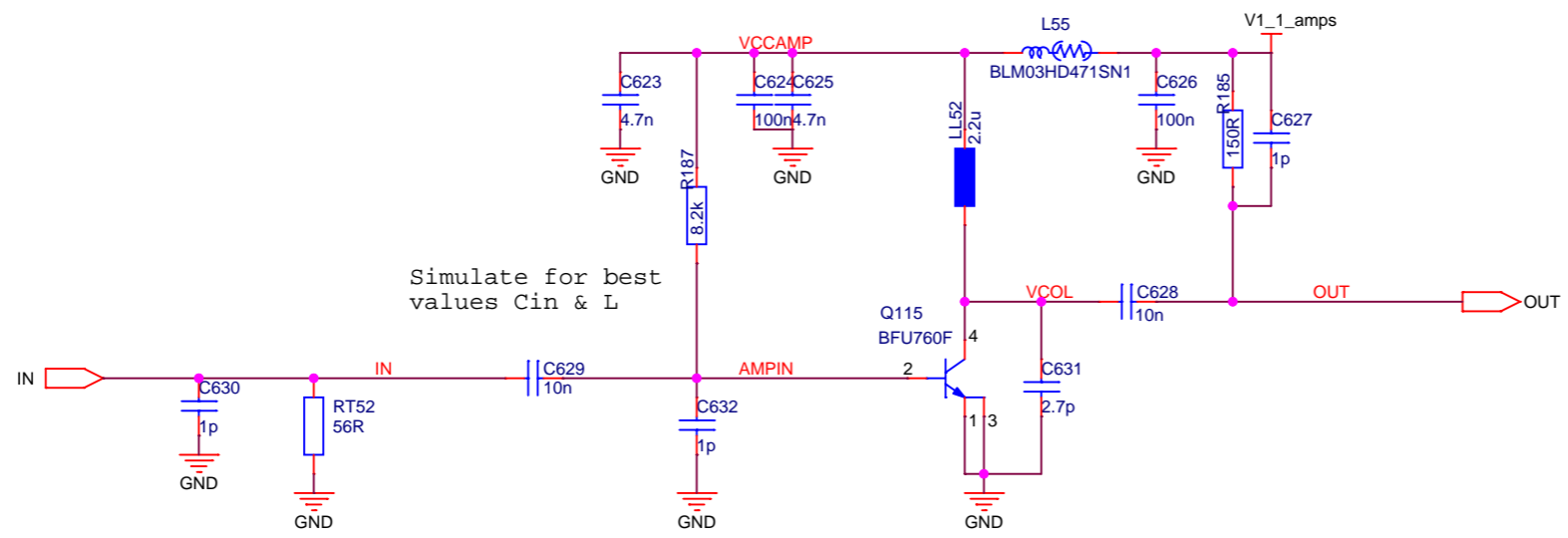
SCIFI_652_AMPS1 PAGE1

Design: K:\GSIJOB\SCIFI\SCIFI_652 AMP1\SCIFI_652 AMP1.DSN
Modified: Thursday, March 06, 2025
Designer: H. Heggen

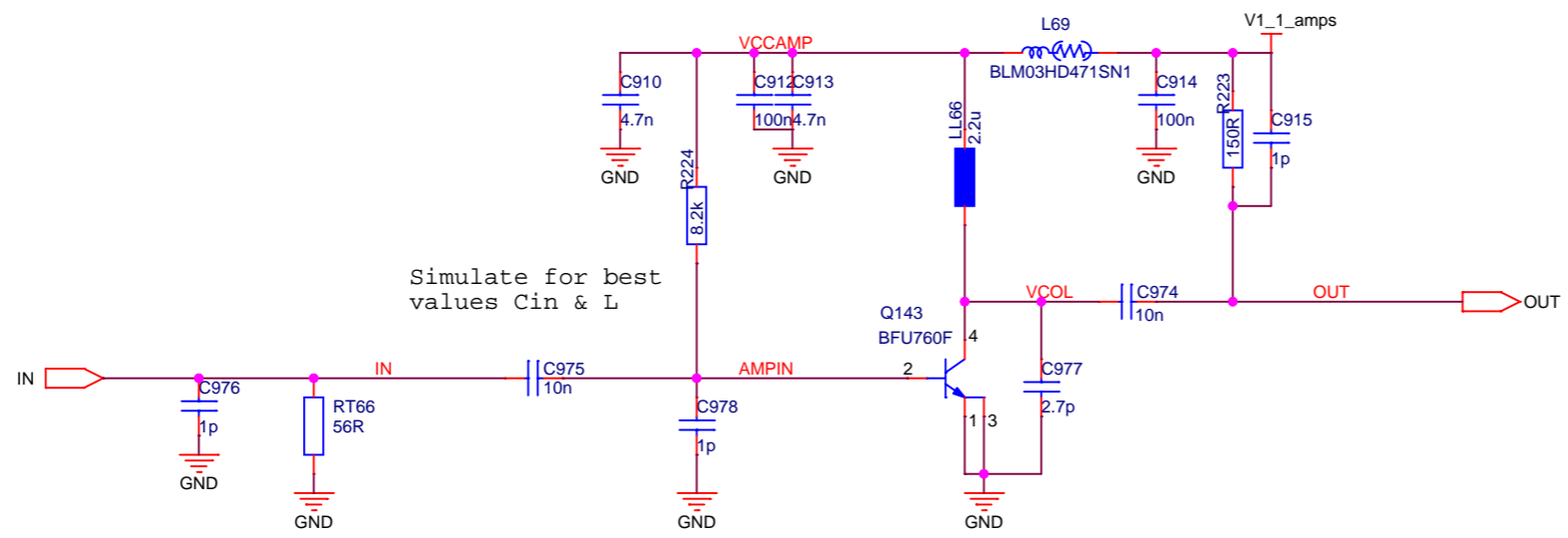
Size: A3 Page: 1 / 272
Layouter: H.Kayan



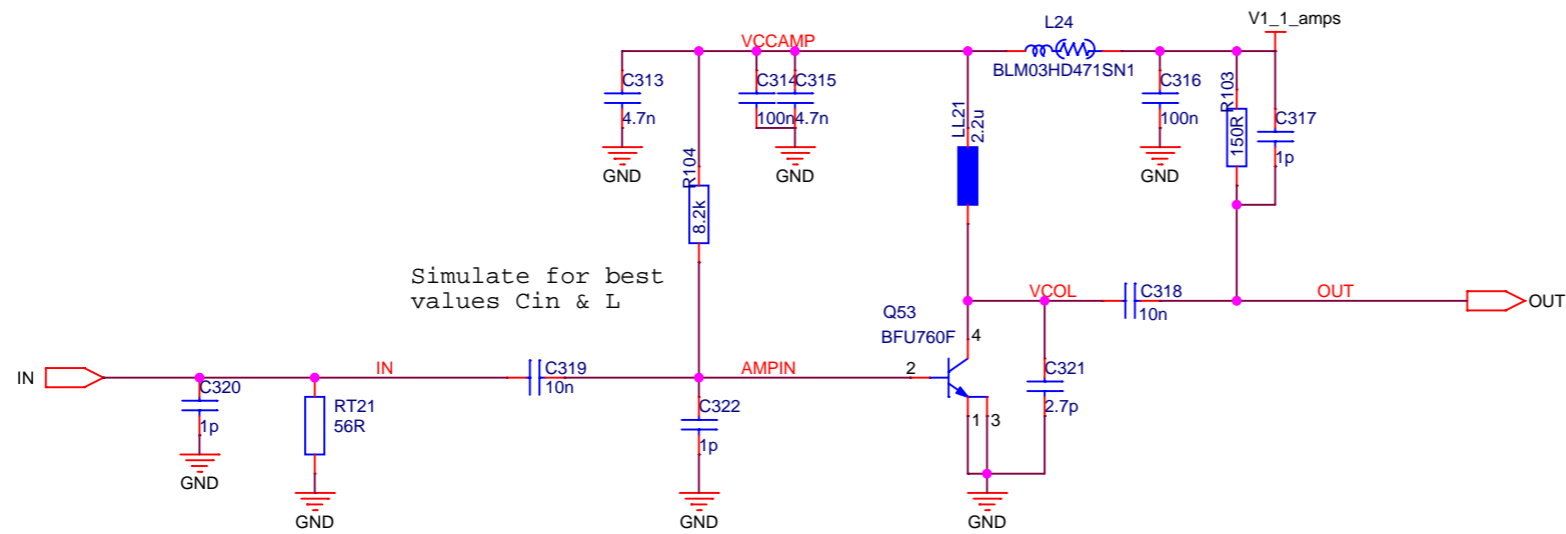
| | | |
|---|--|--------------------|
|  | Gesellschaft für Schwerionenforschung mbH Planckstrasse 1 D-64291 Darmstadt GERMANY www.gsi.de | |
| | 2 CHANNEL CHARGE & TIMING INPUT STAGE | |
| Design: K:\GSI\JOB\SCIF\SCIFI_652_AMP1\SCIFI_652_AMP1.DSN | | Size: A3 |
| Modified: Thursday, March 06, 2025 | | Page: 1 / 12 |
| Designer: H. Haggren | | Layouter: H. Kavan |

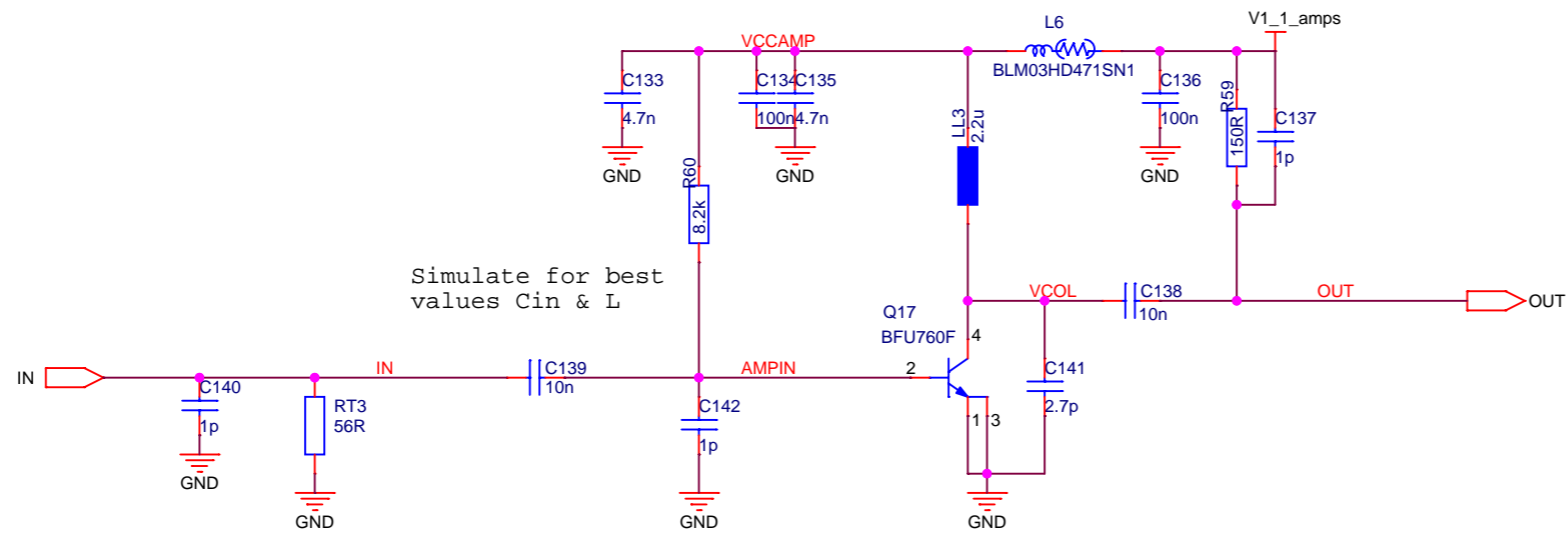


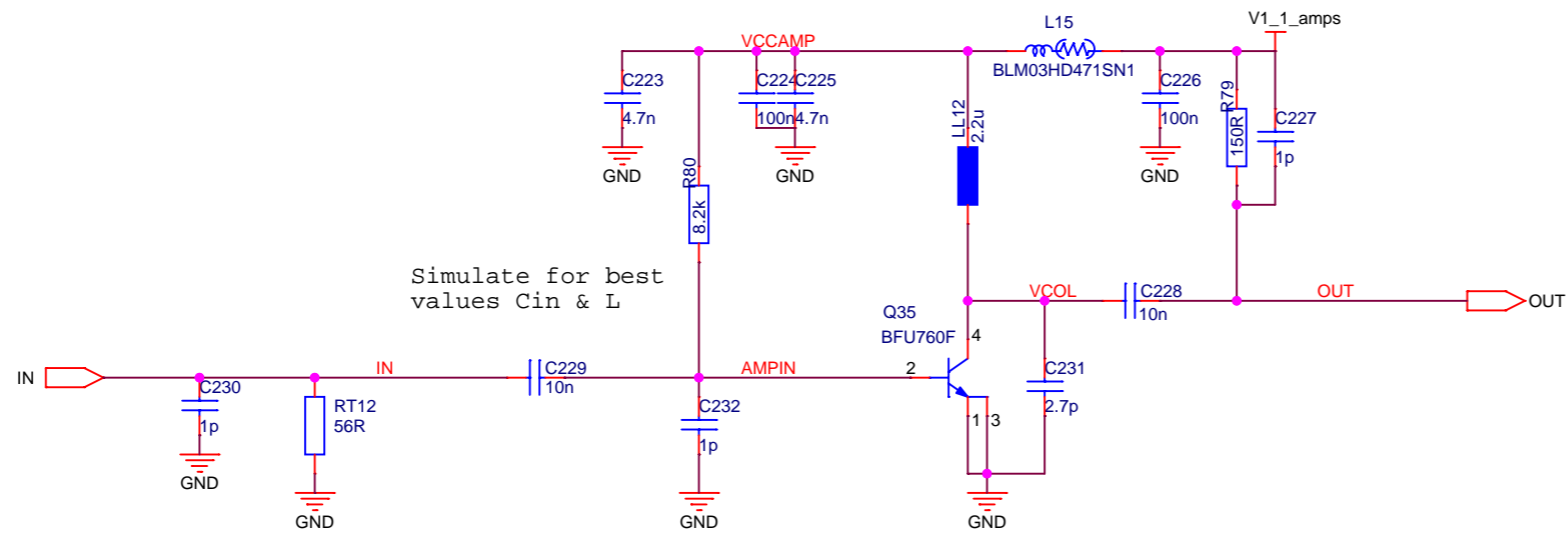
| | | |
|---|--|--------------------|
|  | Gesellschaft für Schwerionenforschung mbH Planckstrasse 1 D-64291 Darmstadt GERMANY www.gsi.de | |
| | 2 CHANNEL CHARGE & TIMING INPUT STAGE | |
| Design: K:\GSI\JOB\SCIF\SCIFI_652_AMP1\SCIFI_652_AMP1.DSN | | Size: A3 |
| Modified: Thursday, March 06, 2025 | | Page: 1 / 12 |
| Designer: H. Haggren | | Layouter: H. Kavan |



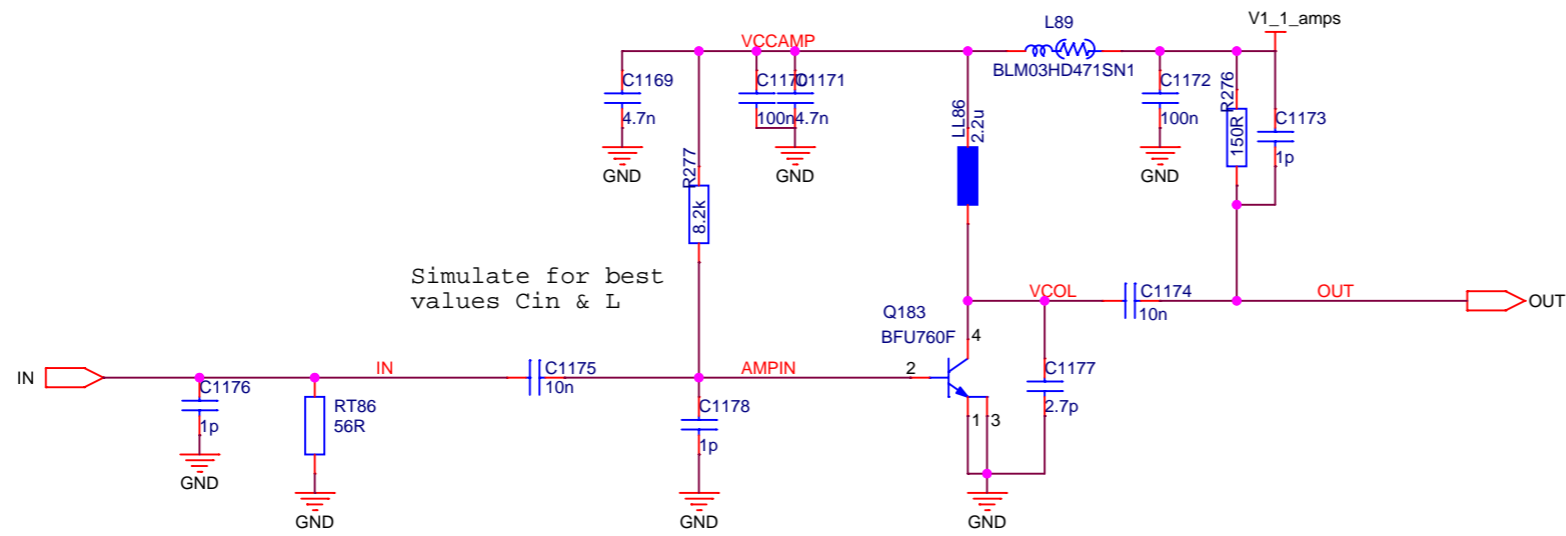
| | | |
|---|--|--------------------|
|  | Gesellschaft für Schwerionenforschung mbH Planckstrasse 1 D-64291 Darmstadt GERMANY www.gsi.de | |
| | 2 CHANNEL CHARGE & TIMING INPUT STAGE | |
| Design: K:\GSI\JOB\SCIFI\SCIFI_652_AMP1\SCIFI_652_AMP1.DSN | | Size: A3 |
| Modified: Thursday, March 06, 2025 | | Page: 1 / 12 |
| Designer: H. Haggren | | Layouter: H. Kavan |

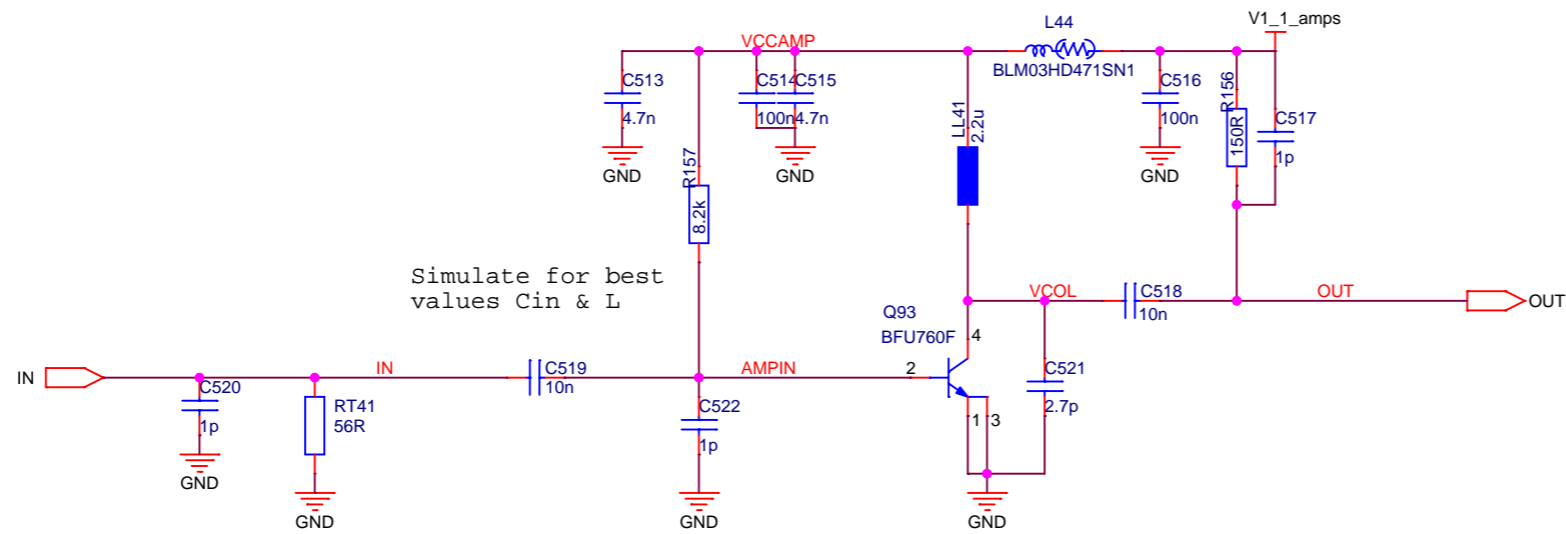


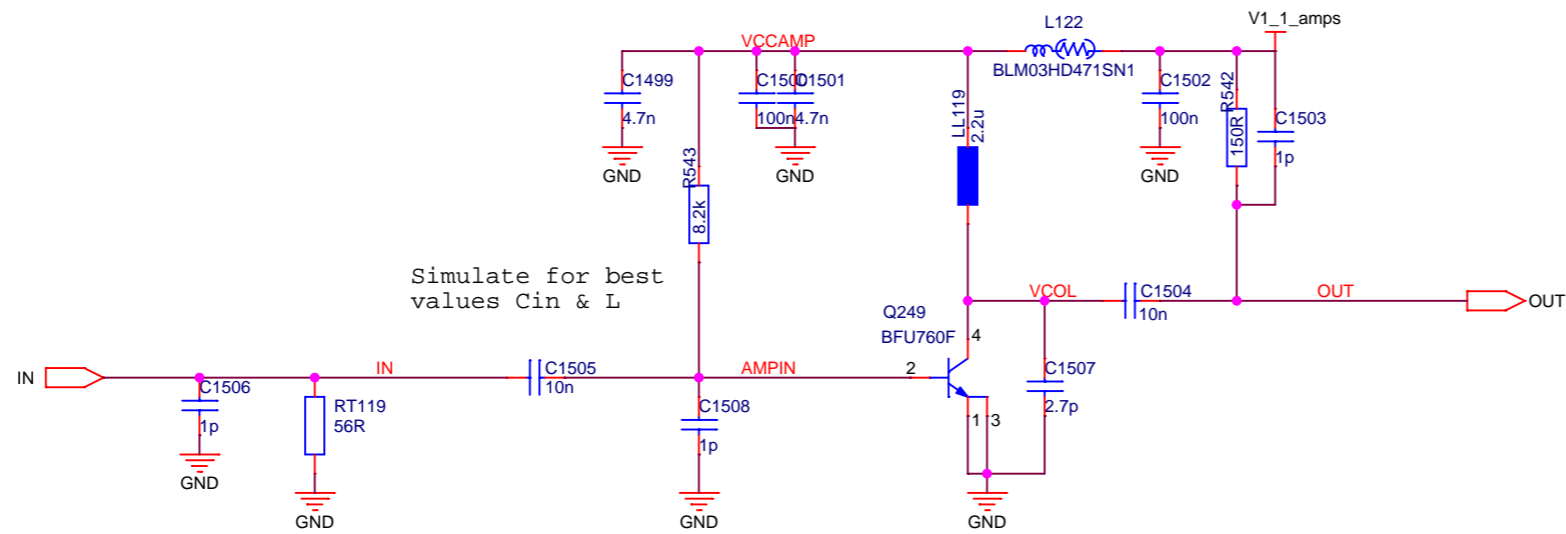


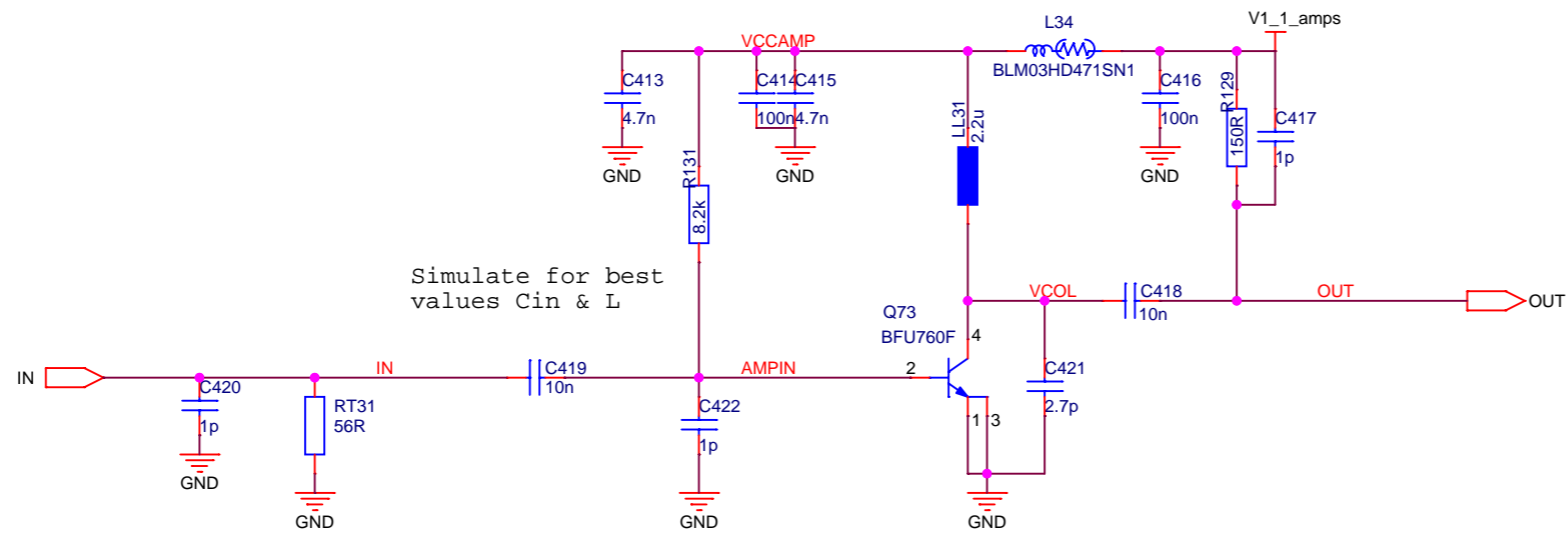


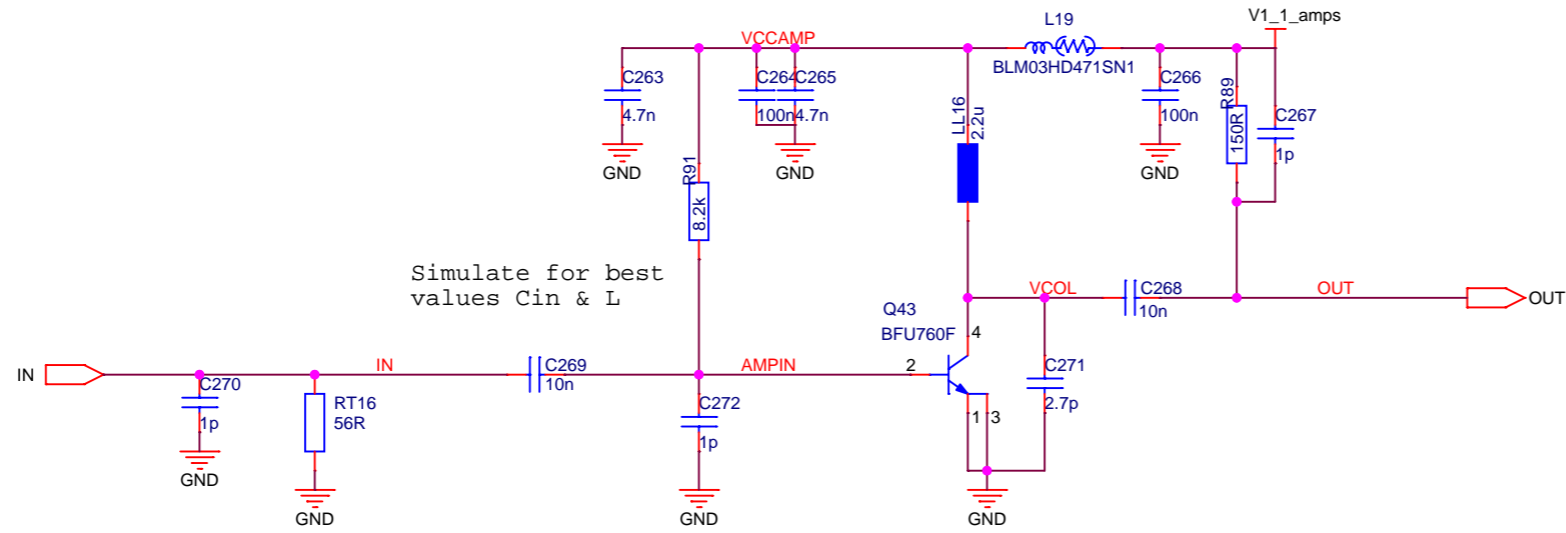
| | | |
|---|--|--------------------|
|  | Gesellschaft für Schwerionenforschung mbH Planckstrasse 1 D-64291 Darmstadt GERMANY www.gsi.de | |
| | 2 CHANNEL CHARGE & TIMING INPUT STAGE | |
| Design: K:\GSI\JOB\SCIF\SCIFI_652_AMP1\SCIFI_652_AMP1.DSN | | Size: A3 |
| Modified: Thursday, March 06, 2025 | | Page: 1 / 12 |
| Designer: H. Haggren | | Layouter: H. Kavan |




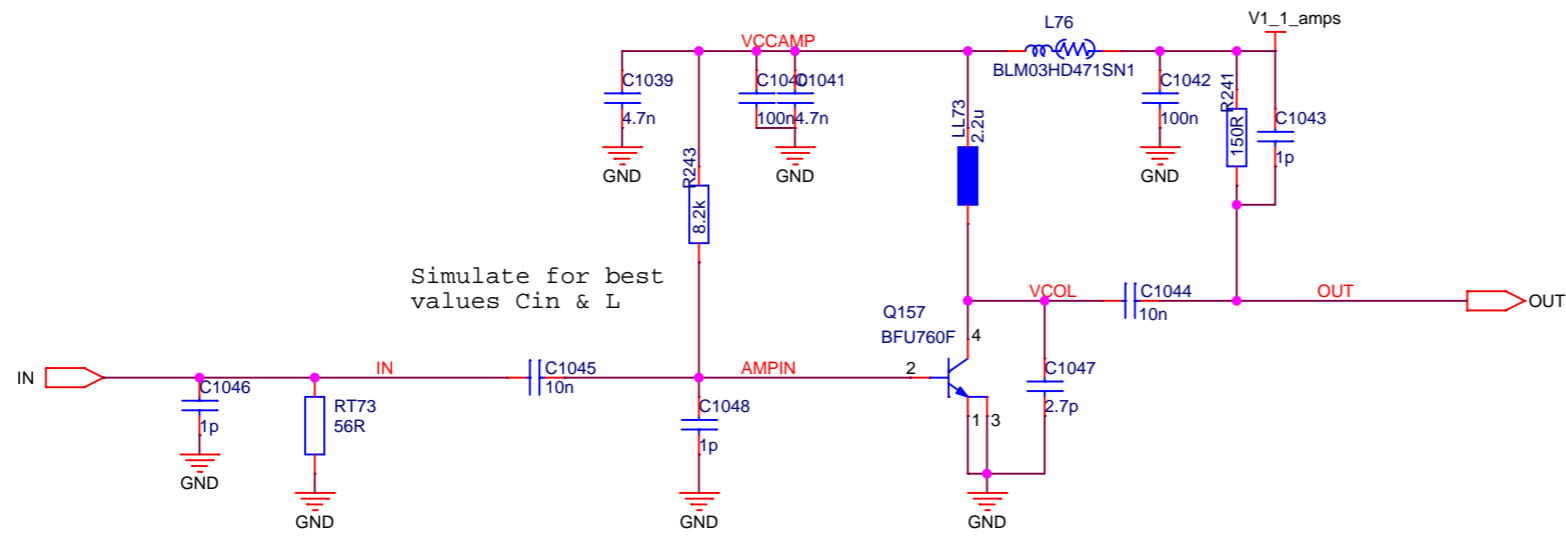




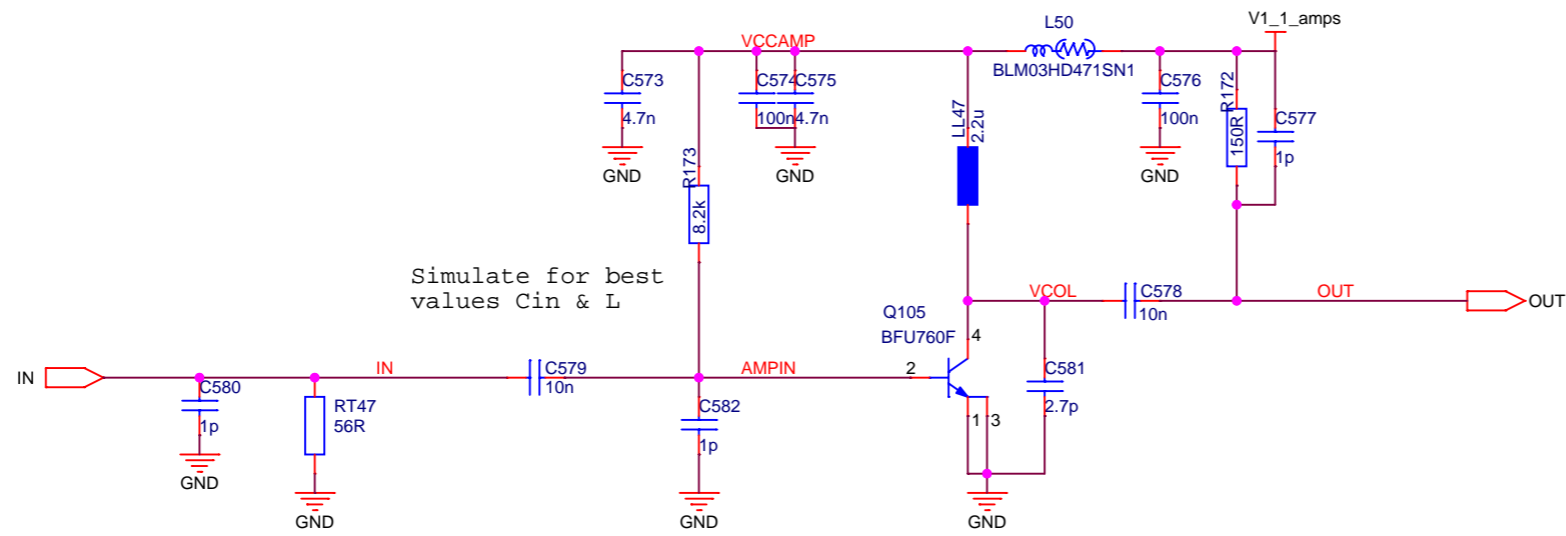




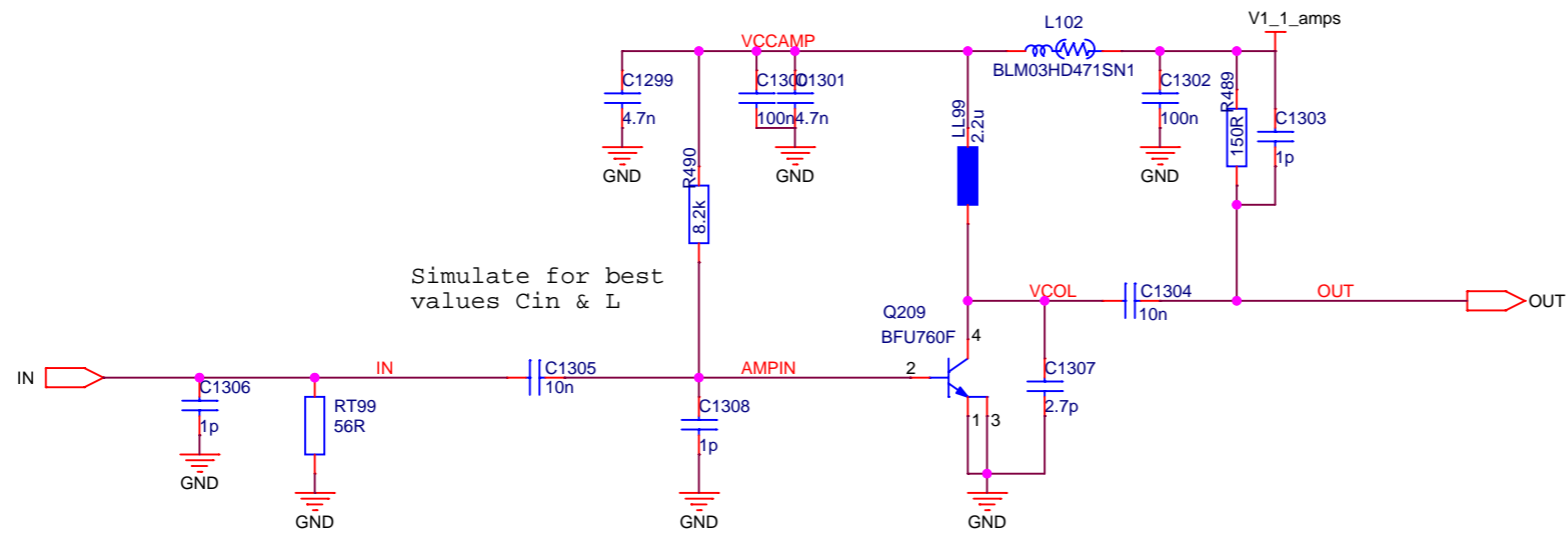
| | | |
|---|--|--------------------|
|  | Gesellschaft für Schwerionenforschung mbH Planckstrasse 1 D-64291 Darmstadt GERMANY www.gsi.de | |
| | 2 CHANNEL CHARGE & TIMING INPUT STAGE | |
| Design: K:\GSI\JOB\SCIF\SCIFI_652_AMP1\SCIFI_652_AMP1.DSN | | Size: A3 |
| Modified: Thursday, March 06, 2025 | | Page: 1 / 12 |
| Designer: H. Haggren | | Layouter: H. Kavan |

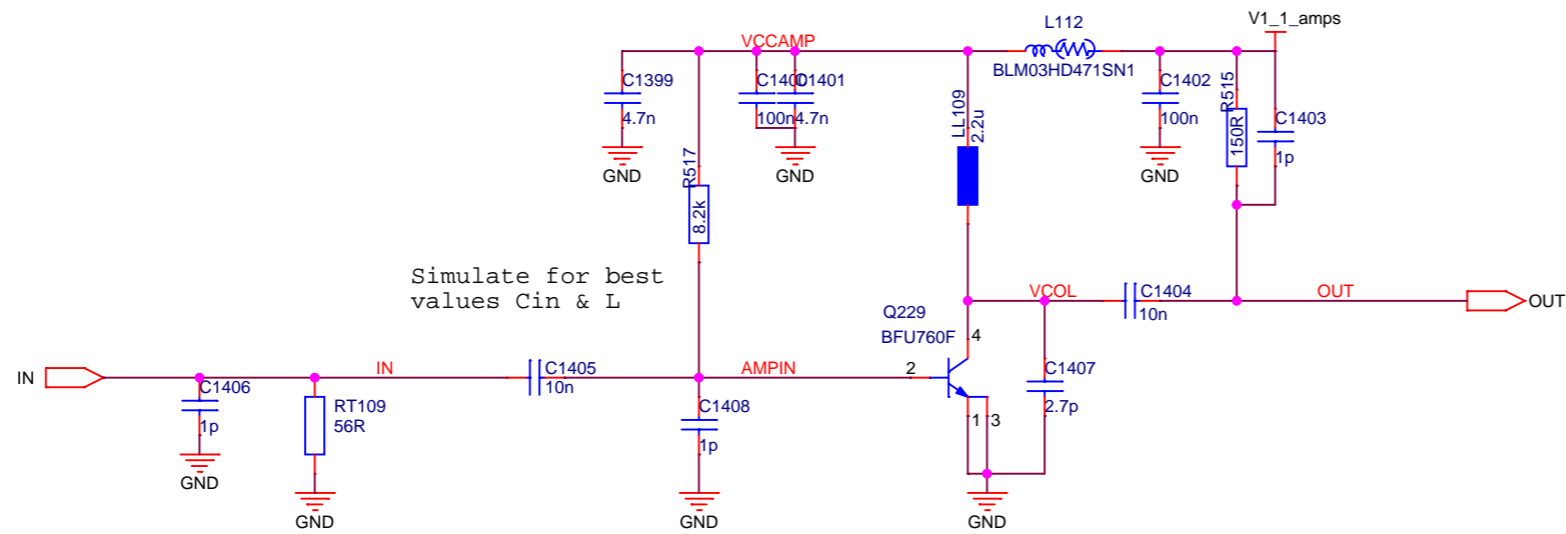


| | | |
|---|--|--------------------|
|  | Gesellschaft für Schwerionenforschung mbH Planckstrasse 1 D-64291 Darmstadt GERMANY www.gsi.de | |
| | 2 CHANNEL CHARGE & TIMING INPUT STAGE | |
| Design: K:\GSI\JOB\SCIFI\SCIFI_652_AMP1\SCIFI_652_AMP1.DSN | | Size: A3 |
| Modified: Thursday, March 06, 2025 | | Page: 1 / 12 |
| Designer: H. Haggren | | Layouter: H. Kavan |

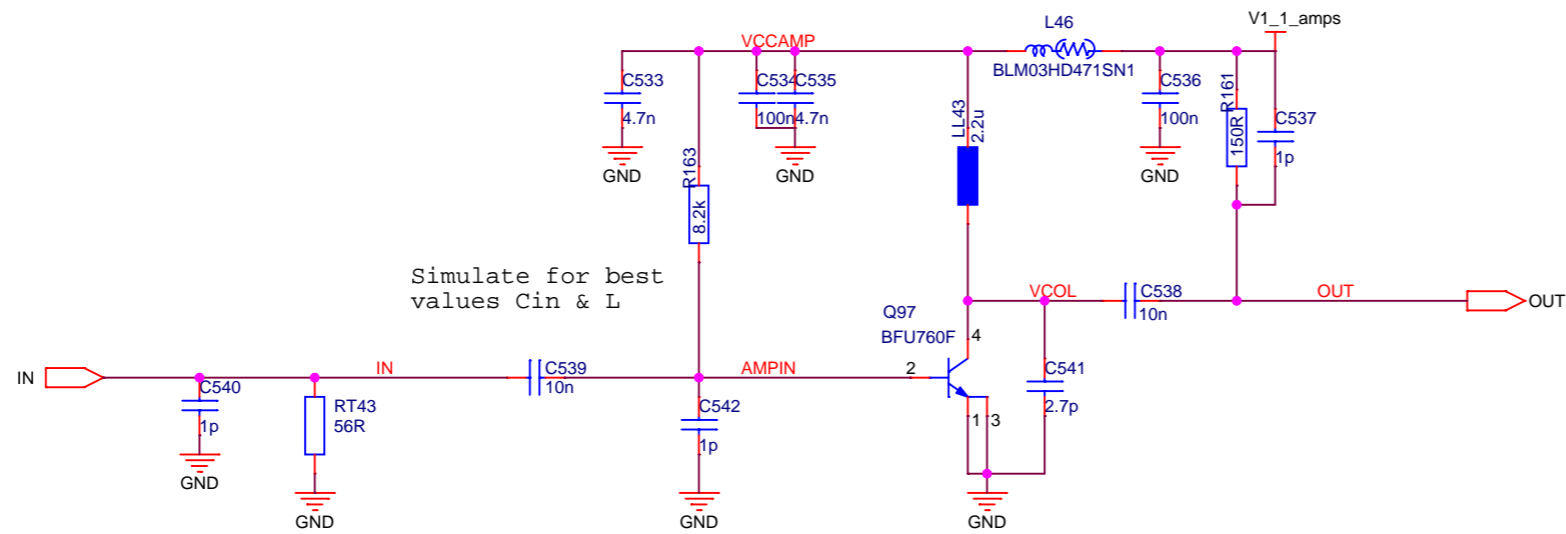



| | | |
|---|--|--------------------|
|  | Gesellschaft für Schwerionenforschung mbH Planckstrasse 1 D-64291 Darmstadt GERMANY www.gsi.de | |
| | 2 CHANNEL CHARGE & TIMING INPUT STAGE | |
| Design: K:\GSI\JOB\SCIF\SCIFI_652_AMP1\SCIFI_652_AMP1.DSN | | Size: A3 |
| Modified: Thursday, March 06, 2025 | | Page: 1 / 12 |
| Designer: H. Haggren | | Layouter: H. Kavan |

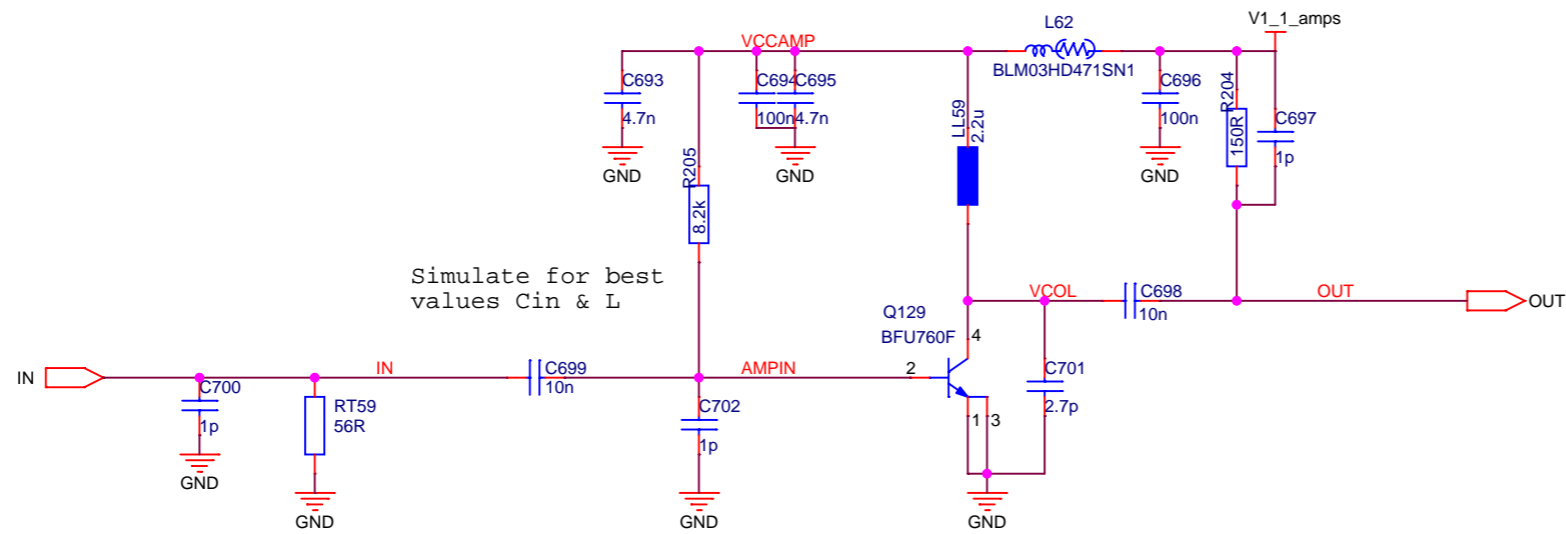


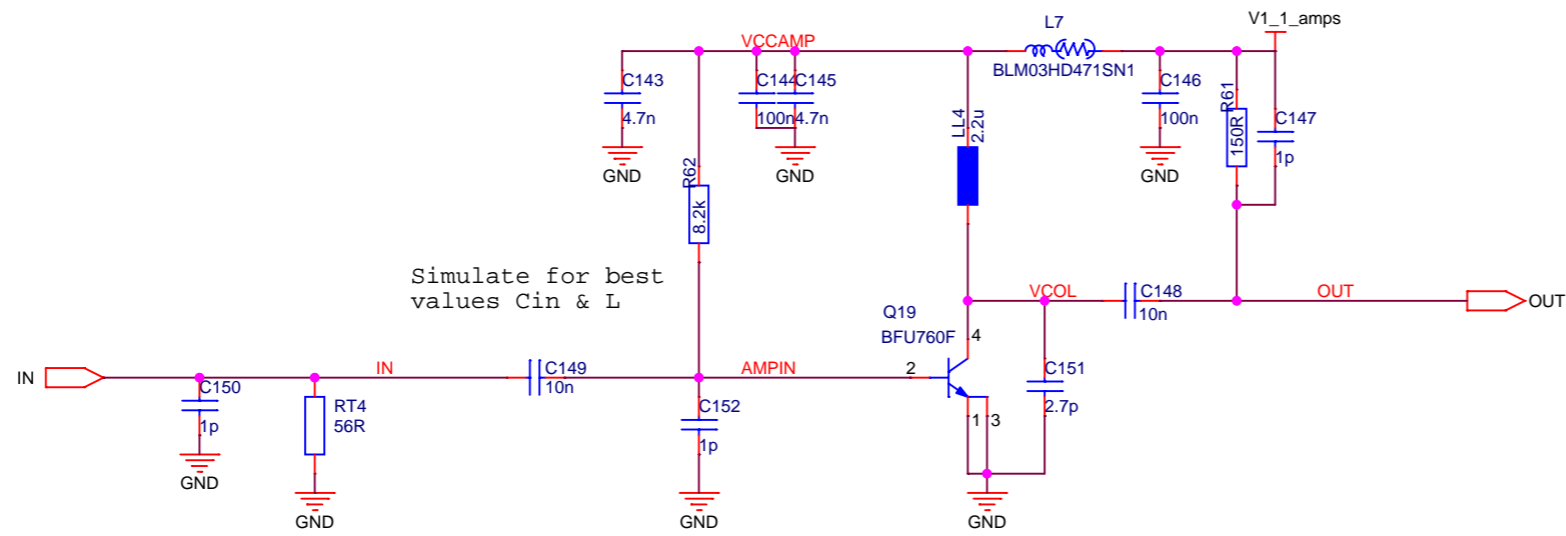



| | | |
|---|--|--------------------|
|  | Gesellschaft für Schwerionenforschung mbH Planckstrasse 1 D-64291 Darmstadt GERMANY www.gsi.de | |
| | 2 CHANNEL CHARGE & TIMING INPUT STAGE | |
| Design: K:\GSI\JOB\SCIF\SCIFI_652_AMP1\SCIFI_652_AMP1.DSN | | Size: A3 |
| Modified: Thursday, March 06, 2025 | | Page: 1 / 12 |
| Designer: H. Haggren | | Layouter: H. Kavan |

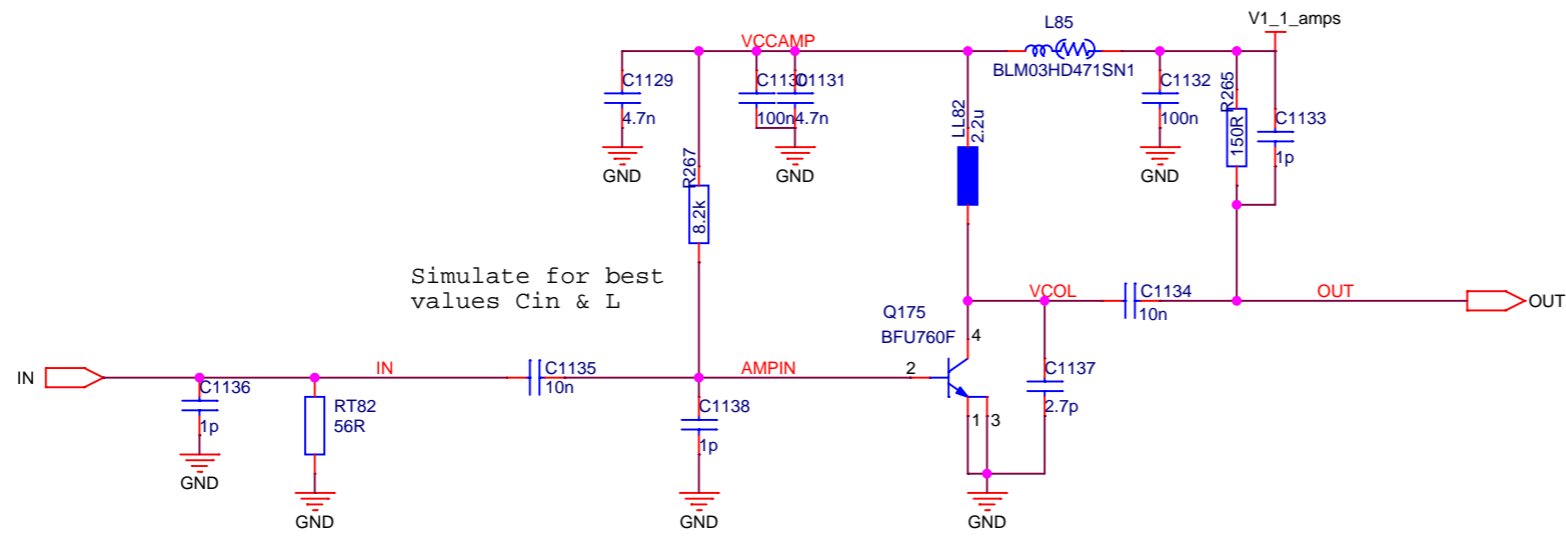


| | | |
|---|--|--------------------|
|  | Gesellschaft für Schwerionenforschung mbH Planckstrasse 1 D-64291 Darmstadt GERMANY www.gsi.de | |
| | 2 CHANNEL CHARGE & TIMING INPUT STAGE | |
| Design: K:\GSI\JOB\SCIF\SCIFI_652_AMP1\SCIFI_652_AMP1.DSN | | Size: A3 |
| Modified: Thursday, March 06, 2025 | | Page: 1 / 12 |
| Designer: H. Haggren | | Layouter: H. Kavan |

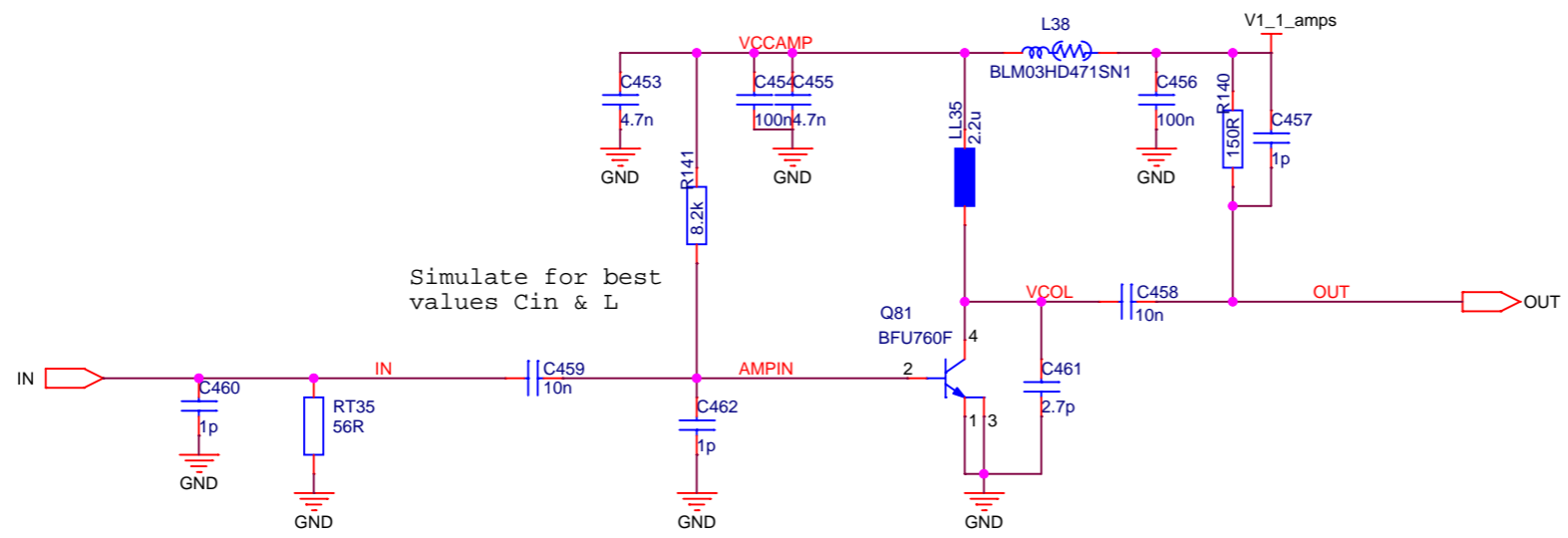




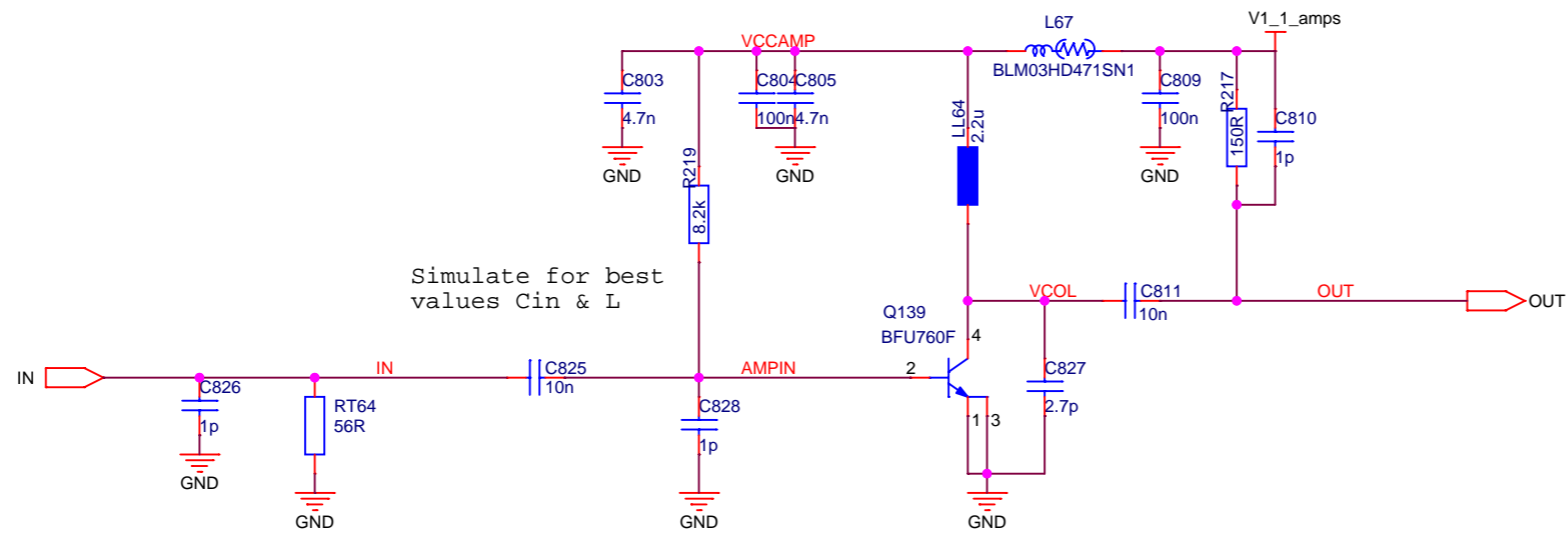
| | | |
|---|--|--------------------|
|  | Gesellschaft für Schwerionenforschung mbH Planckstrasse 1 D-64291 Darmstadt GERMANY www.gsi.de | |
| | 2 CHANNEL CHARGE & TIMING INPUT STAGE | |
| Design: K:\GSI\JOB\SCIFI\SCIFI_652_AMP1\SCIFI_652_AMP1.DSN | | Size: A3 |
| Modified: Thursday, March 06, 2025 | | Page: 1 / 12 |
| Designer: H. Haggren | | Layouter: H. Kavan |



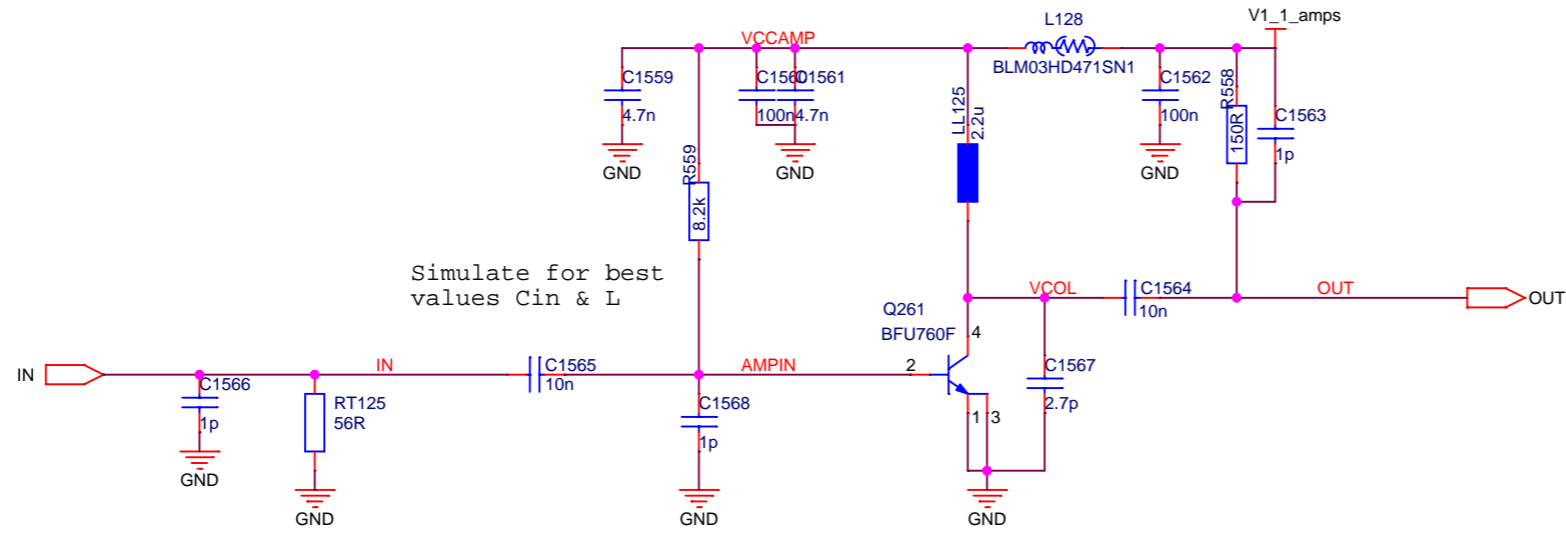
| | | |
|---|--|--------------------|
|  | Gesellschaft für Schwerionenforschung mbH Planckstrasse 1 D-64291 Darmstadt GERMANY www.gsi.de | |
| | 2 CHANNEL CHARGE & TIMING INPUT STAGE | |
| Design: K:\GSI\JOB\SCIF\SCIFI_652_AMP1\SCIFI_652_AMP1.DSN | | Size: A3 |
| Modified: Thursday, March 06, 2025 | | Page: 1 / 12 |
| Designer: H. Haggren | | Layouter: H. Kavan |



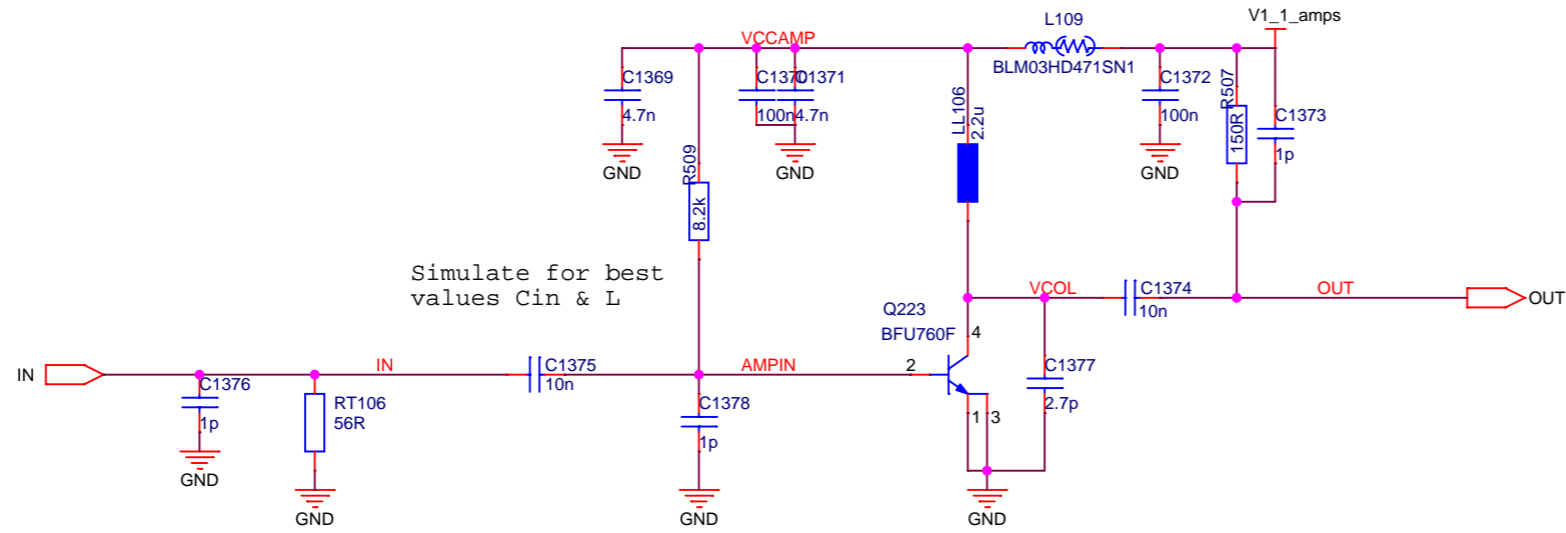
| | | |
|---|--|--------------------|
|  | Gesellschaft für Schwerionenforschung mbH Planckstrasse 1 D-64291 Darmstadt GERMANY www.gsi.de | |
| | 2 CHANNEL CHARGE & TIMING INPUT STAGE | |
| Design: K:\GSI\JOB\SCIF\SCIFI_652_AMP1\SCIFI_652_AMP1.DSN | | Size: A3 |
| Modified: Thursday, March 06, 2025 | | Page: 1 / 12 |
| Designer: H. Haggren | | Layouter: H. Kavan |

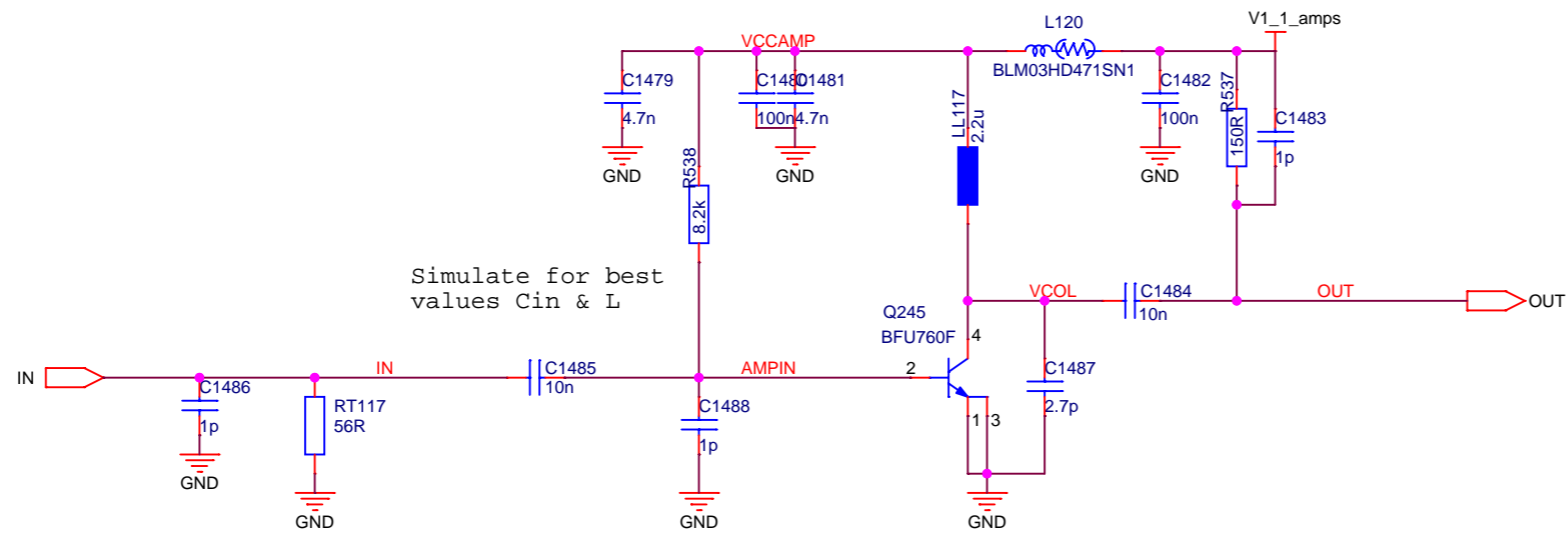


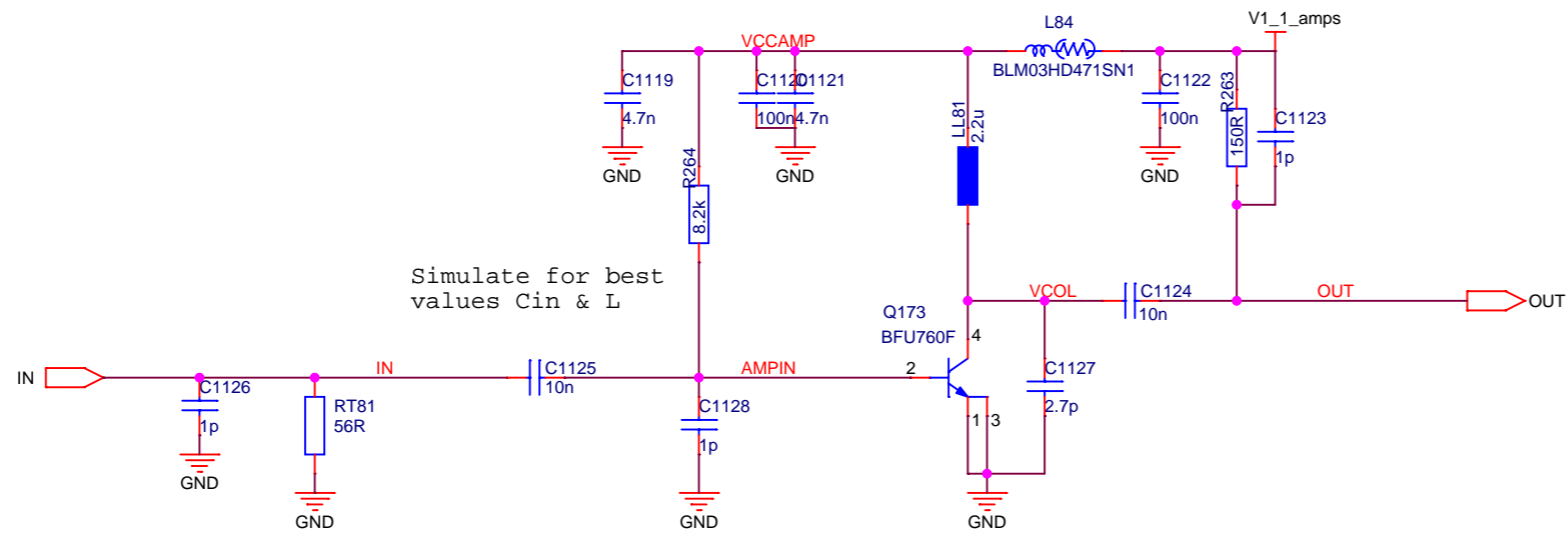
| | | |
|---|--|--------------------|
|  | Gesellschaft für Schwerionenforschung mbH Planckstrasse 1 D-64291 Darmstadt GERMANY www.gsi.de | |
| | 2 CHANNEL CHARGE & TIMING INPUT STAGE | |
| Design: K:\GSI\JOB\SCIF\SCIFI_652_AMP1\SCIFI_652_AMP1.DSN | | Size: A3 |
| Modified: Thursday, March 06, 2025 | | Page: 1 / 12 |
| Designer: H. Haggren | | Layouter: H. Kavan |

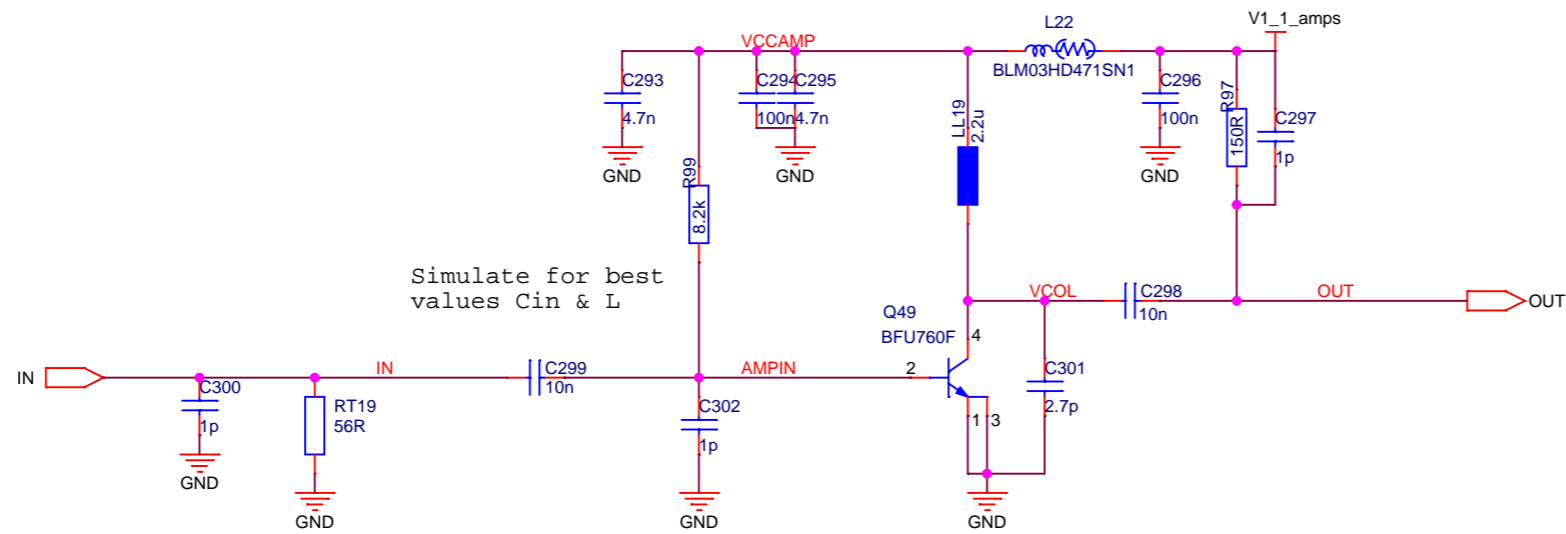


| | | |
|---|--|--------------------|
|  | Gesellschaft für Schwerionenforschung mbH Planckstrasse 1 D-64291 Darmstadt GERMANY www.gsi.de | |
| | 2 CHANNEL CHARGE & TIMING INPUT STAGE | |
| Design: K:\GSI\JOB\SCIF\SCIFI_652_AMP1\SCIFI_652_AMP1.DSN | | Size: A3 |
| Modified: Thursday, March 06, 2025 | | Page: 1 / 12 |
| Designer: H. Haggan | | Layouter: H. Kavan |

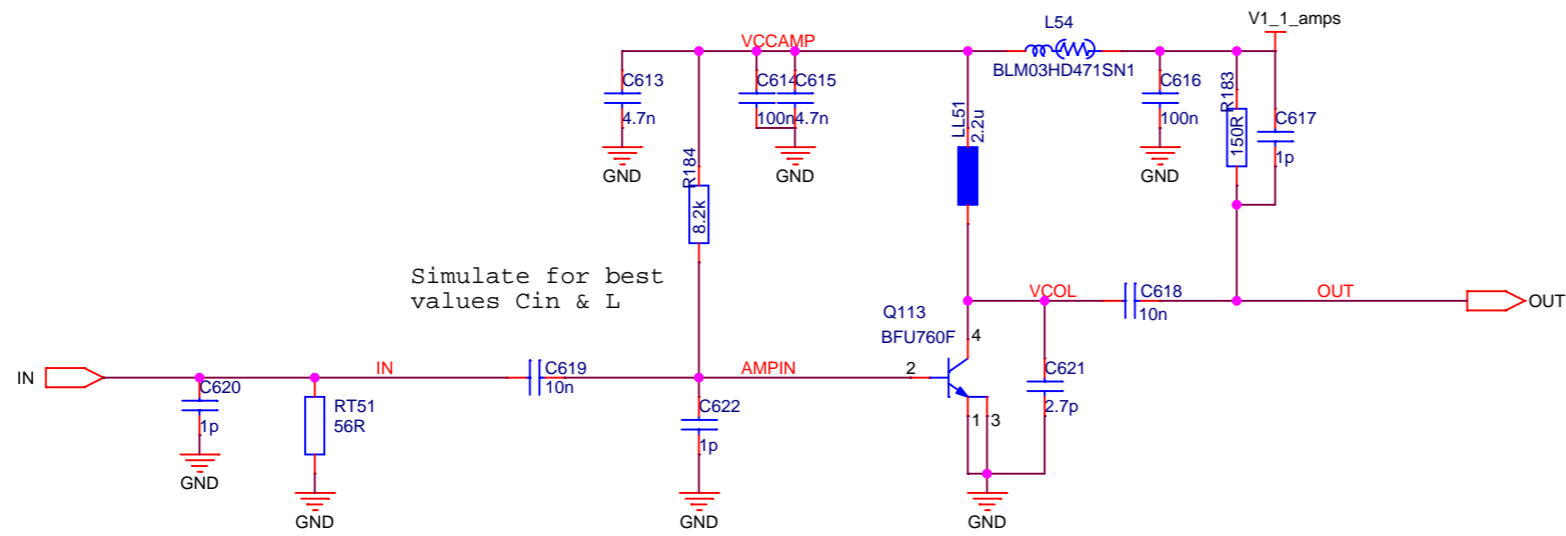


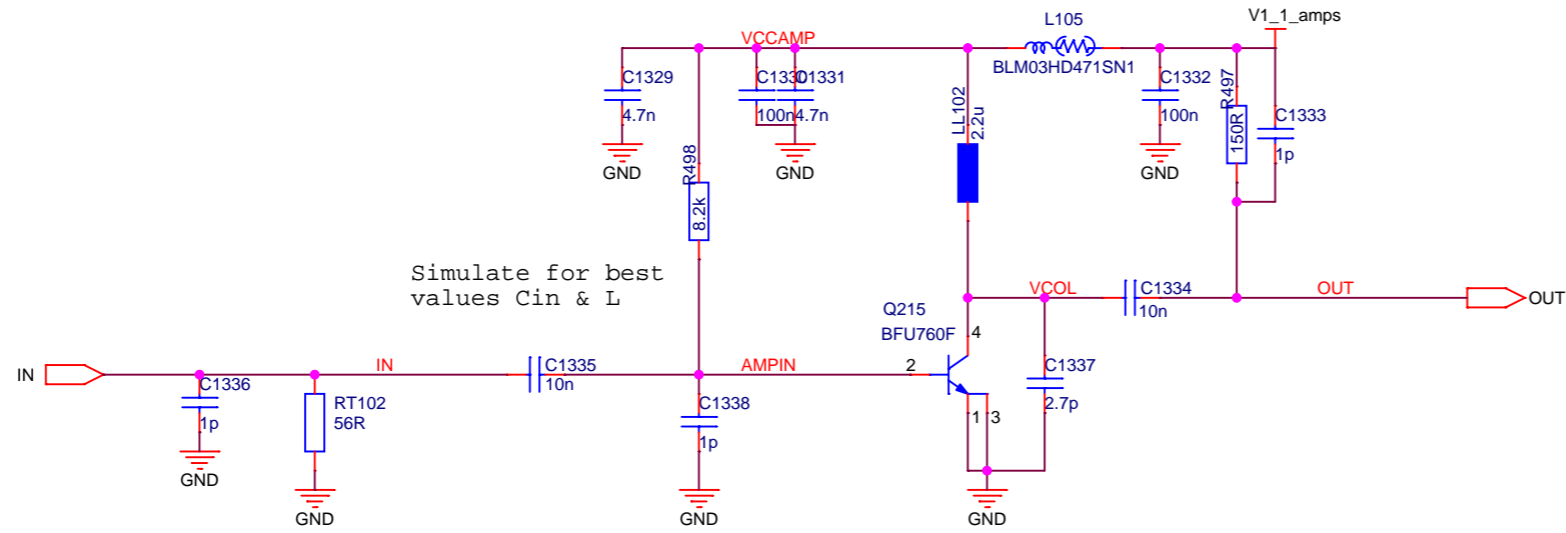




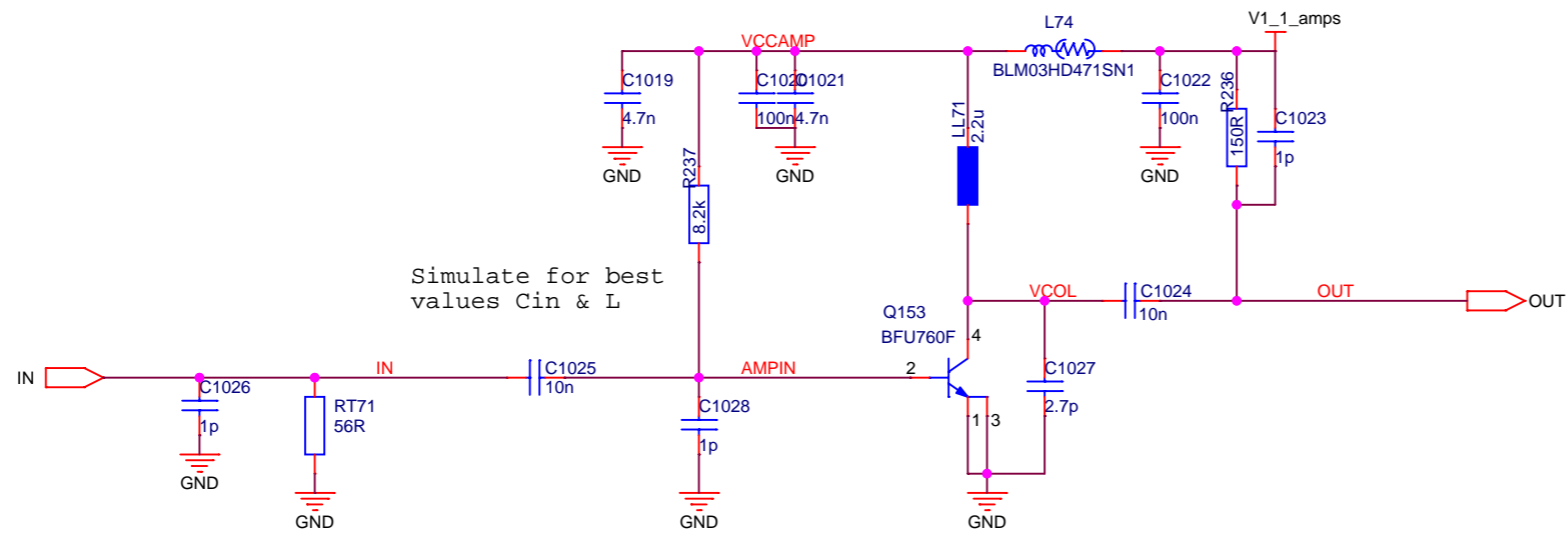


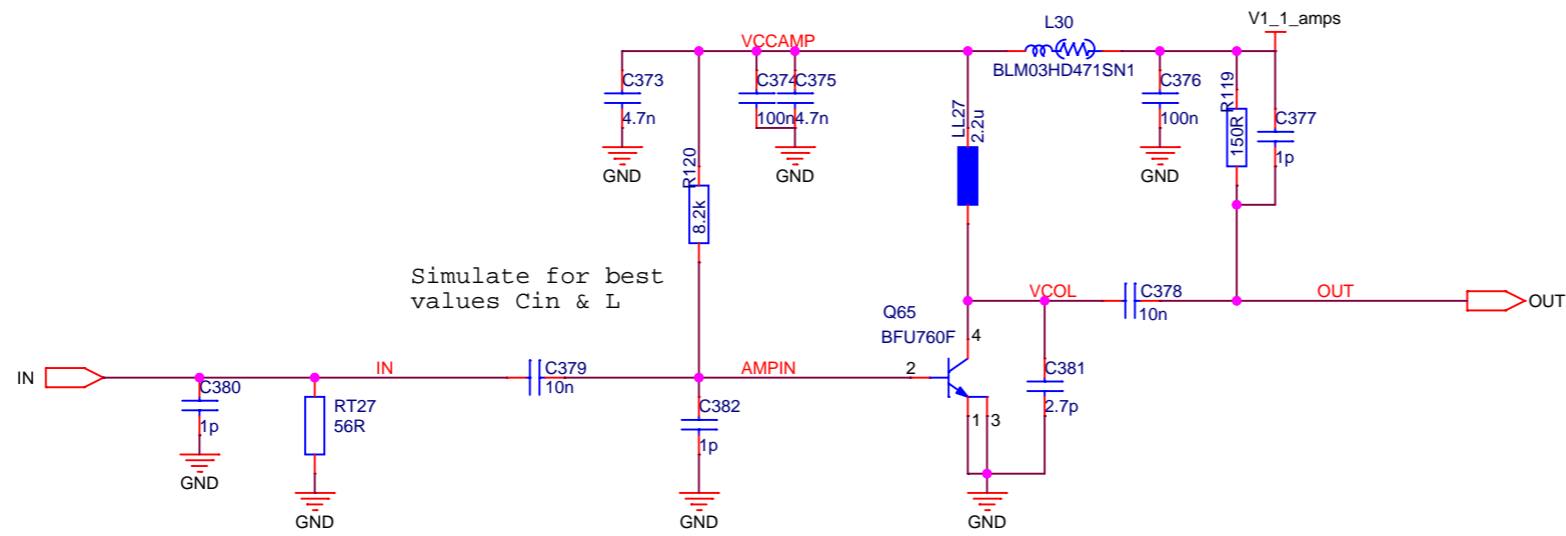
| | | |
|---|--|--------------------|
|  | Gesellschaft für Schwerionenforschung mbH Planckstrasse 1 D-64291 Darmstadt GERMANY www.gsi.de | |
| | 2 CHANNEL CHARGE & TIMING INPUT STAGE | |
| Design: K:\GSI\JOB\SCIFI\SCIFI_652_AMP1\SCIFI_652_AMP1.DSN | | Size: A3 |
| Modified: Thursday, March 06, 2025 | | Page: 1 / 12 |
| Designer: H. Haggren | | Layouter: H. Kavan |



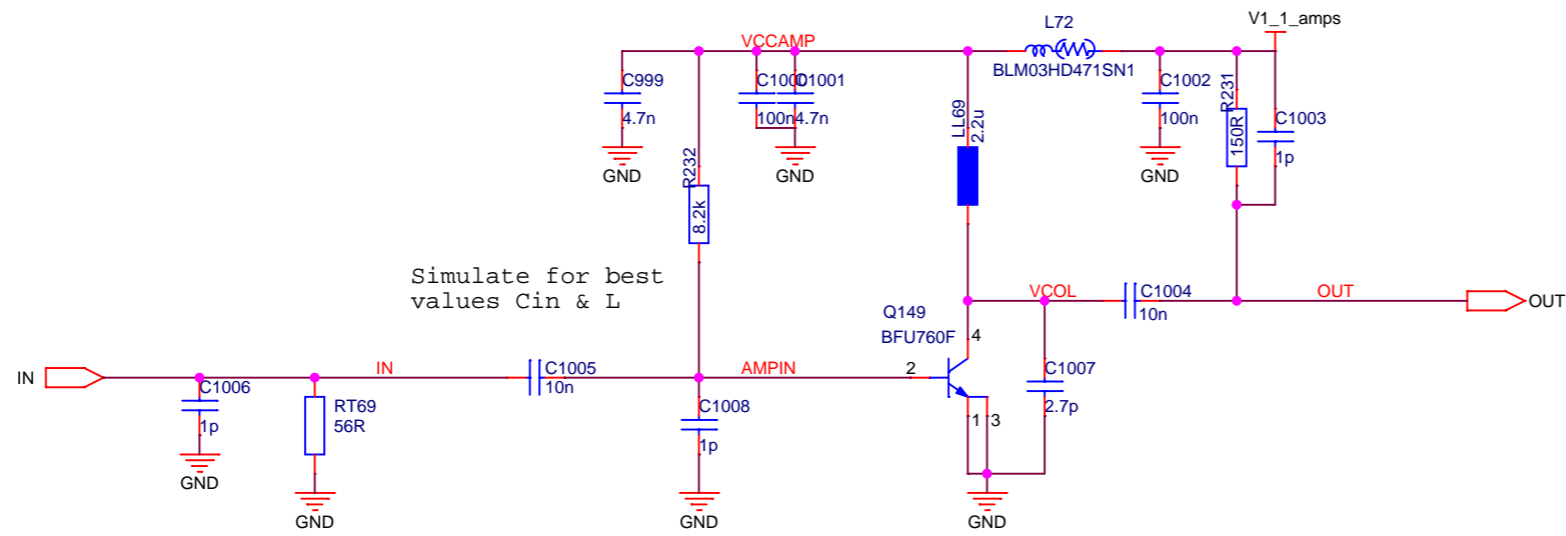


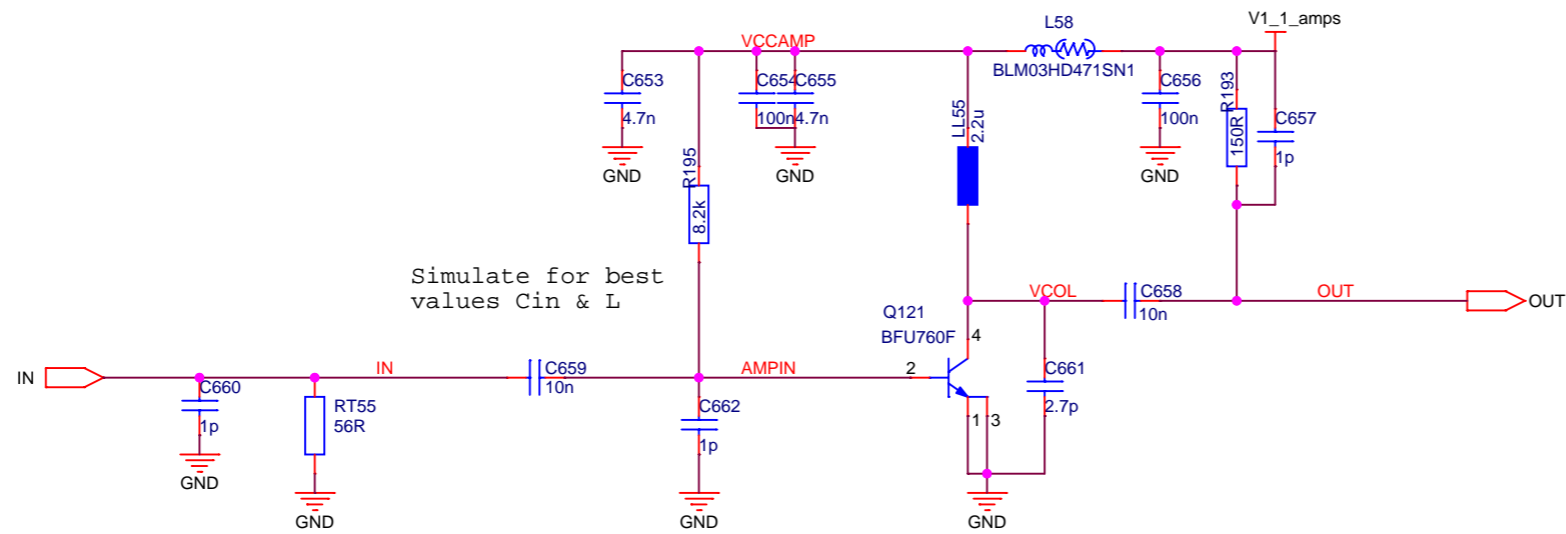
| | | |
|---|--|--------------------|
|  | Gesellschaft für Schwerionenforschung mbH Planckstrasse 1 D-64291 Darmstadt GERMANY www.gsi.de | |
| | 2 CHANNEL CHARGE & TIMING INPUT STAGE | |
| Design: K:\GSI\JOB\SCIF\SCIFI_652_AMP1\SCIFI_652_AMP1.DSN | | Size: A3 |
| Modified: Thursday, March 06, 2025 | | Page: 1 / 12 |
| Designer: H. Haggren | | Layouter: H. Kavan |

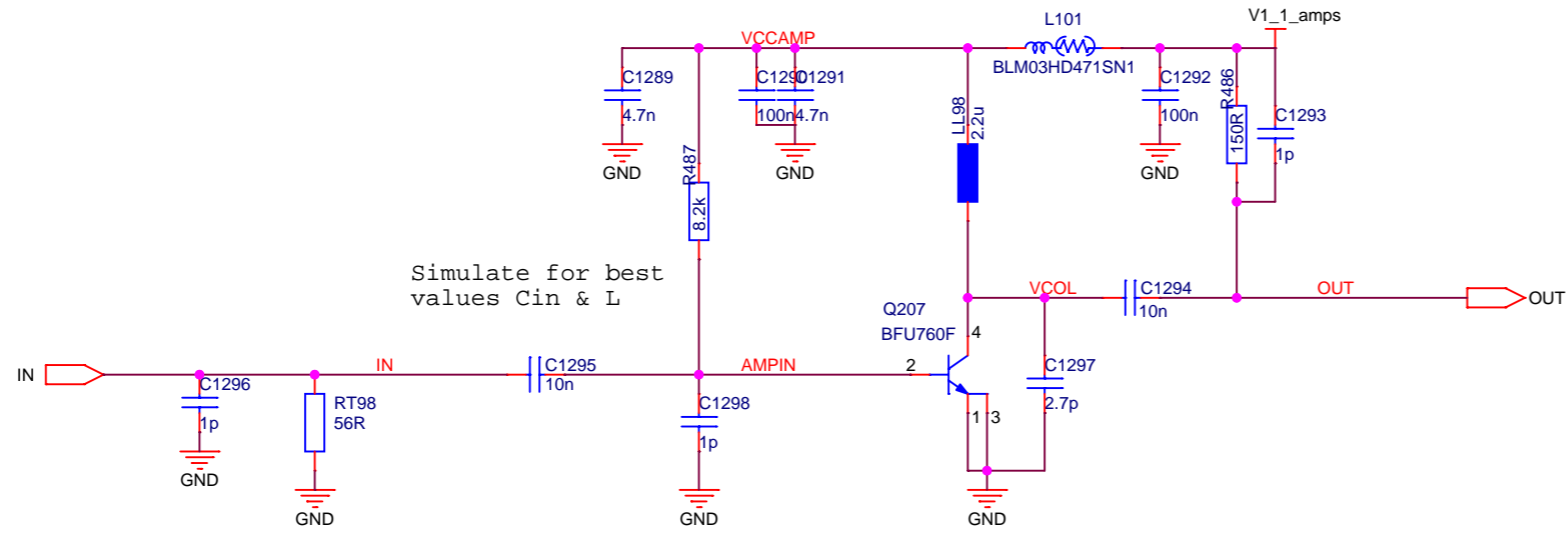




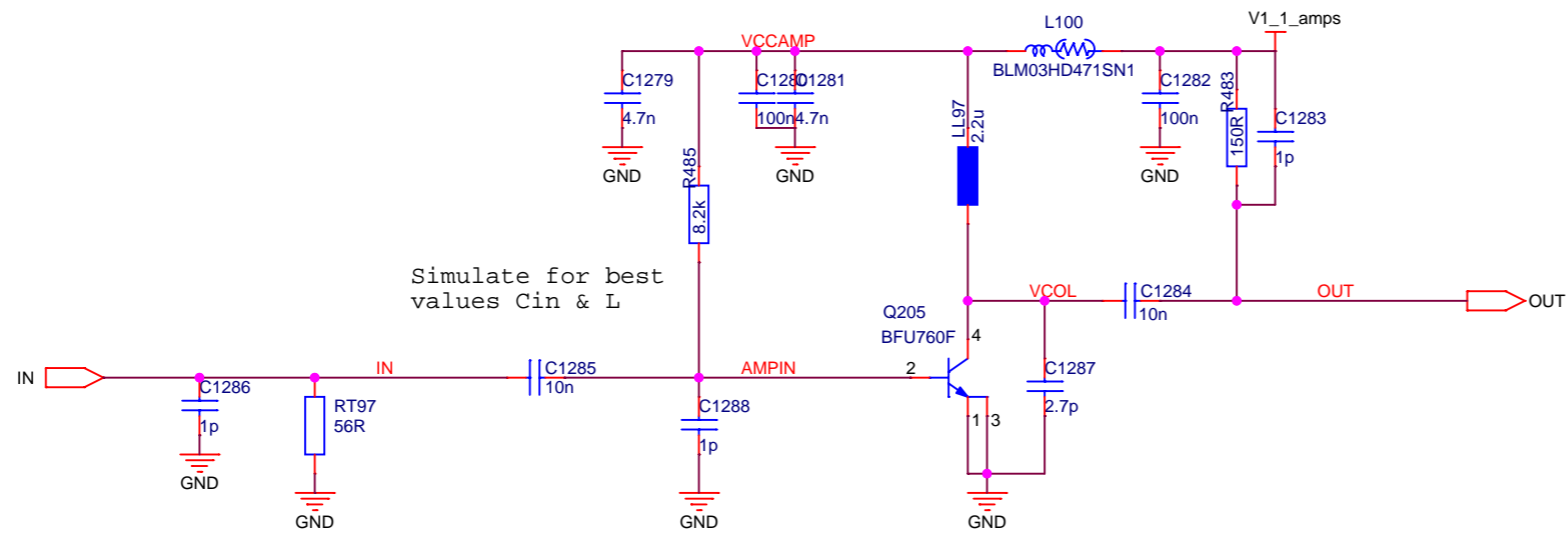
| | | |
|---|--|--------------------|
|  | Gesellschaft für Schwerionenforschung mbH Planckstrasse 1 D-64291 Darmstadt GERMANY www.gsi.de | |
| | 2 CHANNEL CHARGE & TIMING INPUT STAGE | |
| Design: K:\GSI\JOB\SCIF\SCIFI_652_AMP1\SCIFI_652_AMP1.DSN | | Size: A3 |
| Modified: Thursday, March 06, 2025 | | Page: 1 / 12 |
| Designer: H. Haggren | | Layouter: H. Kavan |

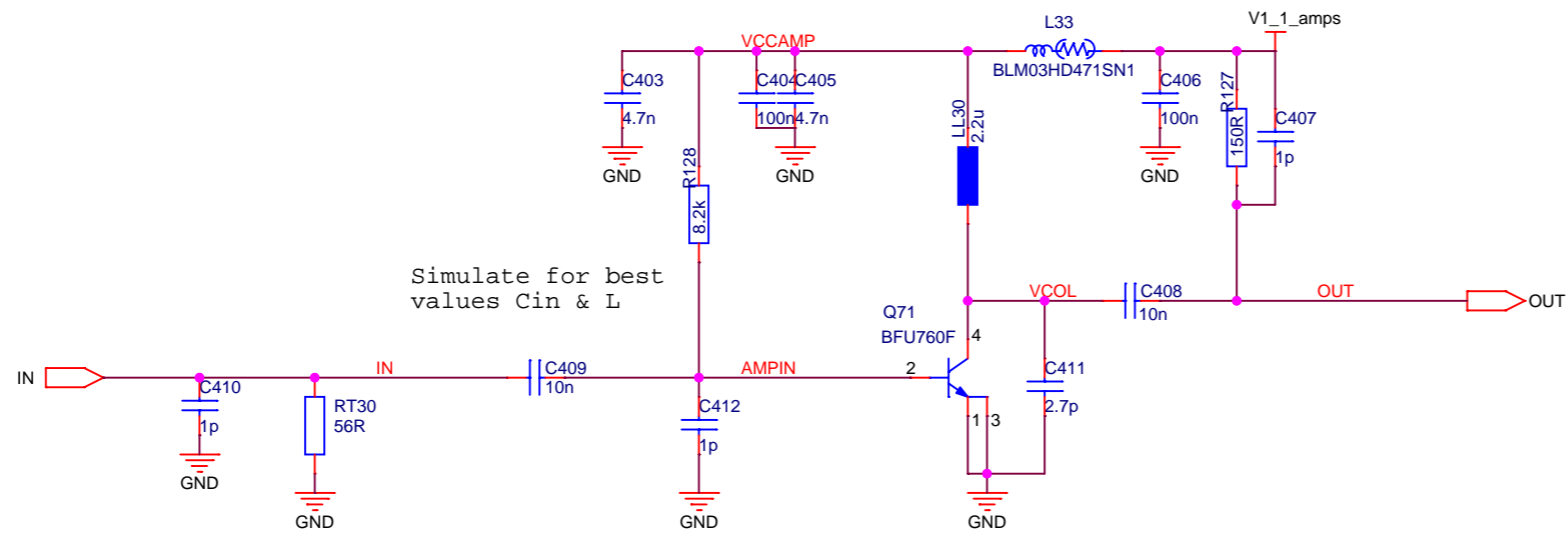


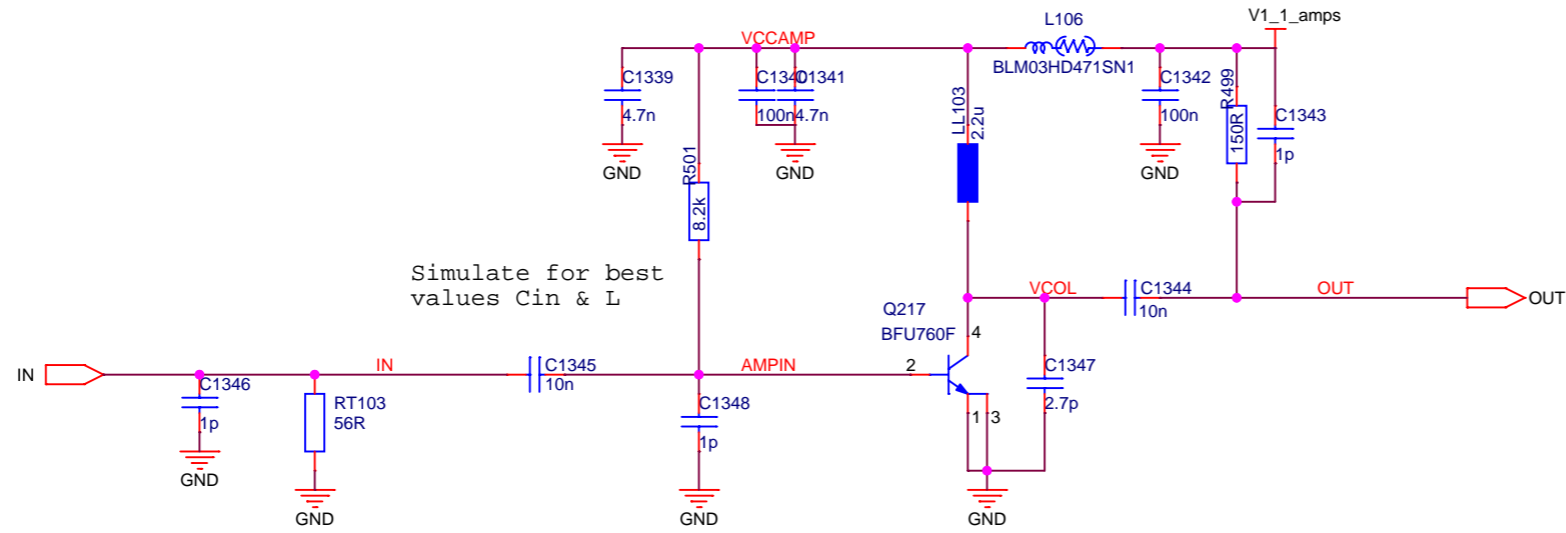




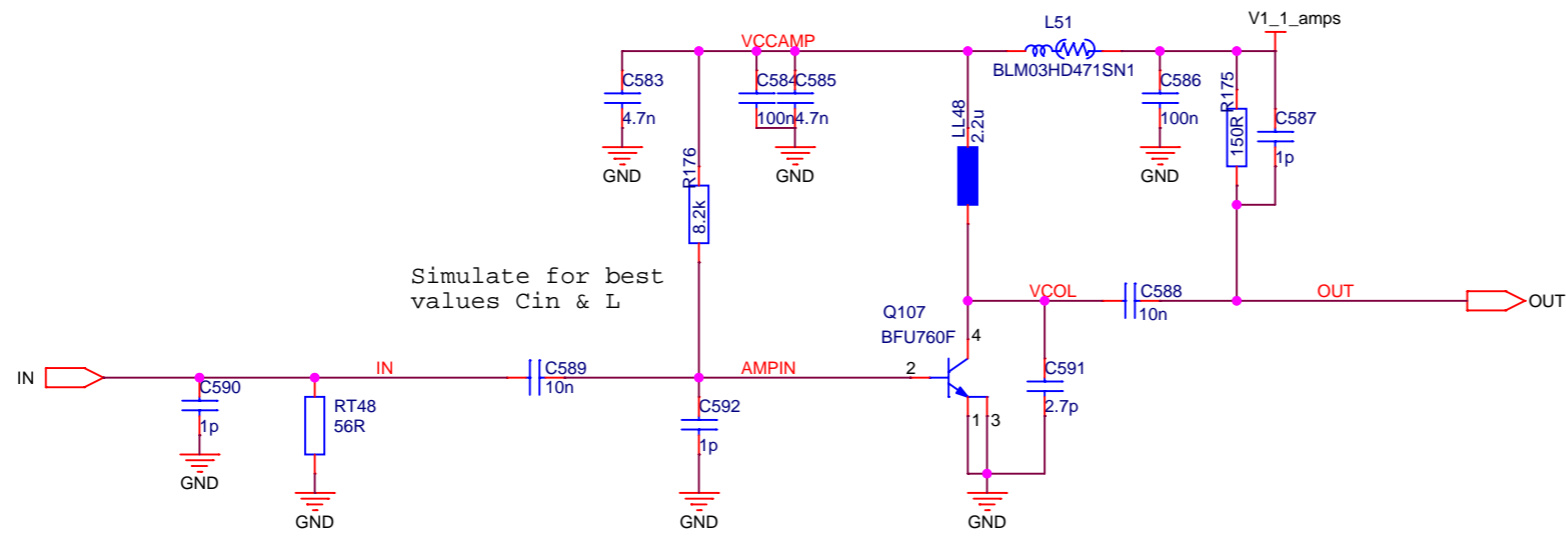
| | | |
|---|--|--------------------|
|  | Gesellschaft für Schwerionenforschung mbH Planckstrasse 1 D-64291 Darmstadt GERMANY www.gsi.de | |
| | 2 CHANNEL CHARGE & TIMING INPUT STAGE | |
| Design: K:\GSI\JOB\SCIF\SCIFI_652_AMP1\SCIFI_652_AMP1.DSN | | Size: A3 |
| Modified: Thursday, March 06, 2025 | | Page: 1 / 12 |
| Designer: H. Haggan | | Layouter: H. Kavan |



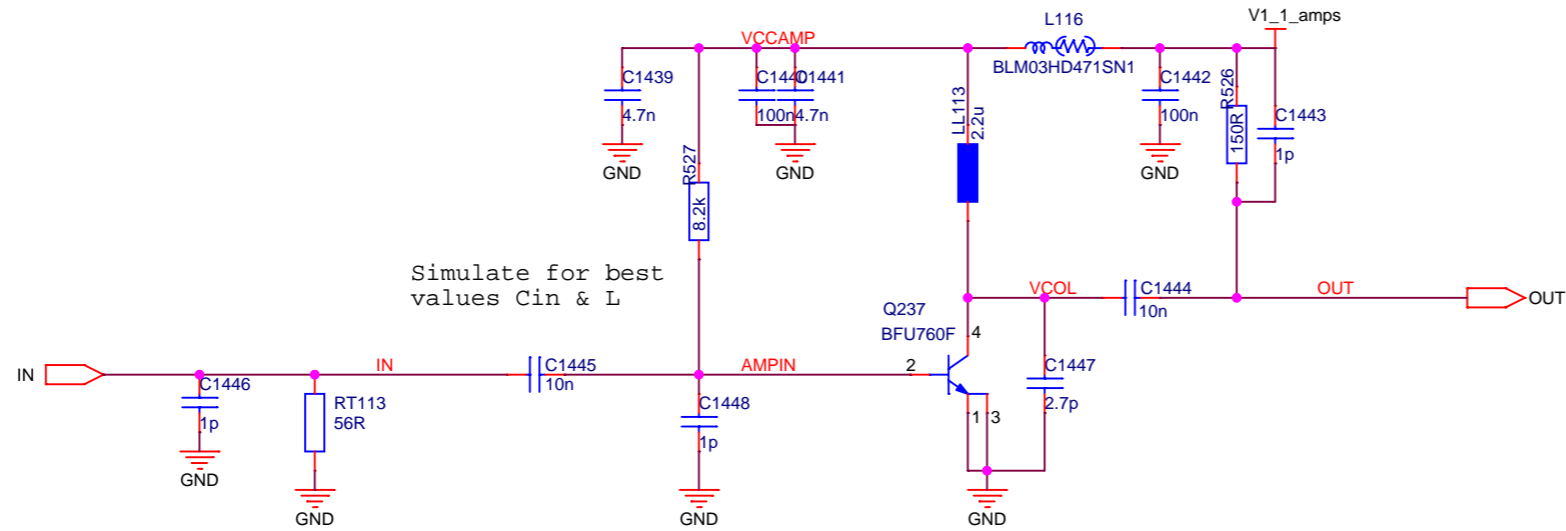




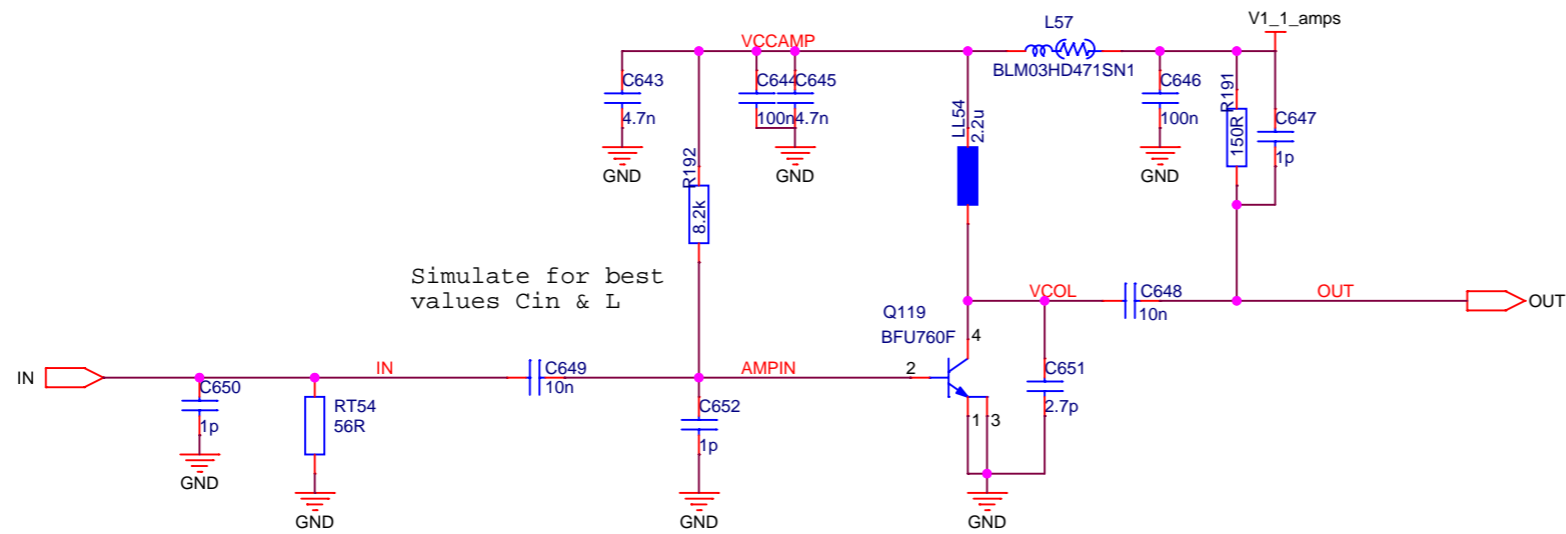
| | | |
|---|--|--------------------|
|  | Gesellschaft für Schwerionenforschung mbH Planckstrasse 1 D-64291 Darmstadt GERMANY www.gsi.de | |
| | 2 CHANNEL CHARGE & TIMING INPUT STAGE | |
| Design: K:\GSI\JOB\SCIF\SCIFI_652_AMP1\SCIFI_652_AMP1.DSN | | Size: A3 |
| Modified: Thursday, March 06, 2025 | | Page: 1 / 12 |
| Designer: H. Haggren | | Layouter: H. Kavan |



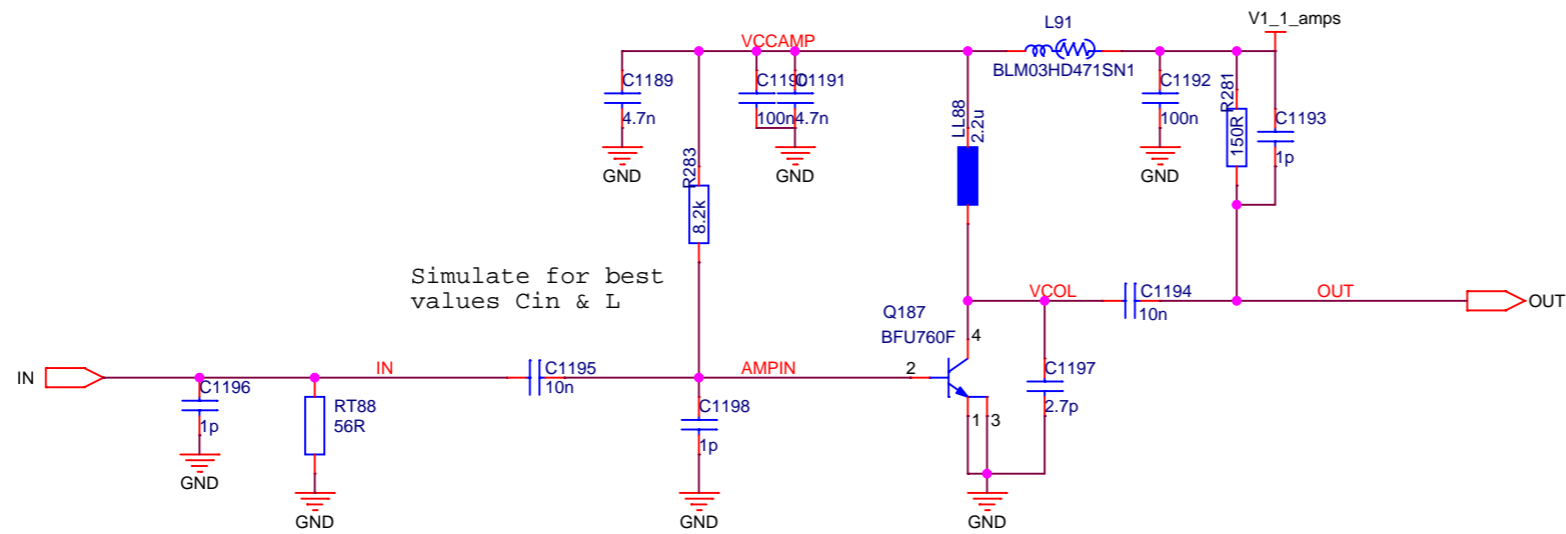
| | | |
|---|--|--------------------|
|  | Gesellschaft für Schwerionenforschung mbH Planckstrasse 1 D-64291 Darmstadt GERMANY www.gsi.de | |
| | 2 CHANNEL CHARGE & TIMING INPUT STAGE | |
| Design: K:\GSI\JOB\SCIF\SCIFI_652_AMP1\SCIFI_652_AMP1.DSN | | Size: A3 |
| Modified: Thursday, March 06, 2025 | | Page: 1 / 12 |
| Designer: H. Haggan | | Layouter: H. Kavan |

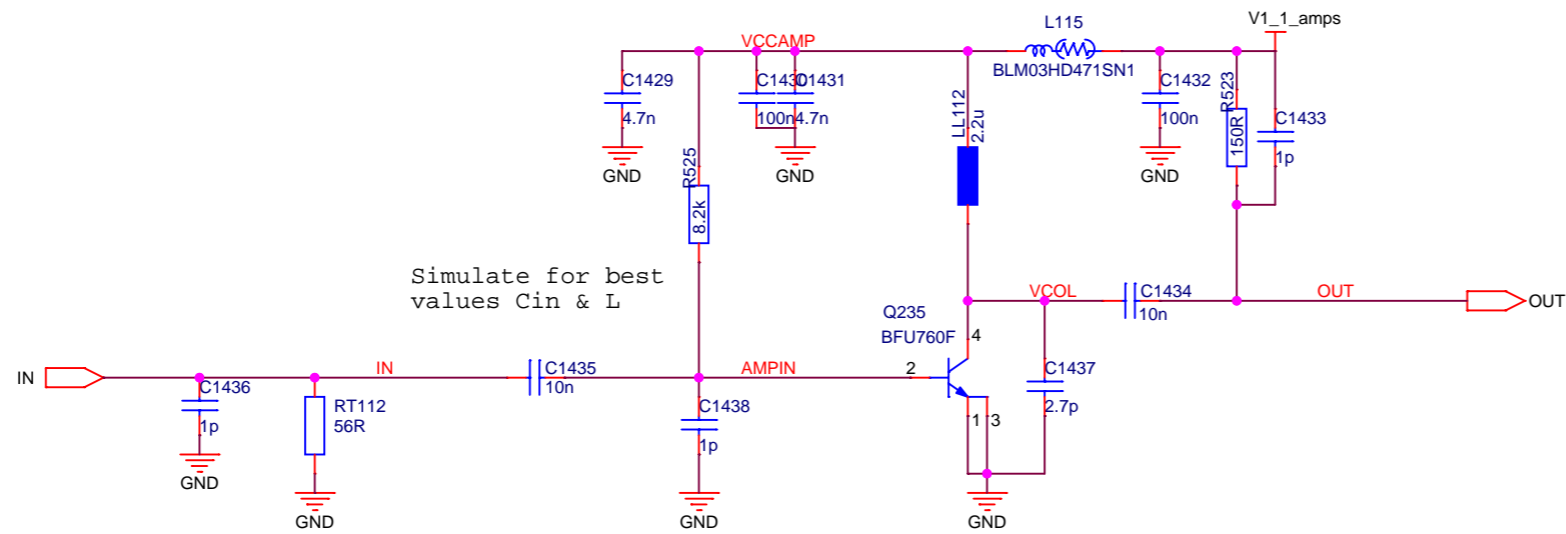


| | | |
|---|--|--------------------|
|  | Gesellschaft für Schwerionenforschung mbH Planckstrasse 1 D-64291 Darmstadt GERMANY www.gsi.de | |
| | 2 CHANNEL CHARGE & TIMING INPUT STAGE | |
| Design: K:\GSI\JOB\SCIF\SCIFI_652_AMP1\SCIFI_652_AMP1.DSN | | Size: A3 |
| Modified: Thursday, March 06, 2025 | | Page: 1 / 12 |
| Designer: H. Haggren | | Layouter: H. Kavan |

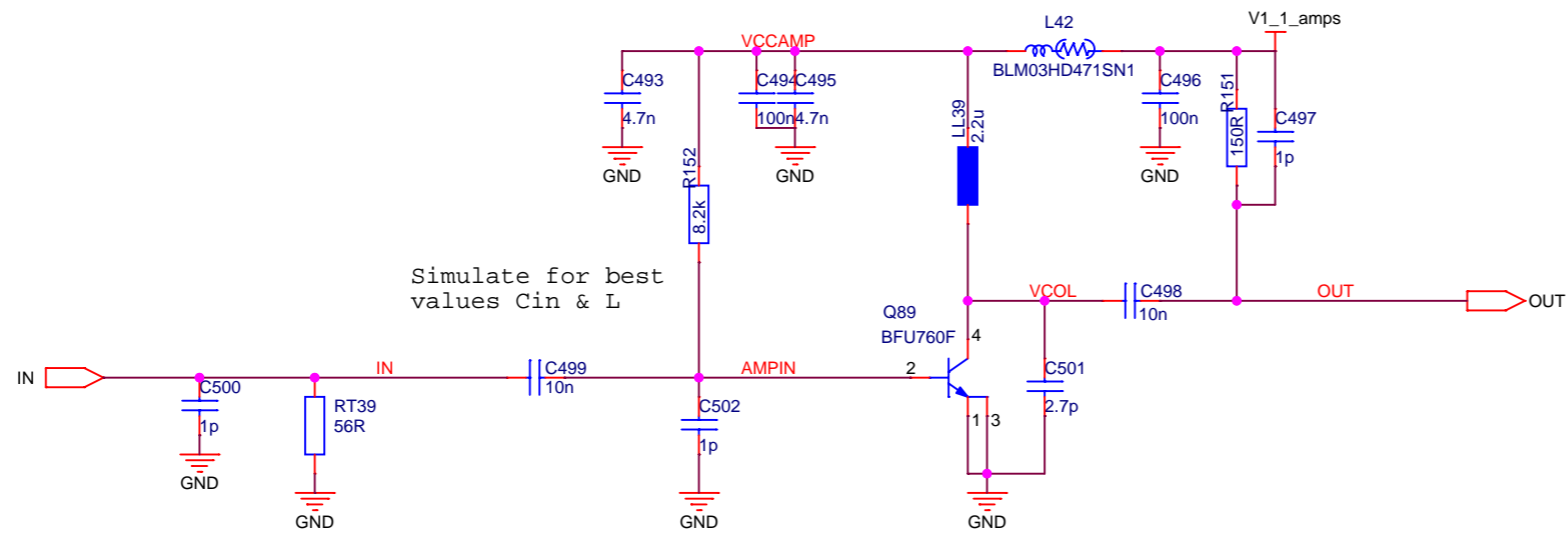


| | | |
|---|--|--------------|
|  | Gesellschaft für Schwerionenforschung mbH Planckstrasse 1 D-64291 Darmstadt GERMANY www.gsi.de | |
| | 2 CHANNEL CHARGE & TIMING INPUT STAGE | |
| Design: K:\GSI\JOB\SCIF\SCIFI_652_AMP1\SCIFI_652_AMP1.DSN Modified: Thursday, March 06, 2025 Designer: H. Haggren | Size: A3 Layouter: H. Kavan | Page: 1 / 12 |

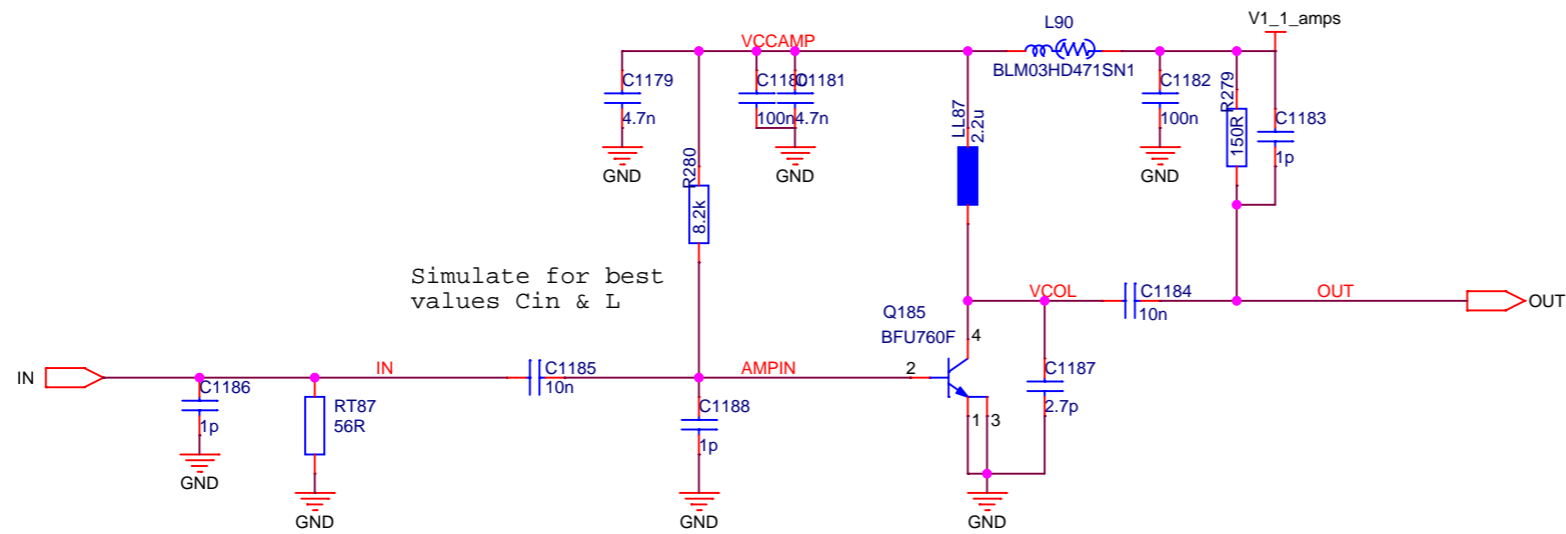


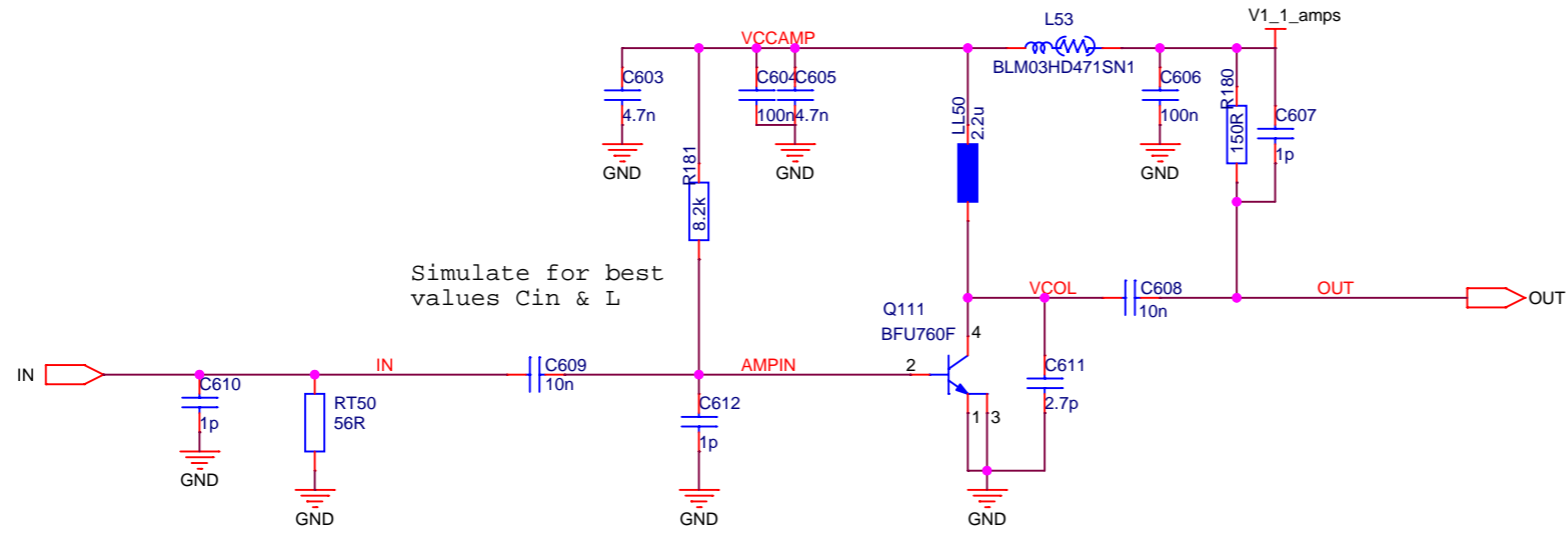


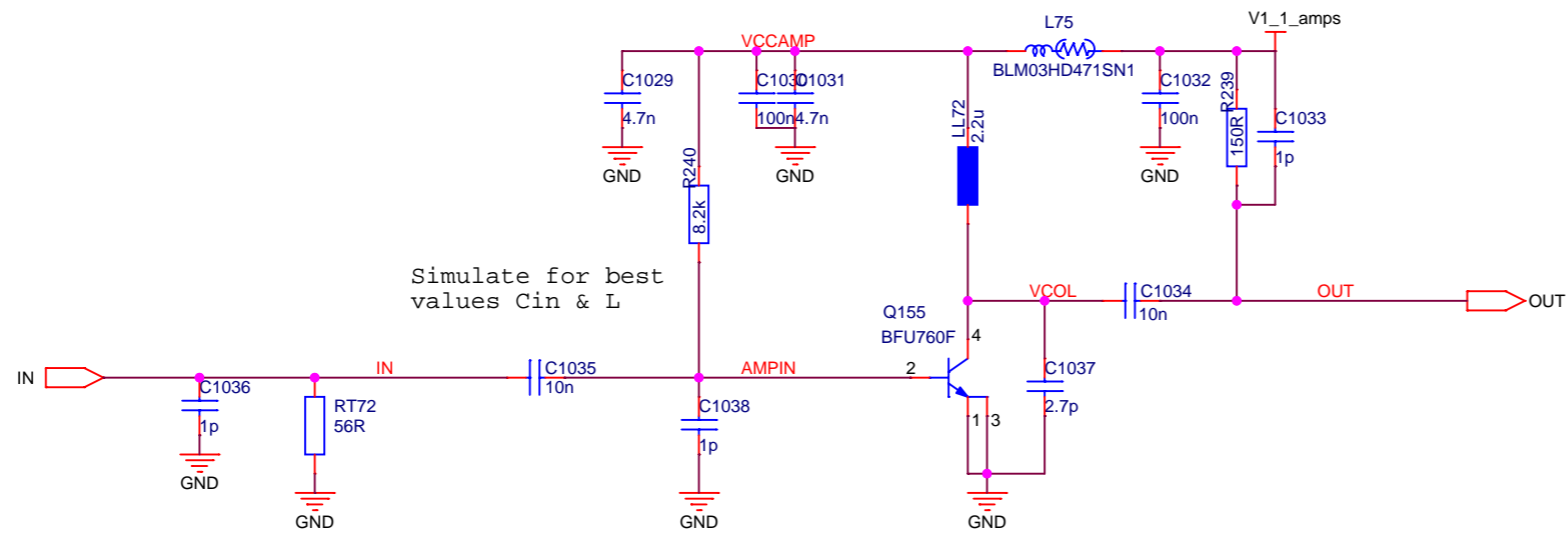
| | | |
|---|--|--------------------|
|  | Gesellschaft für Schwerionenforschung mbH Planckstrasse 1 D-64291 Darmstadt GERMANY www.gsi.de | |
| | 2 CHANNEL CHARGE & TIMING INPUT STAGE | |
| Design: K:\GSI\JOB\SCIF\SCIFI_652_AMP1\SCIFI_652_AMP1.DSN | | Size: A3 |
| Modified: Thursday, March 06, 2025 | | Page: 1 / 12 |
| Designer: H. Haggren | | Layouter: H. Kavan |

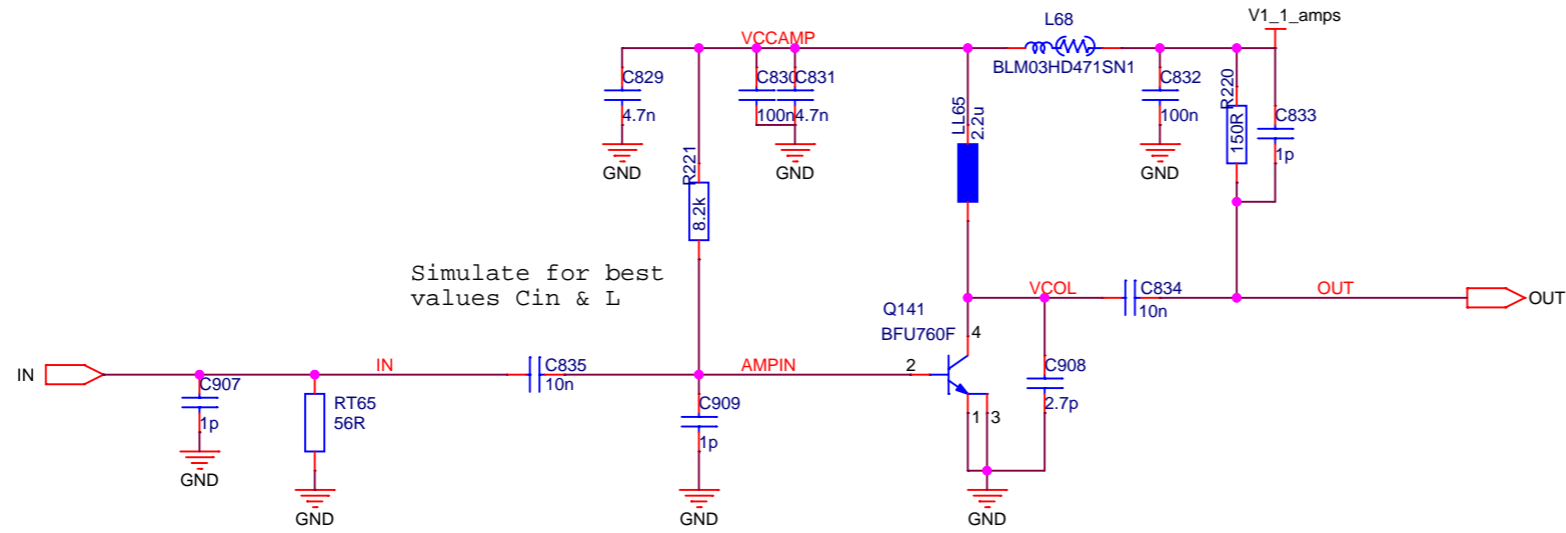


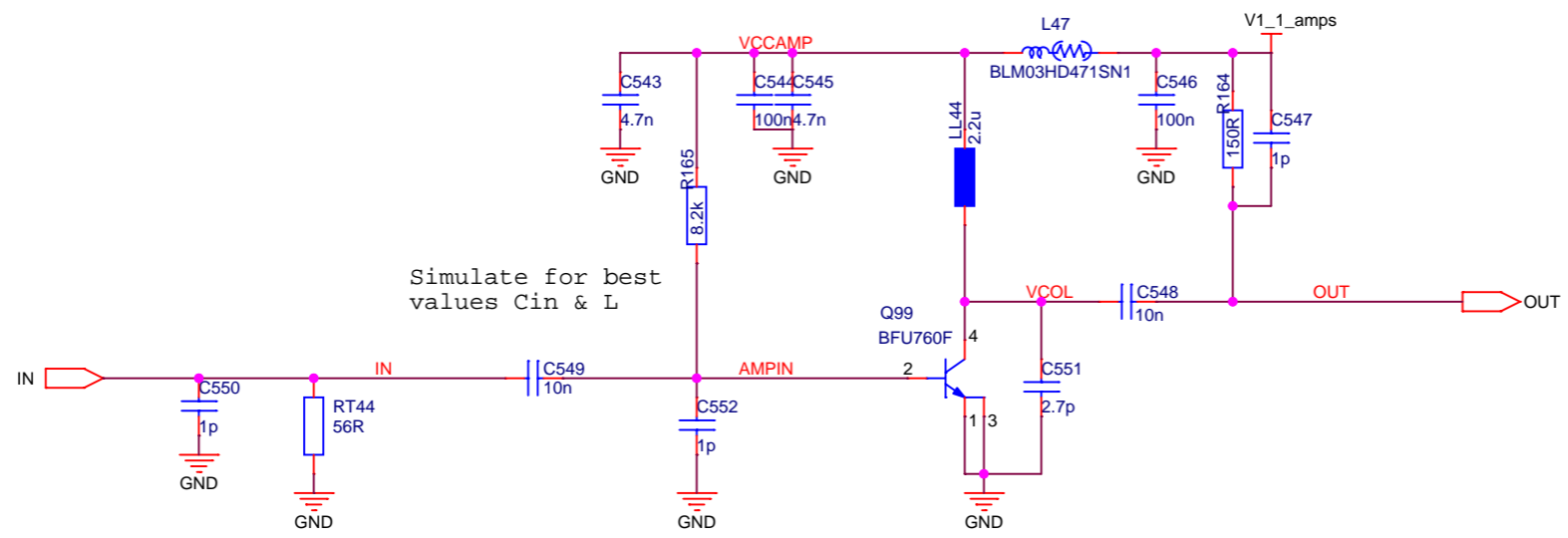
| | | |
|---|--|--------------------|
|  | Gesellschaft für Schwerionenforschung mbH Planckstrasse 1 D-64291 Darmstadt GERMANY www.gsi.de | |
| | 2 CHANNEL CHARGE & TIMING INPUT STAGE | |
| Design: K:\GSI\JOB\SCIF\SCIFI_652_AMP1\SCIFI_652_AMP1.DSN | | Size: A3 |
| Modified: Thursday, March 06, 2025 | | Page: 1 / 12 |
| Designer: H. Haggren | | Layouter: H. Kavan |

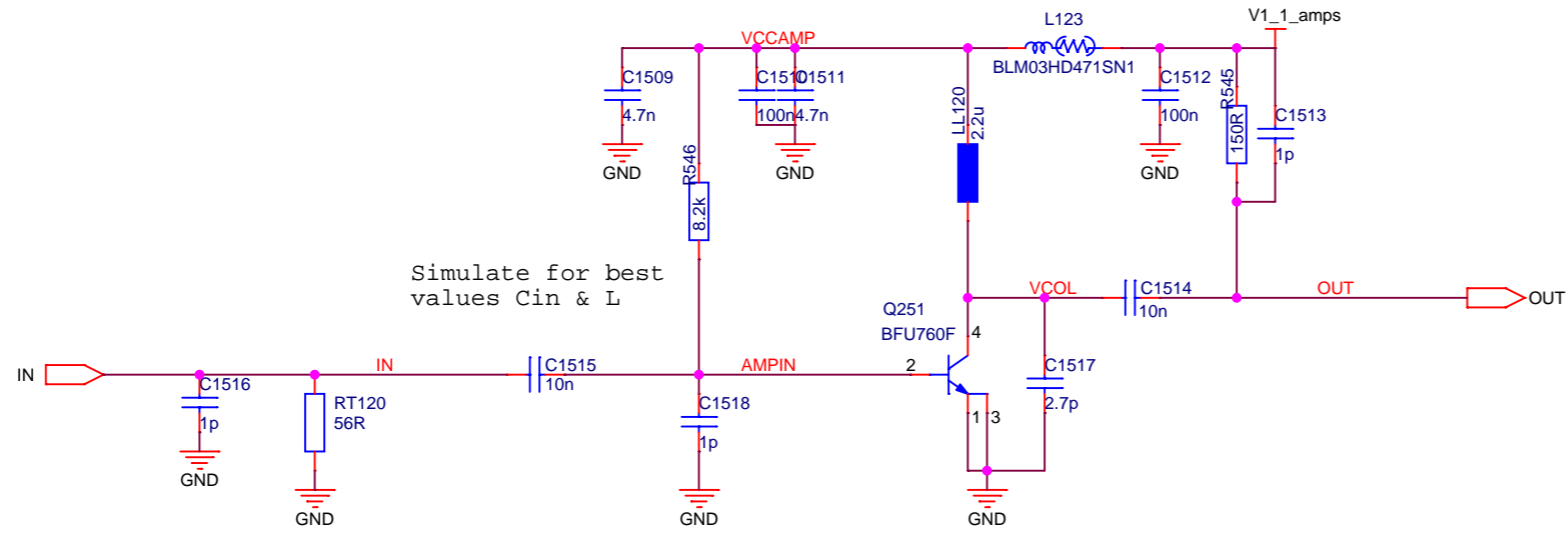




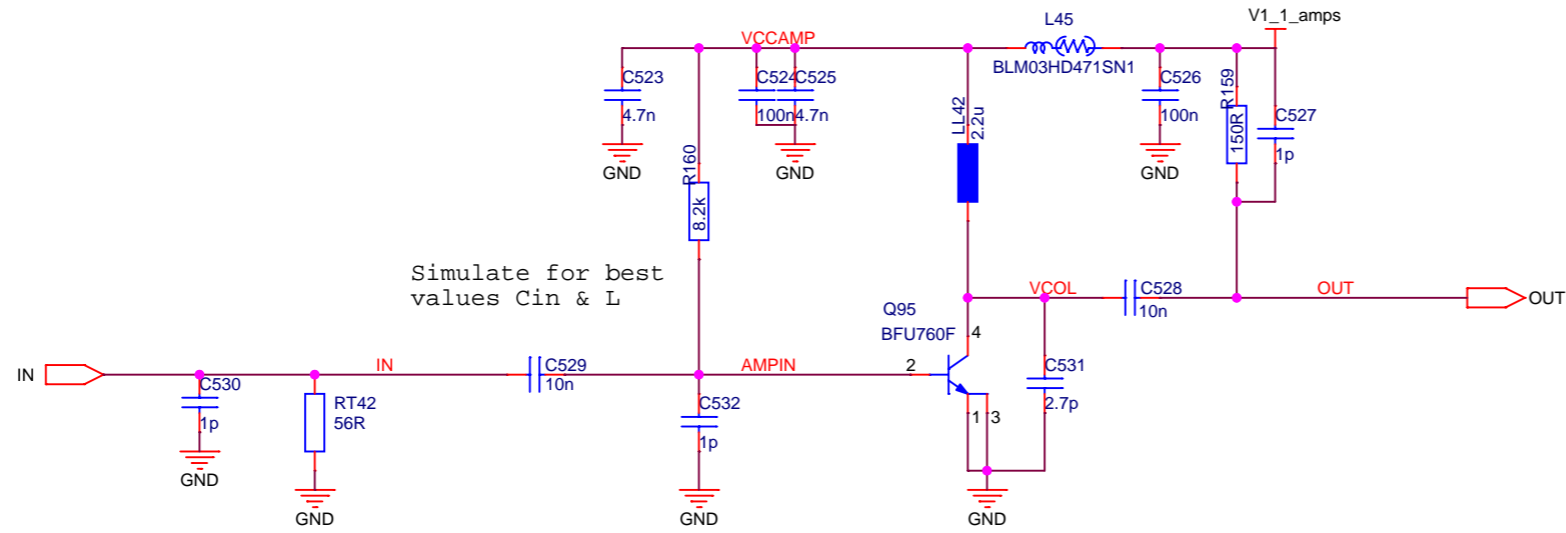


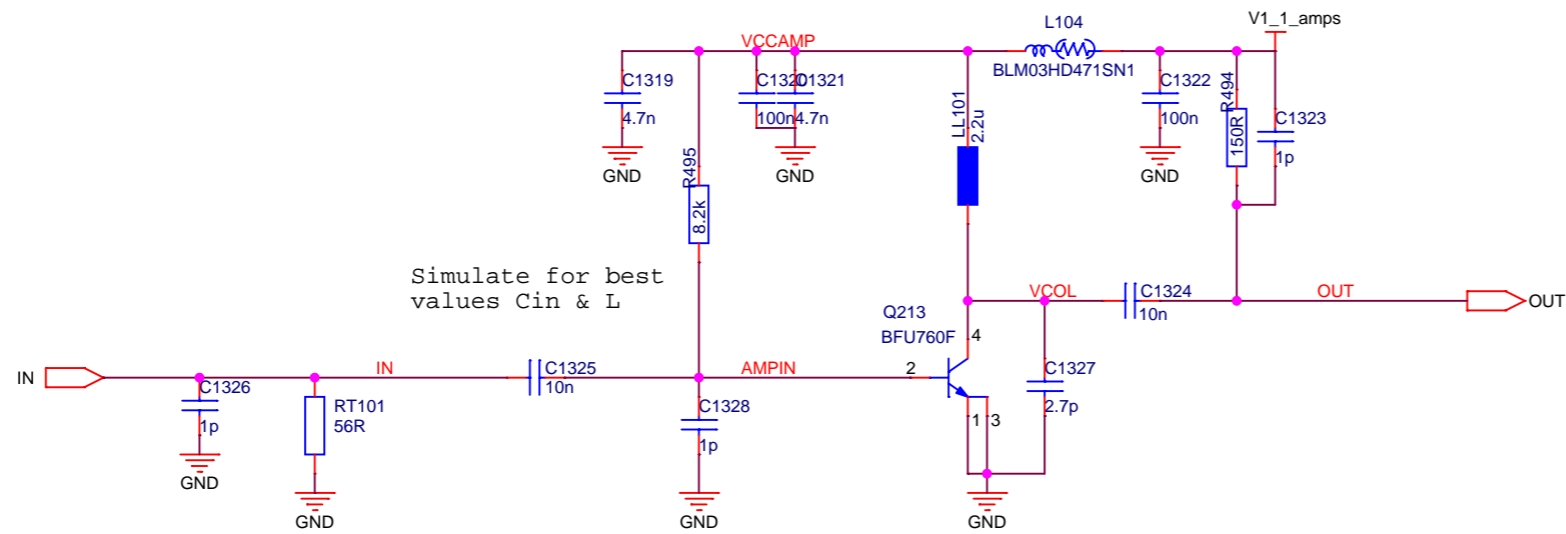




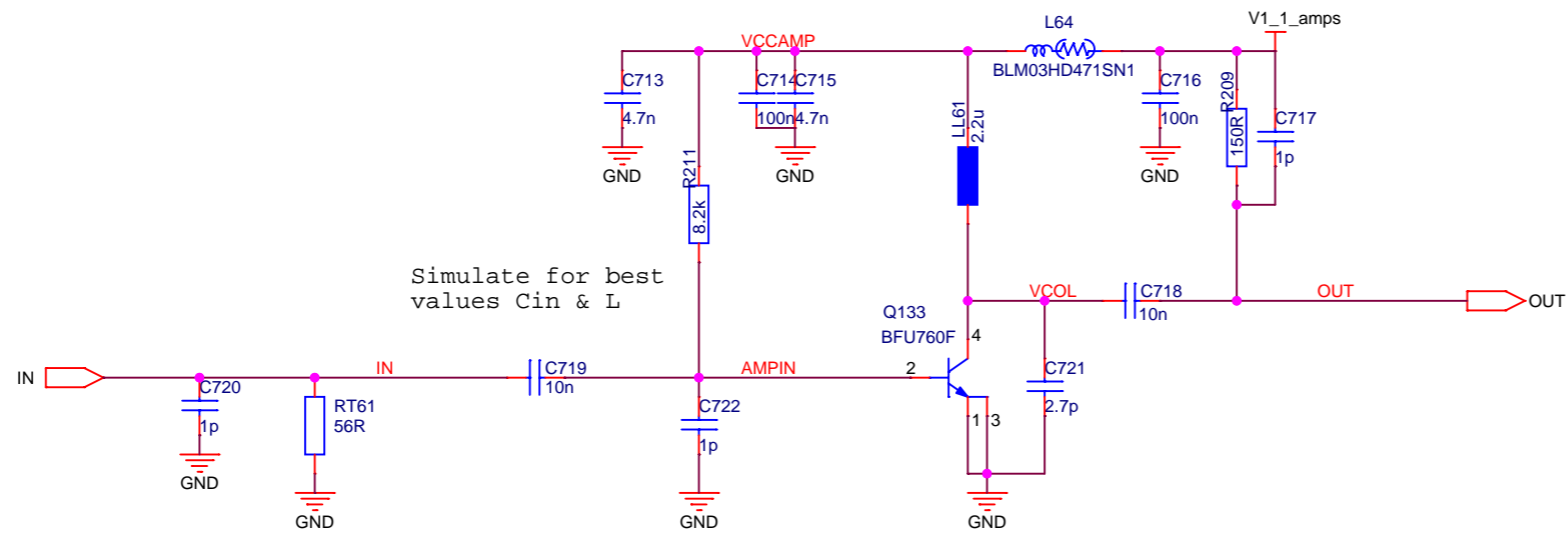


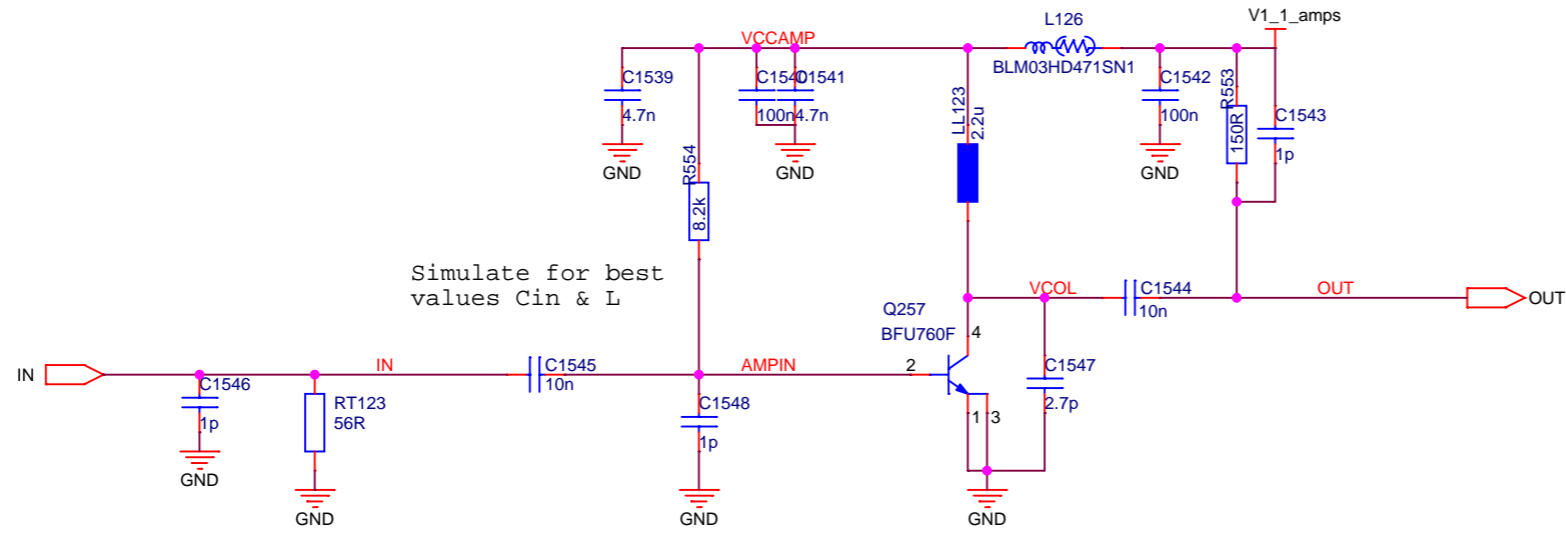
| | | |
|---|--|--------------------|
|  | Gesellschaft für Schwerionenforschung mbH Planckstrasse 1 D-64291 Darmstadt GERMANY www.gsi.de | |
| | 2 CHANNEL CHARGE & TIMING INPUT STAGE | |
| Design: K:\GSI\JOB\SCIF\SCIFI_652_AMP1\SCIFI_652_AMP1.DSN | | Size: A3 |
| Modified: Thursday, March 06, 2025 | | Page: 1 / 12 |
| Designer: H. Haggren | | Layouter: H. Kavan |



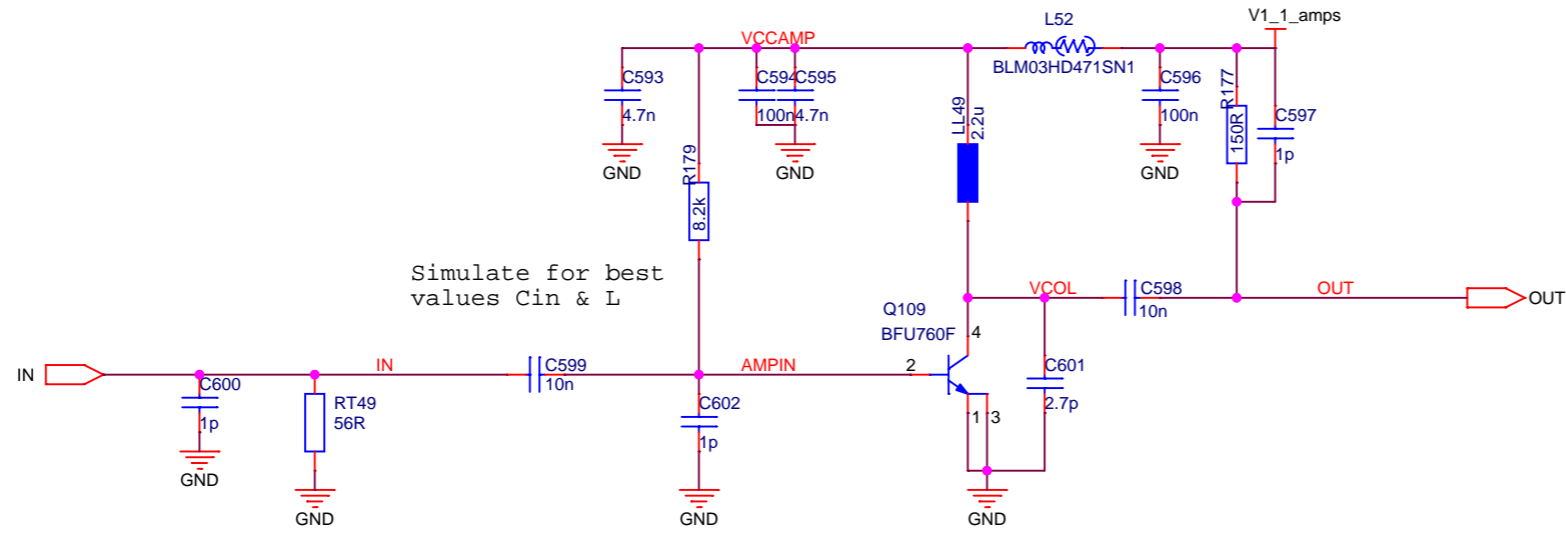


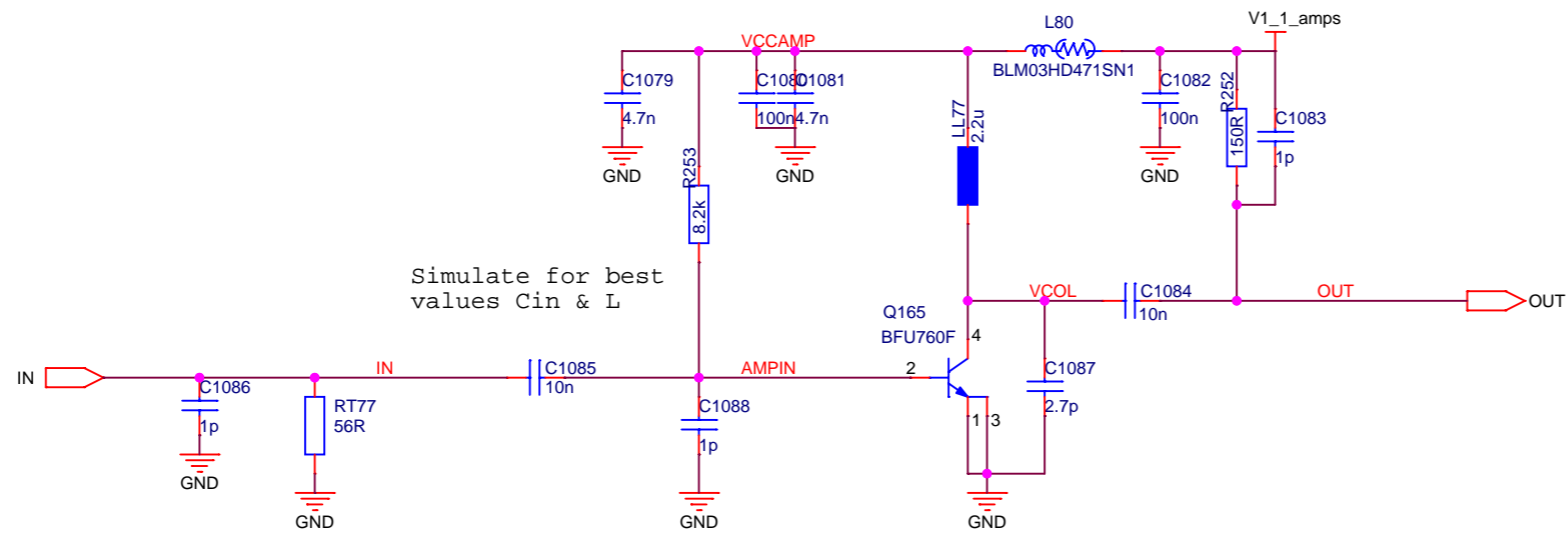
| | | |
|---|--|--------------------|
|  | Gesellschaft für Schwerionenforschung mbH Planckstrasse 1 D-64291 Darmstadt GERMANY www.gsi.de | |
| | 2 CHANNEL CHARGE & TIMING INPUT STAGE | |
| Design: K:\GSI\JOB\SCIFI\SCIFI_652_AMP1\SCIFI_652_AMP1.DSN | | Size: A3 |
| Modified: Thursday, March 06, 2025 | | Page: 1 / 12 |
| Designer: H. Haggren | | Layouter: H. Kavan |

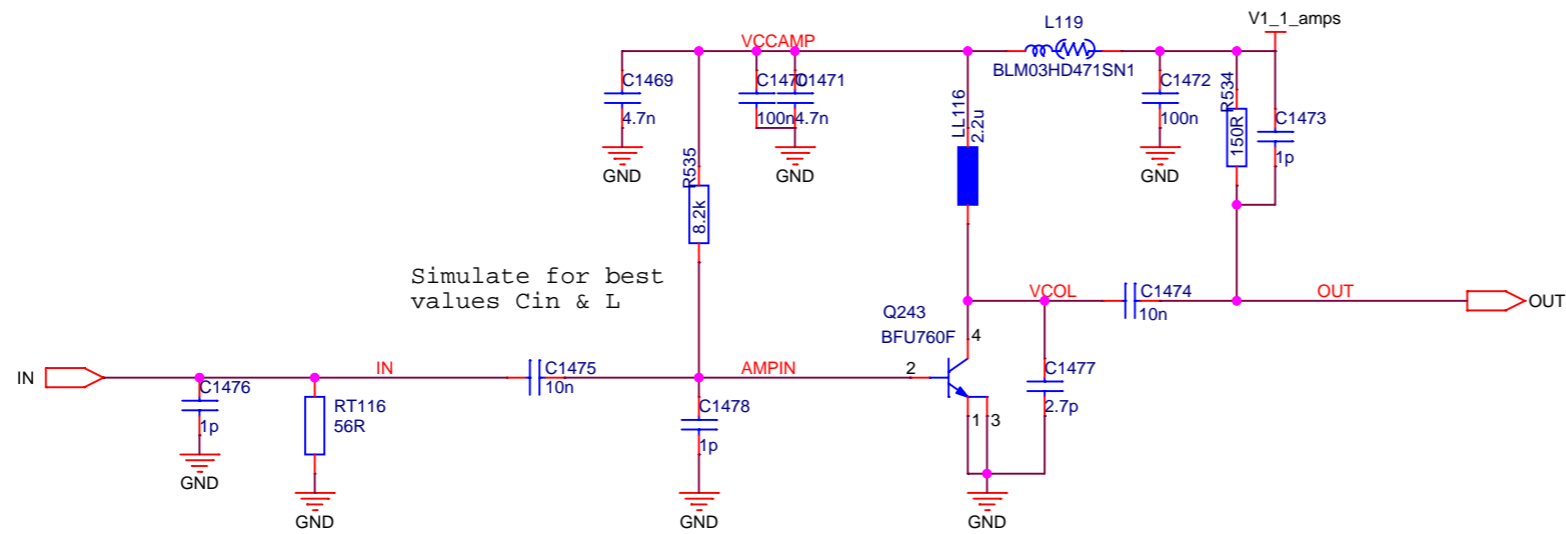


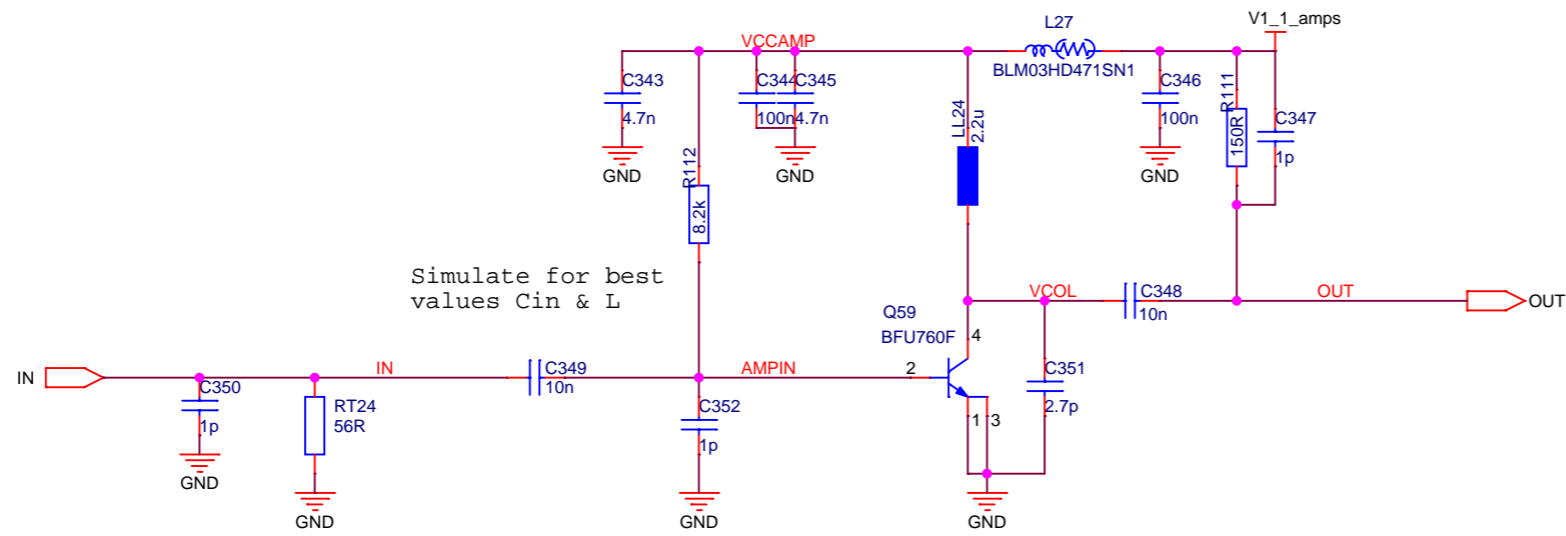



| | | |
|---|--|--------------------|
|  | Gesellschaft für Schwerionenforschung mbH Planckstrasse 1 D-64291 Darmstadt GERMANY www.gsi.de | |
| | 2 CHANNEL CHARGE & TIMING INPUT STAGE | |
| Design: K:\GSI\JOB\SCIFI\SCIFI_652_AMP1\SCIFI_652_AMP1.DSN | | Size: A3 |
| Modified: Thursday, March 06, 2025 | | Page: 1 / 12 |
| Designer: H. Haggren | | Layouter: H. Kavan |

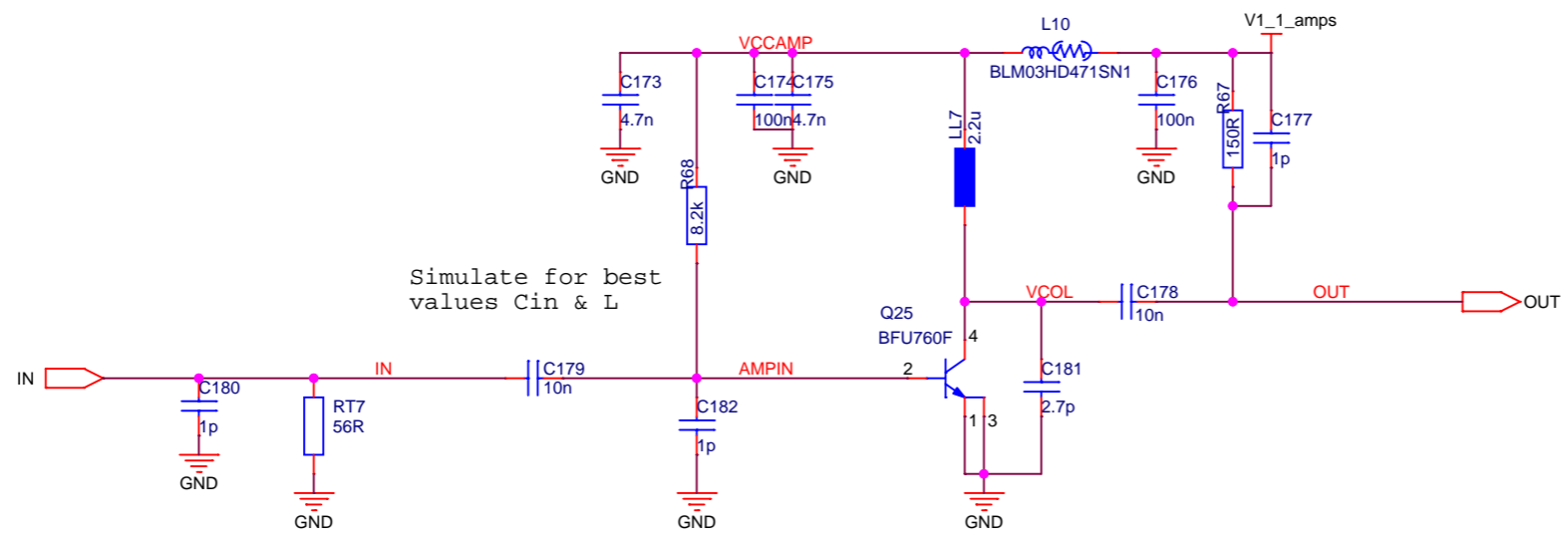




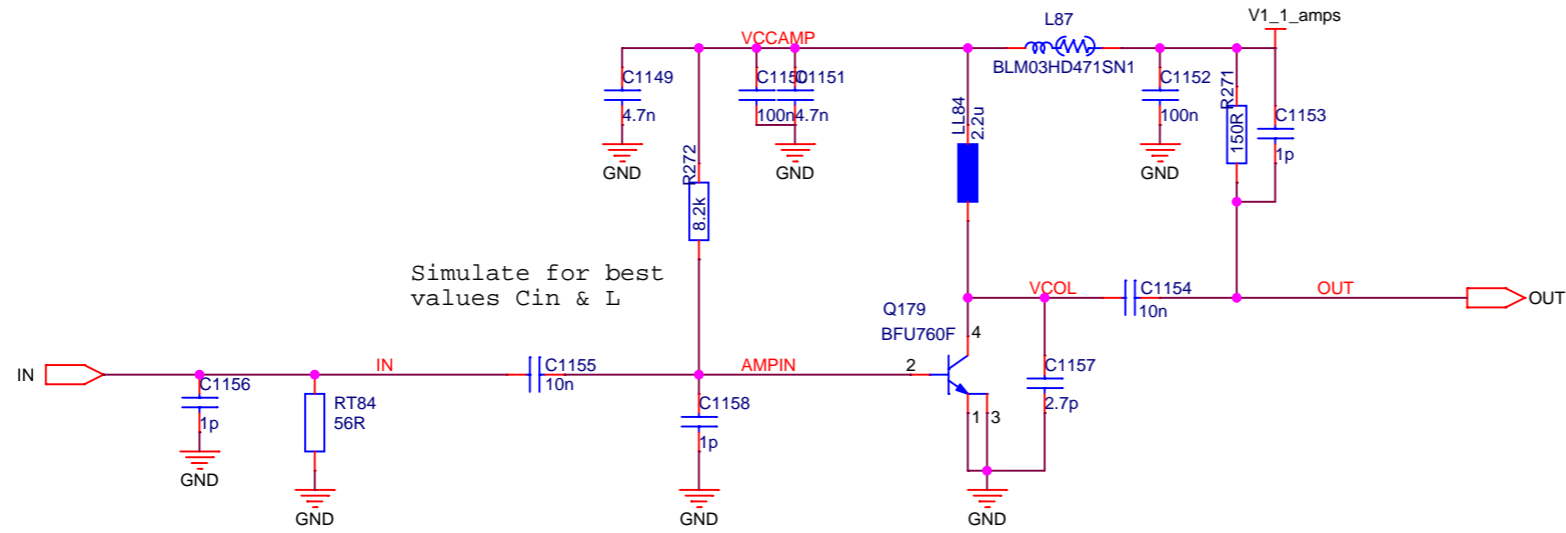




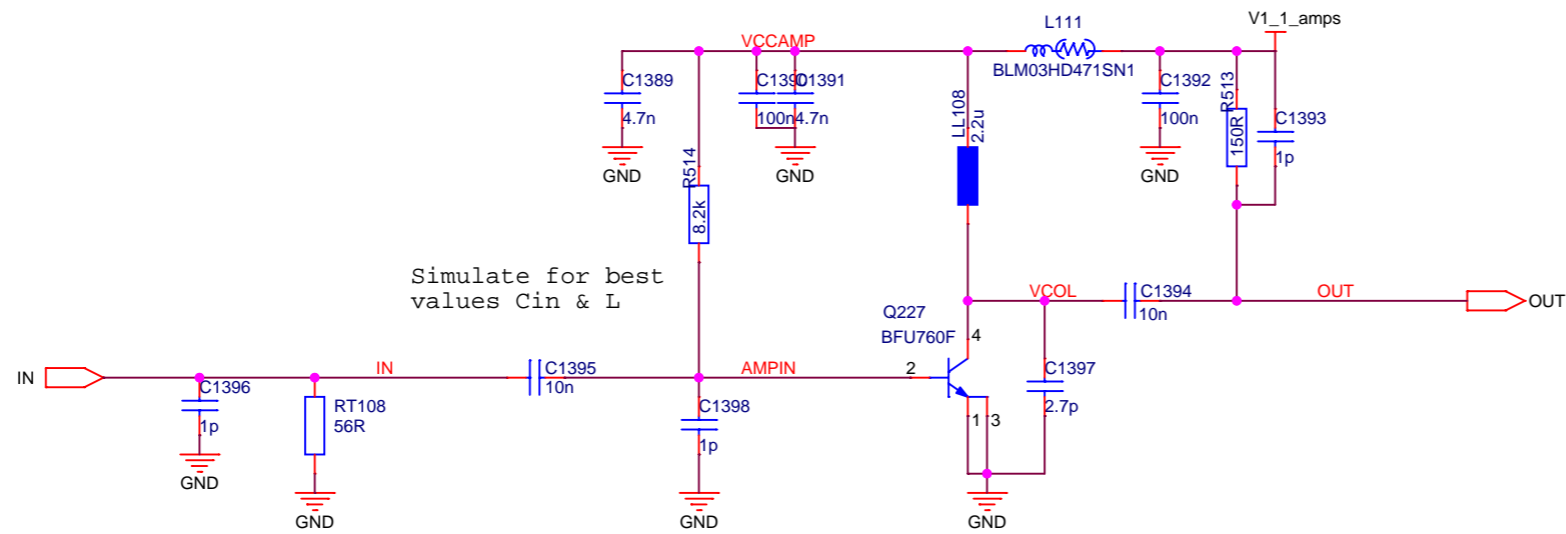
| | | |
|---|--|--------------------|
|  | Gesellschaft für Schwerionenforschung mbH Planckstrasse 1 D-64291 Darmstadt GERMANY www.gsi.de | |
| | 2 CHANNEL CHARGE & TIMING INPUT STAGE | |
| Design: K:\GSI\JOB\SCIF\SCIFI_652_AMP1\SCIFI_652_AMP1.DSN | | Size: A3 |
| Modified: Thursday, March 06, 2025 | | Page: 1 / 12 |
| Designer: H. Haggren | | Layouter: H. Kavan |

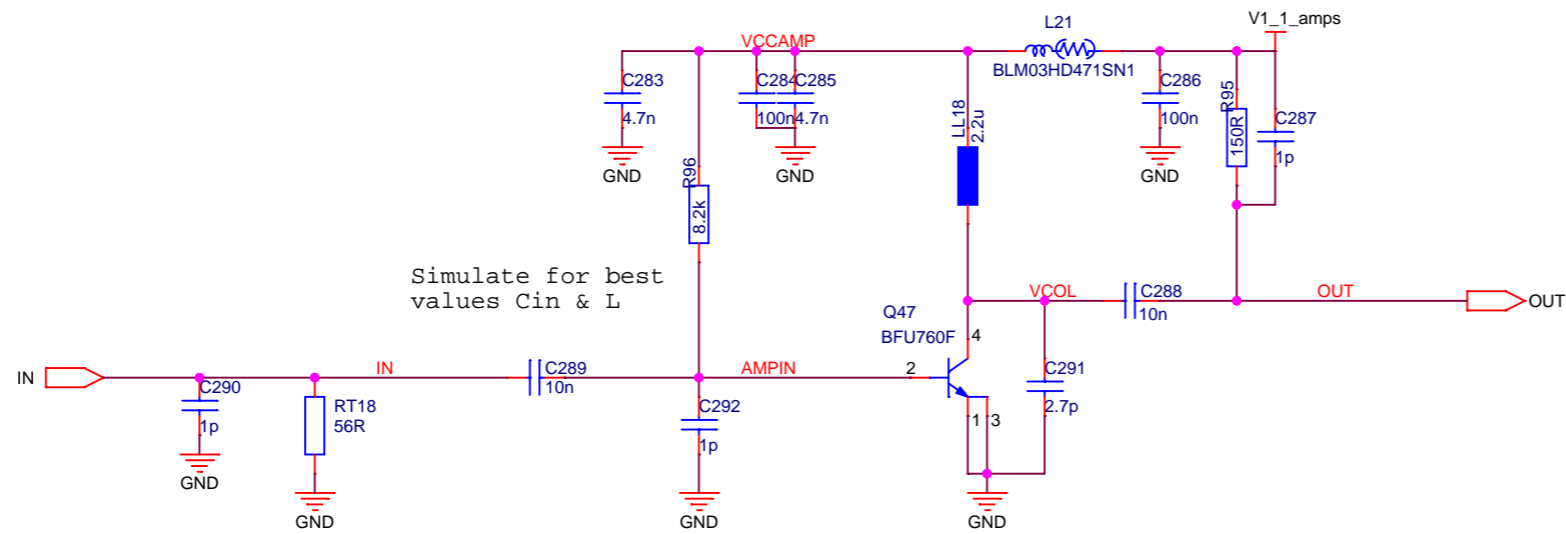


| | | |
|---|--|--------------|
|  | Gesellschaft für Schwerionenforschung mbH Planckstrasse 1 D-64291 Darmstadt GERMANY www.gsi.de | |
| | 2 CHANNEL CHARGE & TIMING INPUT STAGE | |
| Design: K:\GSI\JOB\SCIF\SCIFI_652_AMP1\SCIFI_652_AMP1.DSN Modified: Thursday, March 06, 2025 Designer: H. Haggren | Size: A3 Layouter: H. Kavan | Page: 1 / 12 |

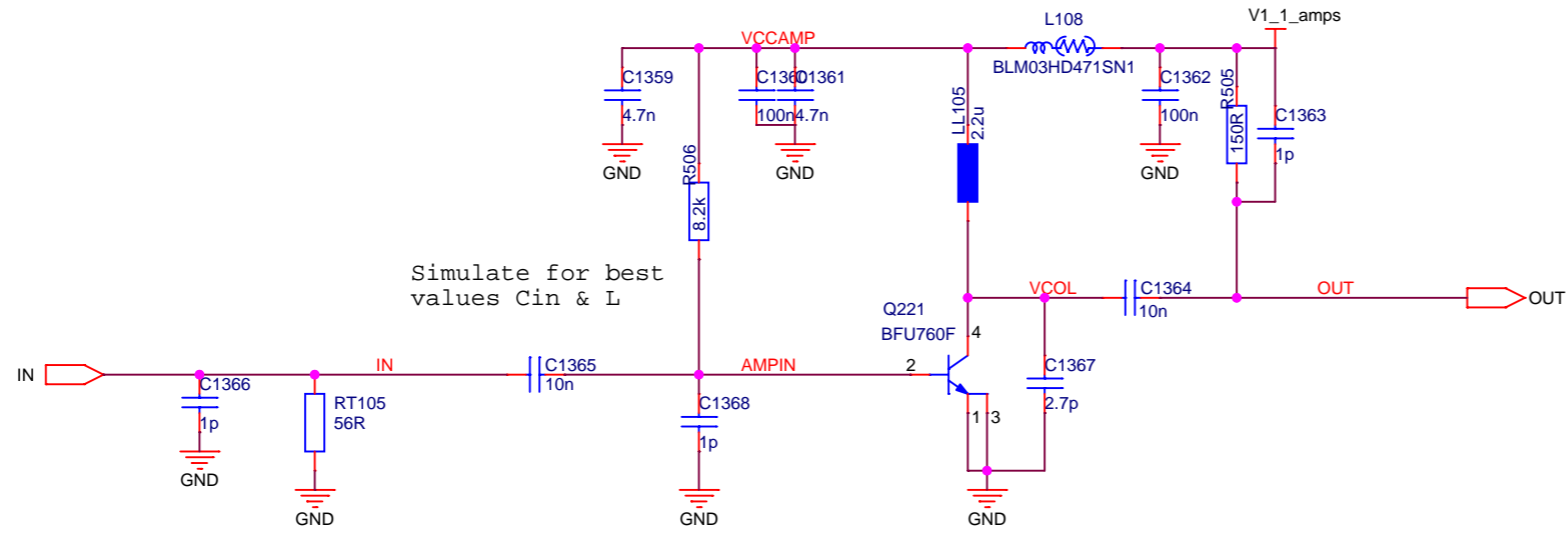


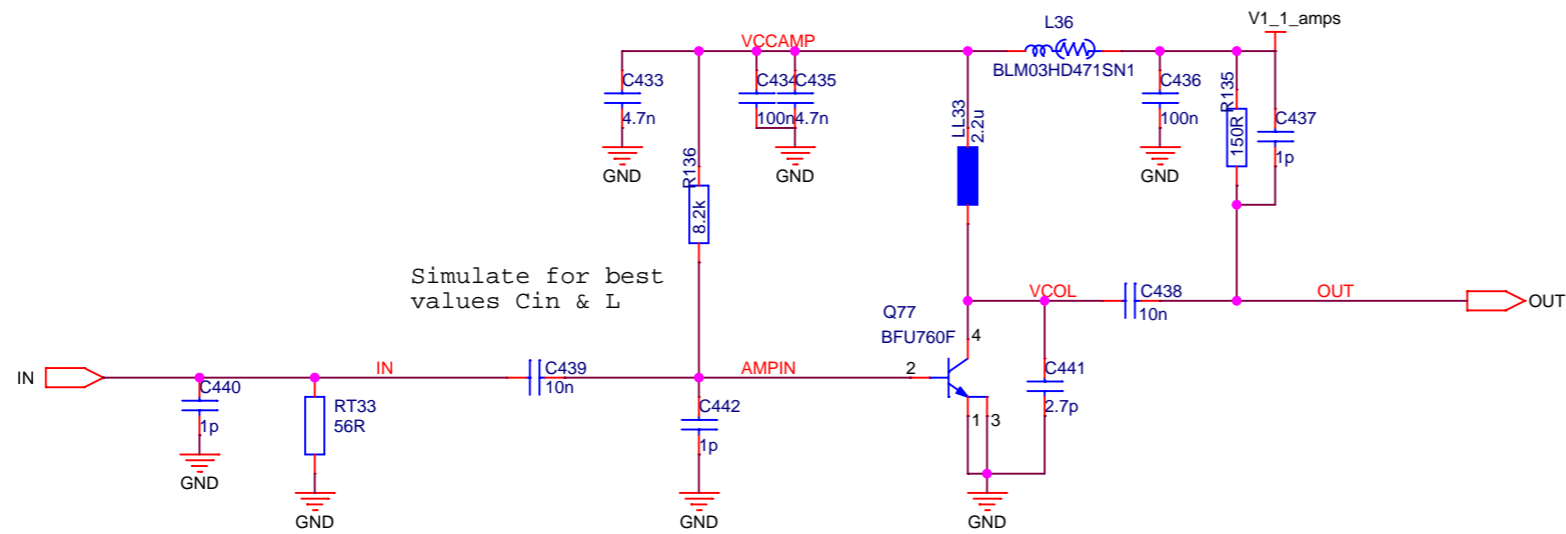
| | | |
|---|--|--------------------|
|  | Gesellschaft für Schwerionenforschung mbH Planckstrasse 1 D-64291 Darmstadt GERMANY www.gsi.de | |
| | 2 CHANNEL CHARGE & TIMING INPUT STAGE | |
| Design: K:\GSI\JOB\SCIF\SCIFI_652_AMP1\SCIFI_652_AMP1.DSN | | Size: A3 |
| Modified: Thursday, March 06, 2025 | | Page: 1 / 12 |
| Designer: H. Haggren | | Layouter: H. Kavan |

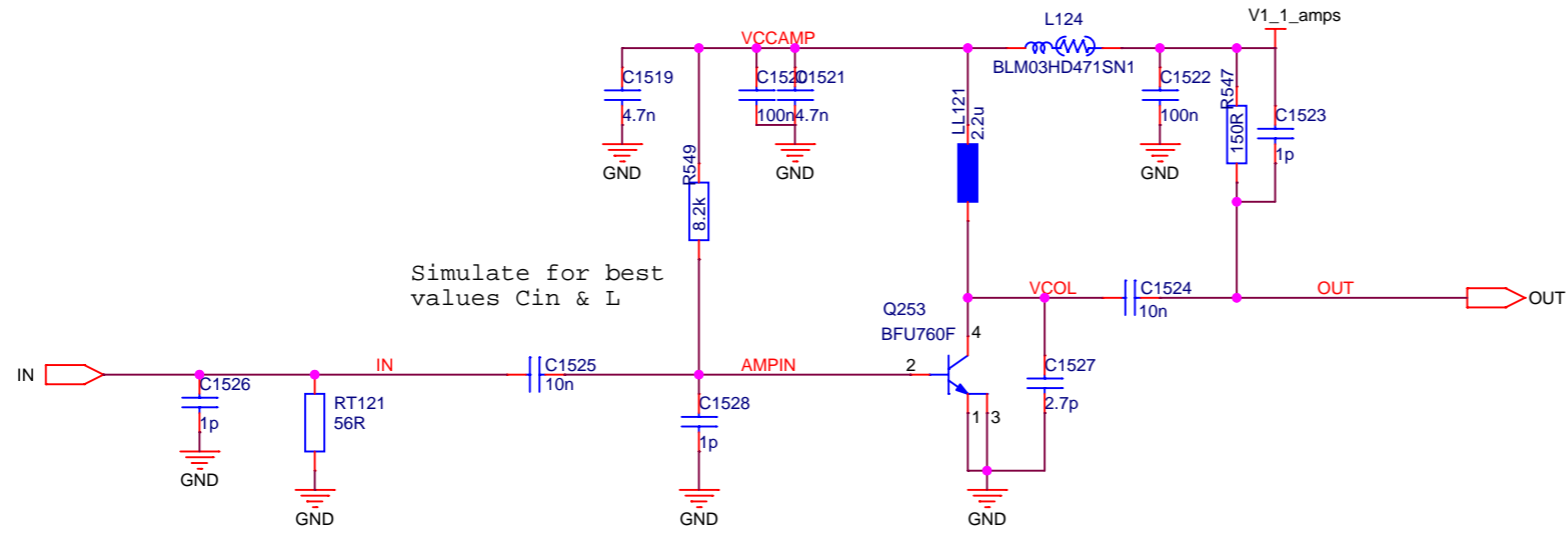




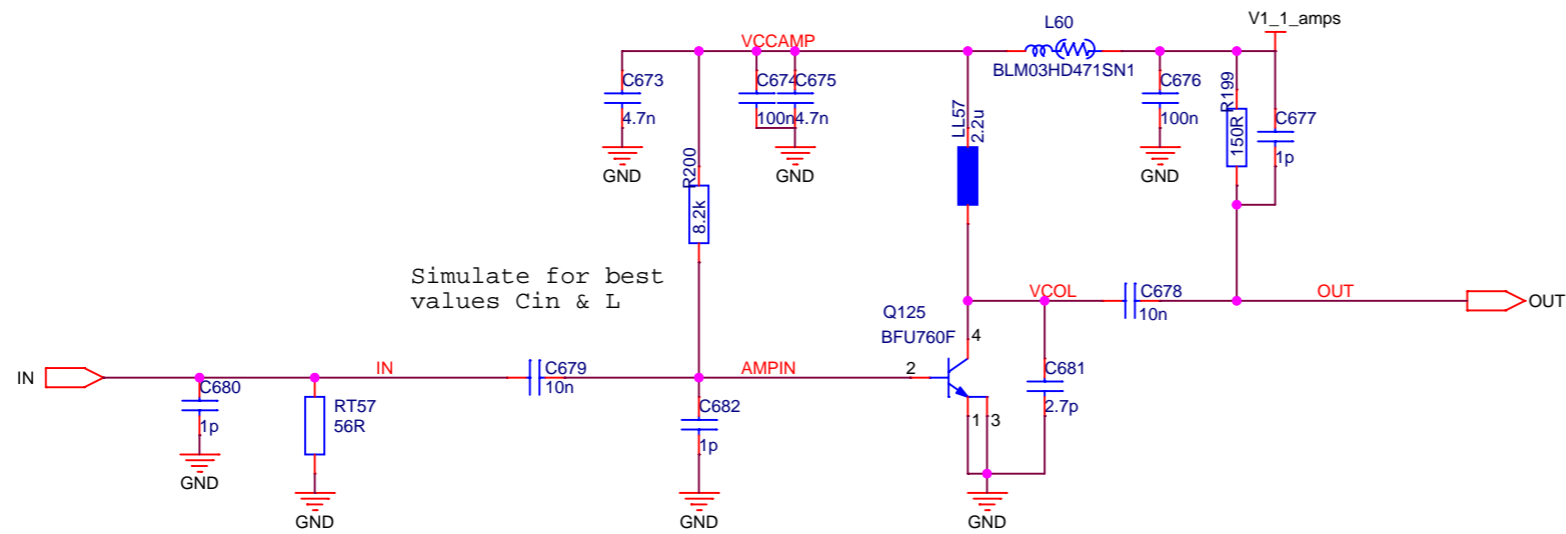
| | | |
|---|--|--------------------|
|  | Gesellschaft für Schwerionenforschung mbH Planckstrasse 1 D-64291 Darmstadt GERMANY www.gsi.de | |
| | 2 CHANNEL CHARGE & TIMING INPUT STAGE | |
| Design: K:\GSI\JOB\SCIF\SCIFI_652_AMP1\SCIFI_652_AMP1.DSN | | Size: A3 |
| Modified: Thursday, March 06, 2025 | | Page: 1 / 12 |
| Designer: H. Haggren | | Layouter: H. Kavan |




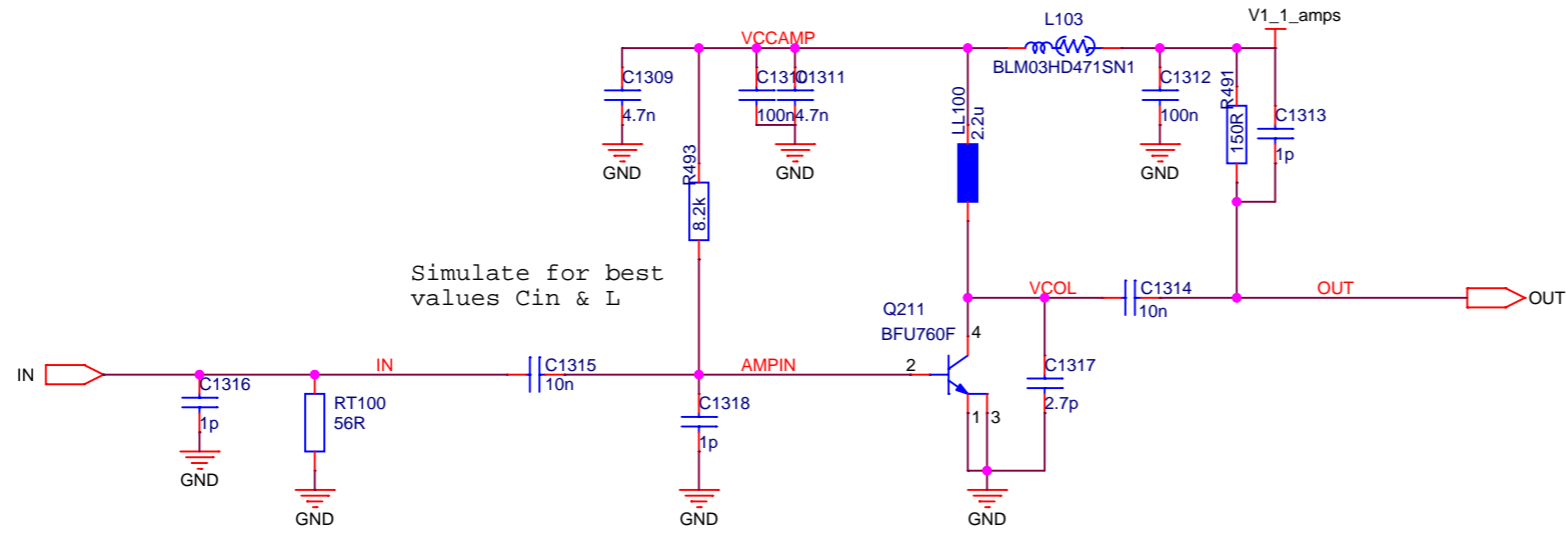





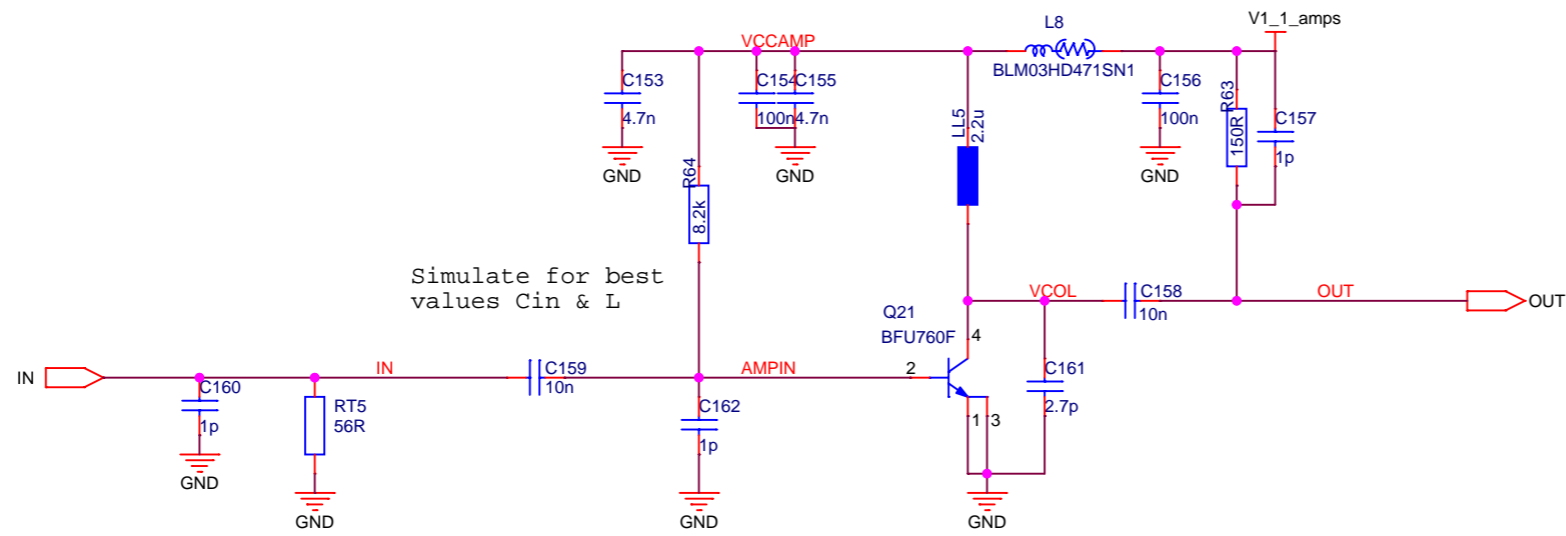
| | | |
|---|--|--------------------|
|  | Gesellschaft für Schwerionenforschung mbH Planckstrasse 1 D-64291 Darmstadt GERMANY www.gsi.de | |
| | 2 CHANNEL CHARGE & TIMING INPUT STAGE | |
| Design: K:\GSI\JOB\SCIF\SCIFI_652_AMP1\SCIFI_652_AMP1.DSN | | Size: A3 |
| Modified: Thursday, March 06, 2025 | | Page: 1 / 12 |
| Designer: H. Haggren | | Layouter: H. Kavan |



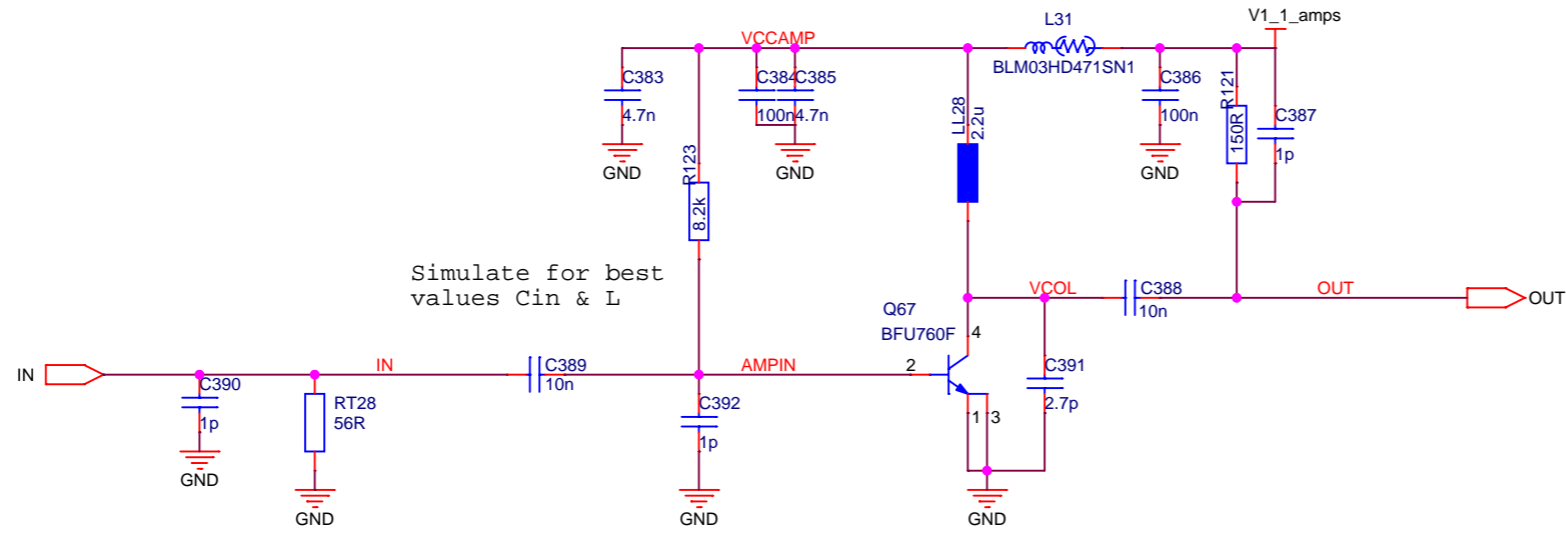
| | | |
|---|--|--------------|
|  | Gesellschaft für Schwerionenforschung mbH Planckstrasse 1 D-64291 Darmstadt GERMANY www.gsi.de | |
| | 2 CHANNEL CHARGE & TIMING INPUT STAGE | |
| Design: K:\GSI\JOB\SCIF\SCIFI_652_AMP1\SCIFI_652_AMP1.DSN Modified: Thursday, March 06, 2025 Designer: H. Haggren | Size: A3 Layouter: H. Kavan | Page: 1 / 12 |

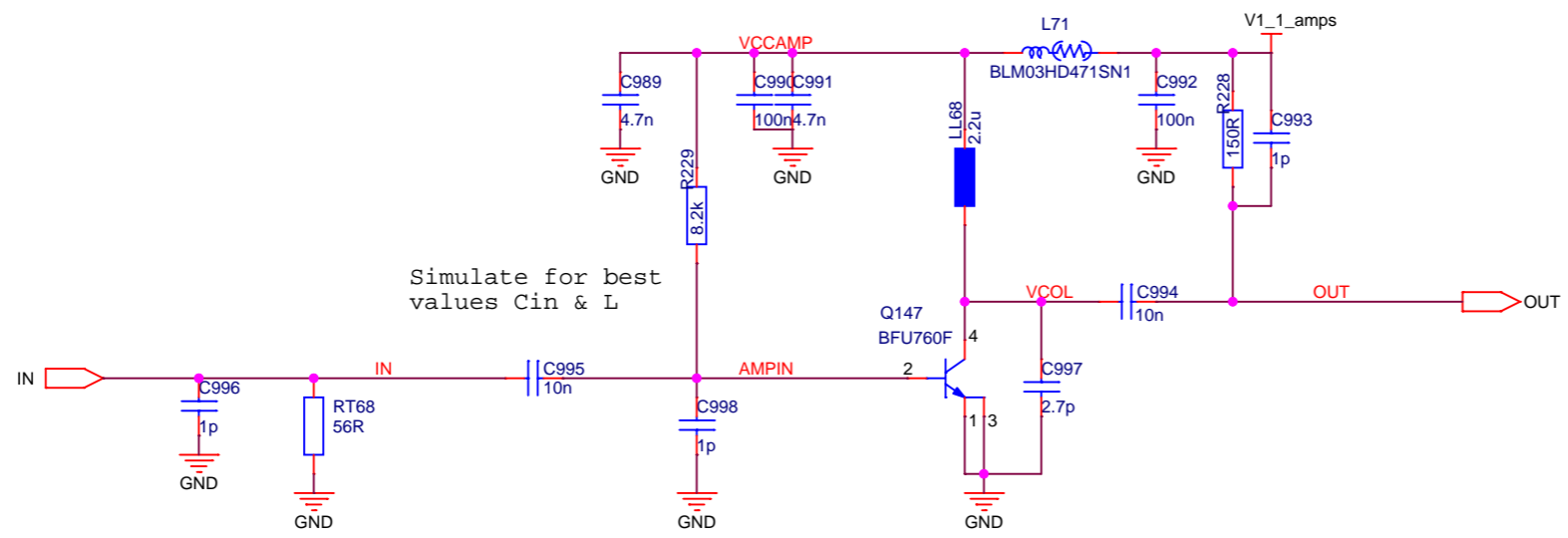


| | | |
|---|--|--------------------|
|  | Gesellschaft für Schwerionenforschung mbH Planckstrasse 1 D-64291 Darmstadt GERMANY www.gsi.de | |
| | 2 CHANNEL CHARGE & TIMING INPUT STAGE | |
| Design: K:\GSI\JOB\SCIF\SCIFI_652_AMP1\SCIFI_652_AMP1.DSN | | Size: A3 |
| Modified: Thursday, March 06, 2025 | | Page: 1 / 12 |
| Designer: H. Haggren | | Layouter: H. Kavan |

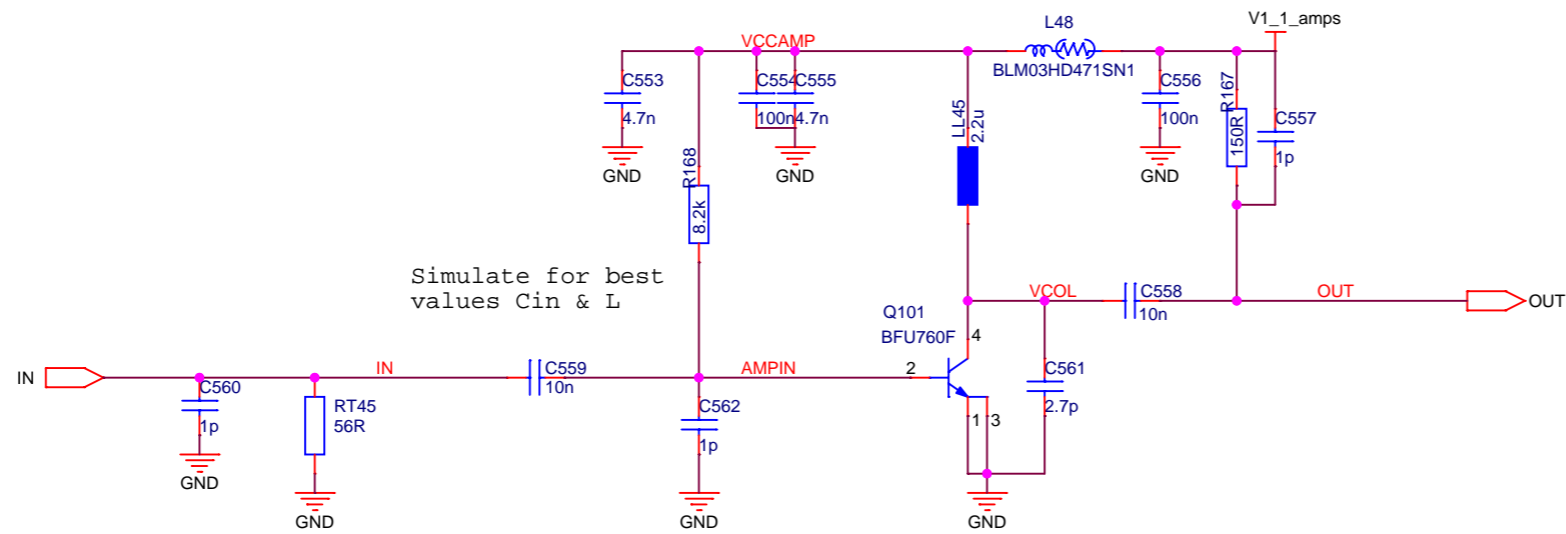



| | | |
|---|--|--------------|
|  | Gesellschaft für Schwerionenforschung mbH Planckstrasse 1 D-64291 Darmstadt GERMANY www.gsi.de | |
| | 2 CHANNEL CHARGE & TIMING INPUT STAGE | |
| Design: K:\GSI\JOB\SCIF\SCIFI_652_AMP1\SCIFI_652_AMP1.DSN Modified: Thursday, March 06, 2025 Designer: H. Haggren | Size: A3 Layouter: H. Kavan | Page: 1 / 12 |

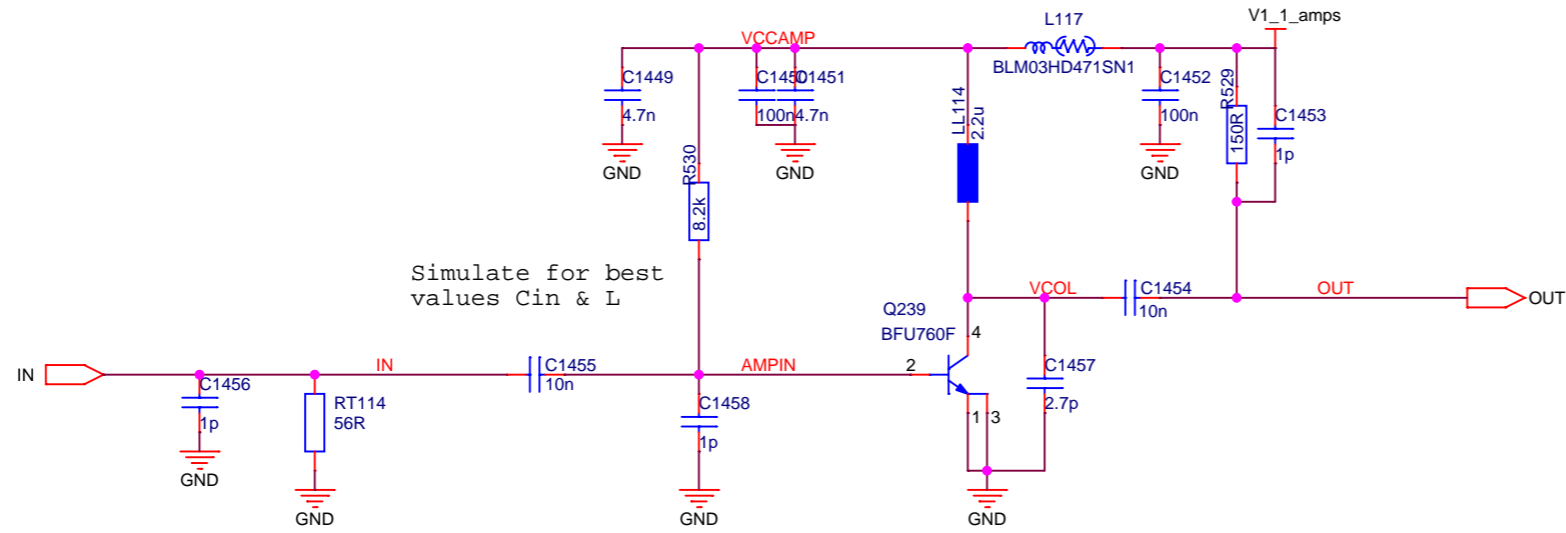


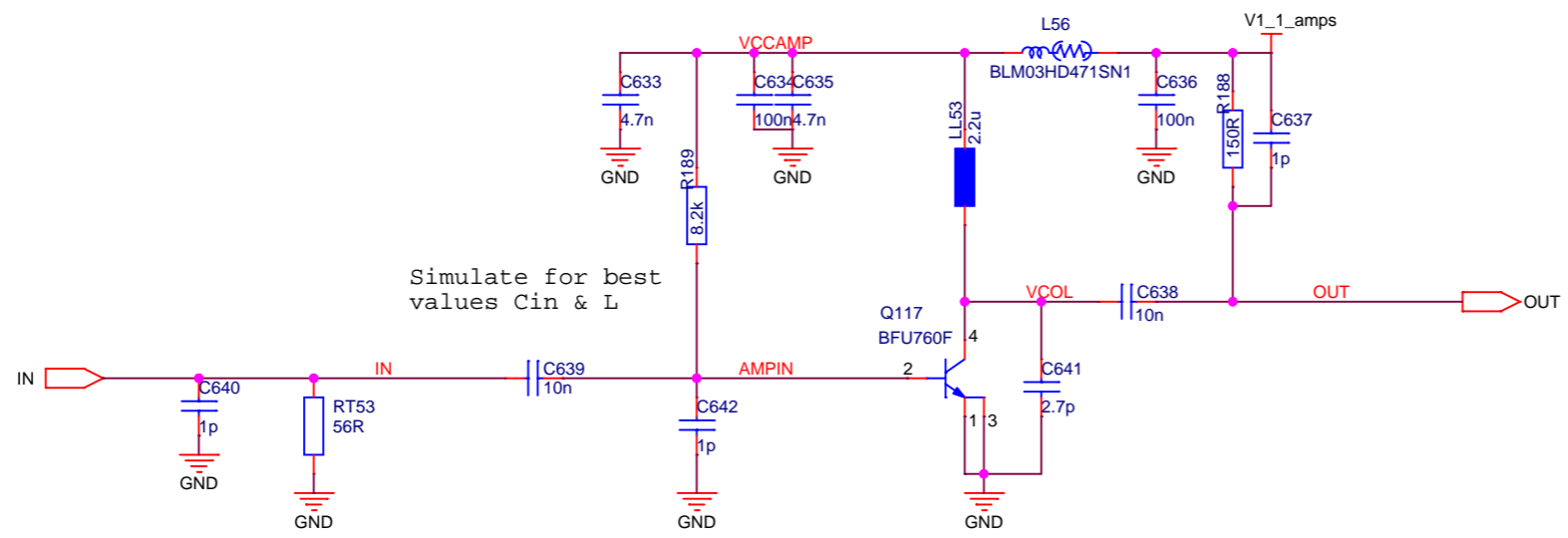


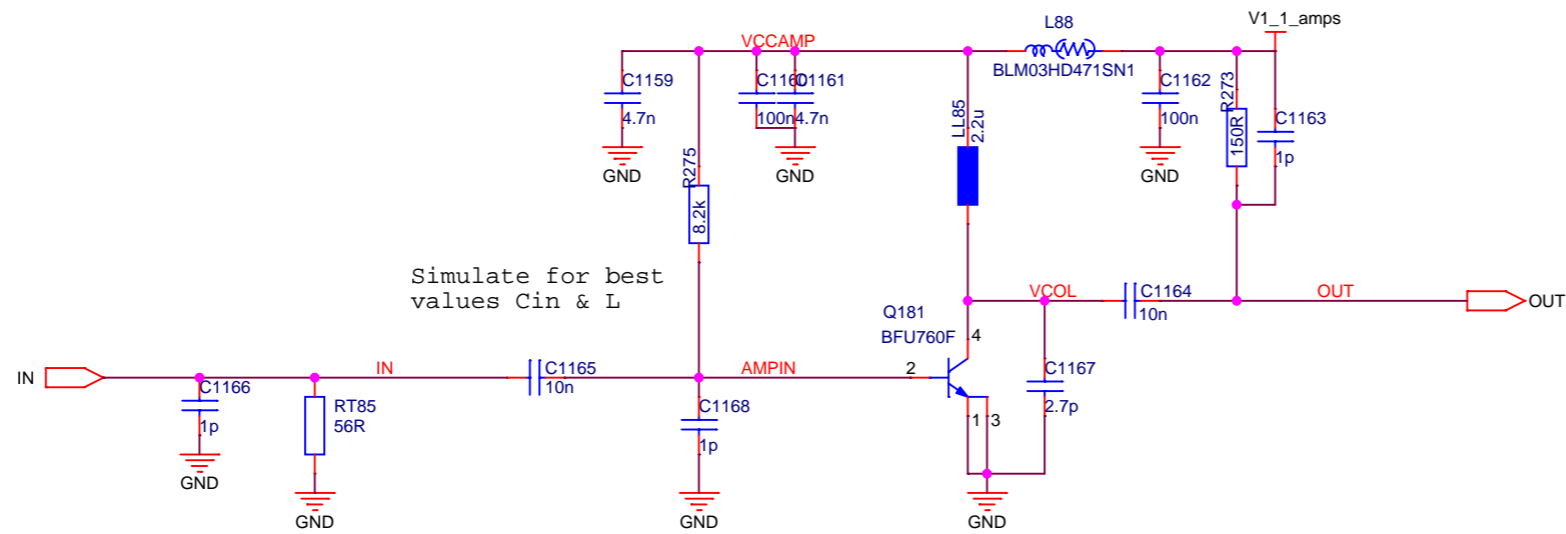
| | | |
|---|--|--------------------|
|  | Gesellschaft für Schwerionenforschung mbH Planckstrasse 1 D-64291 Darmstadt GERMANY www.gsi.de | |
| | 2 CHANNEL CHARGE & TIMING INPUT STAGE | |
| Design: K:\GSI\JOB\SCIF\SCIFI_652_AMP1\SCIFI_652_AMP1.DSN | | Size: A3 |
| Modified: Thursday, March 06, 2025 | | Page: 1 / 12 |
| Designer: H. Haggren | | Layouter: H. Kavan |



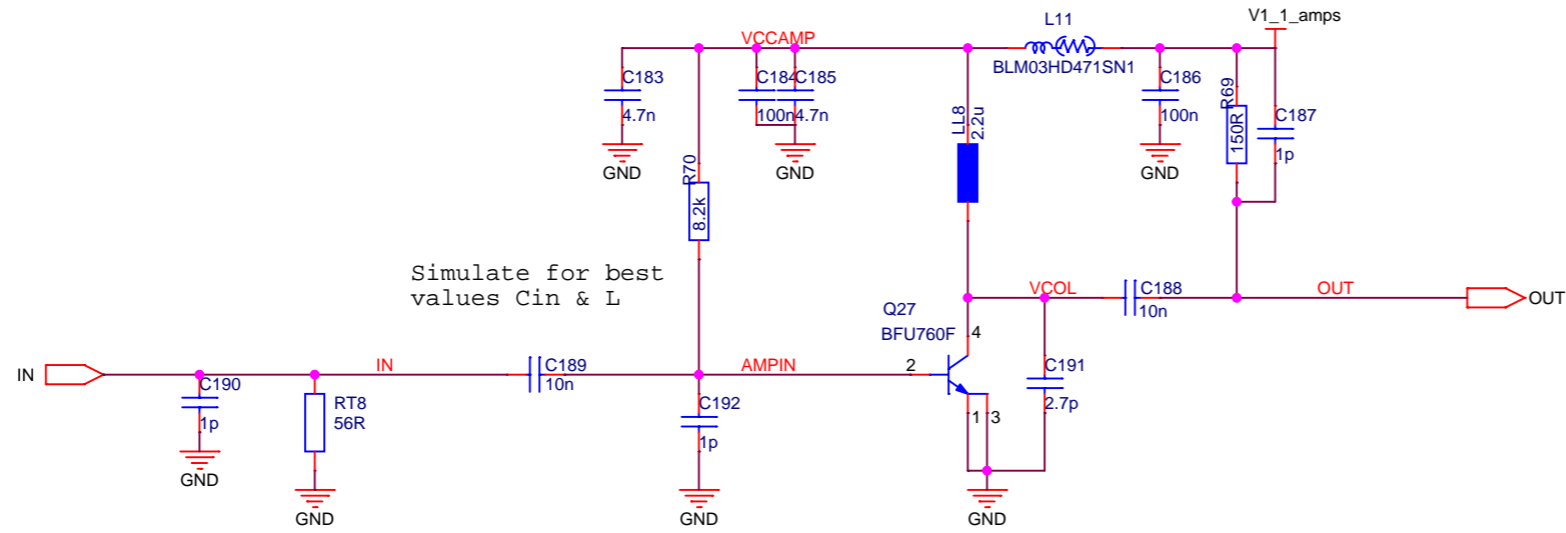
| | | |
|---|--|--------------------|
|  | Gesellschaft für Schwerionenforschung mbH Planckstrasse 1 D-64291 Darmstadt GERMANY www.gsi.de | |
| | 2 CHANNEL CHARGE & TIMING INPUT STAGE | |
| Design: K:\GSI\JOB\SCIF\SCIFI_652_AMP1\SCIFI_652_AMP1.DSN | | Size: A3 |
| Modified: Thursday, March 06, 2025 | | Page: 1 / 12 |
| Designer: H. Haggren | | Layouter: H. Kavan |

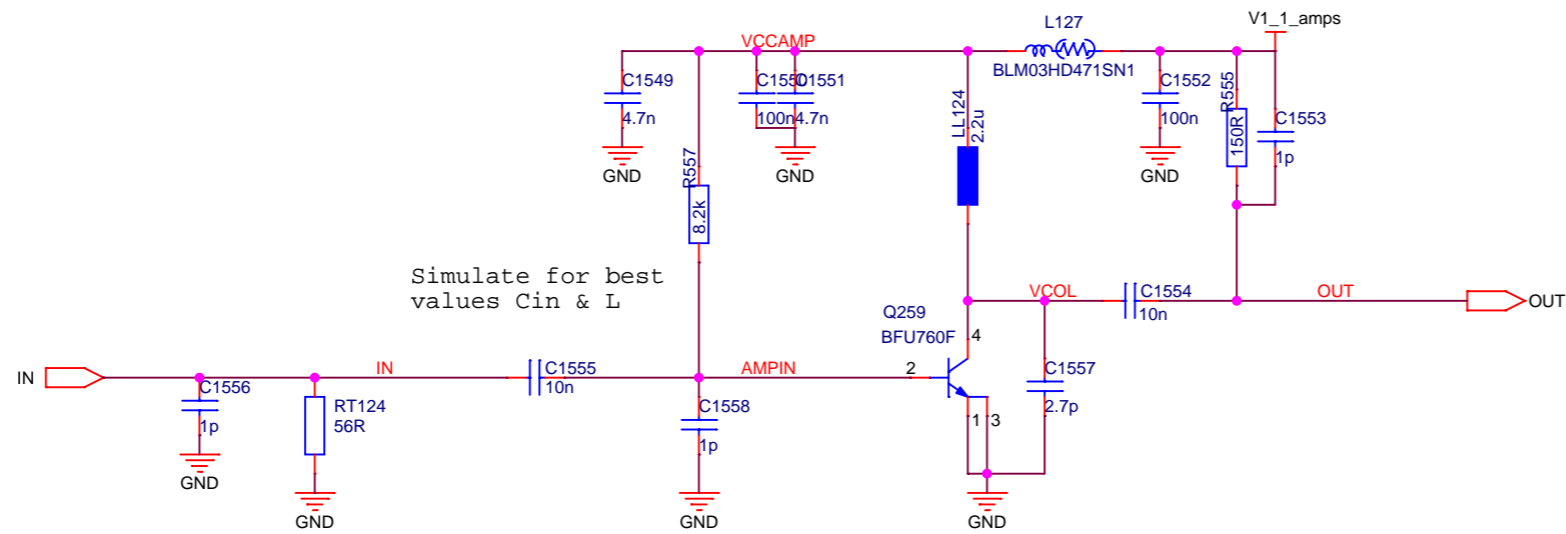




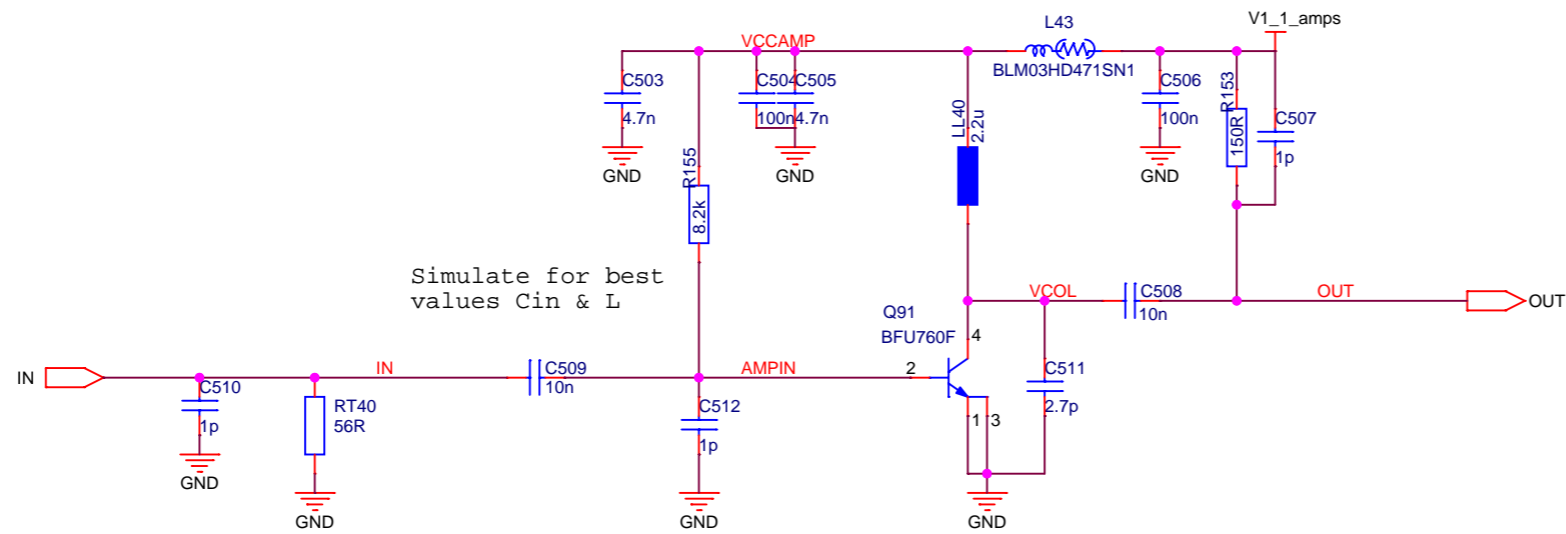


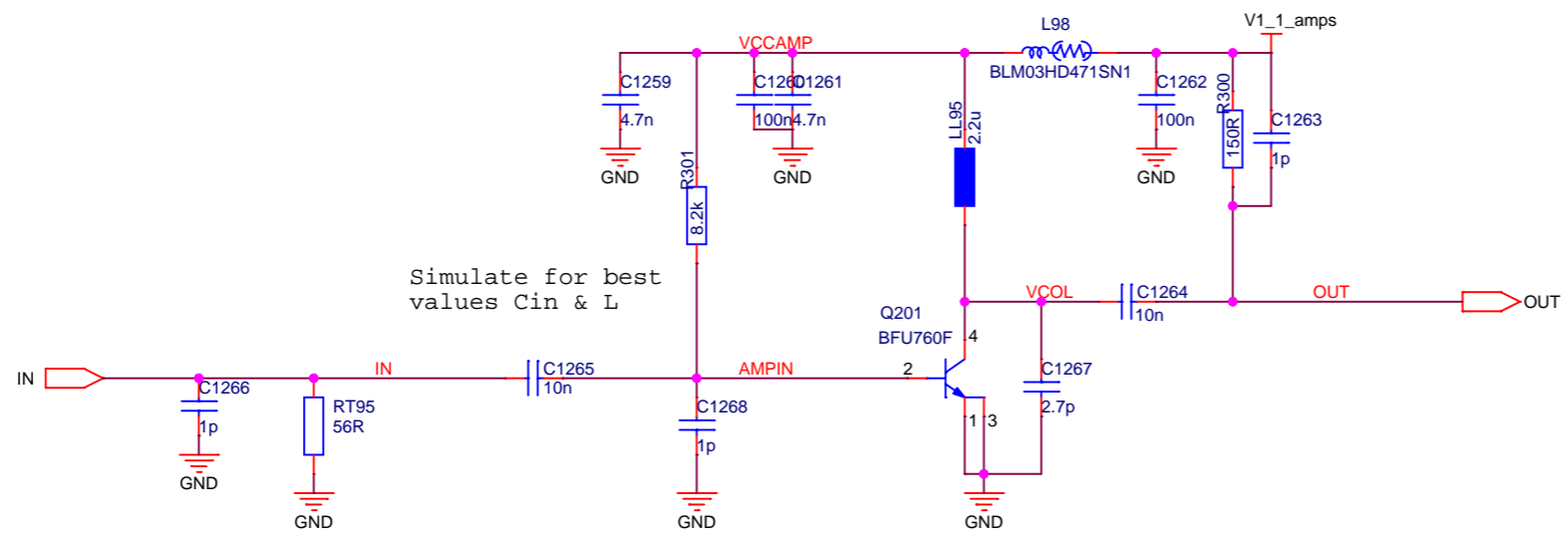
| | | |
|---|--|--------------------|
|  | Gesellschaft für Schwerionenforschung mbH Planckstrasse 1 D-64291 Darmstadt GERMANY www.gsi.de | |
| | 2 CHANNEL CHARGE & TIMING INPUT STAGE | |
| Design: K:\GSI\JOB\SCIFI\SCIFI_652_AMP1\SCIFI_652_AMP1.DSN | | Size: A3 |
| Modified: Thursday, March 06, 2025 | | Page: 1 / 12 |
| Designer: H. Haggren | | Layouter: H. Kavan |



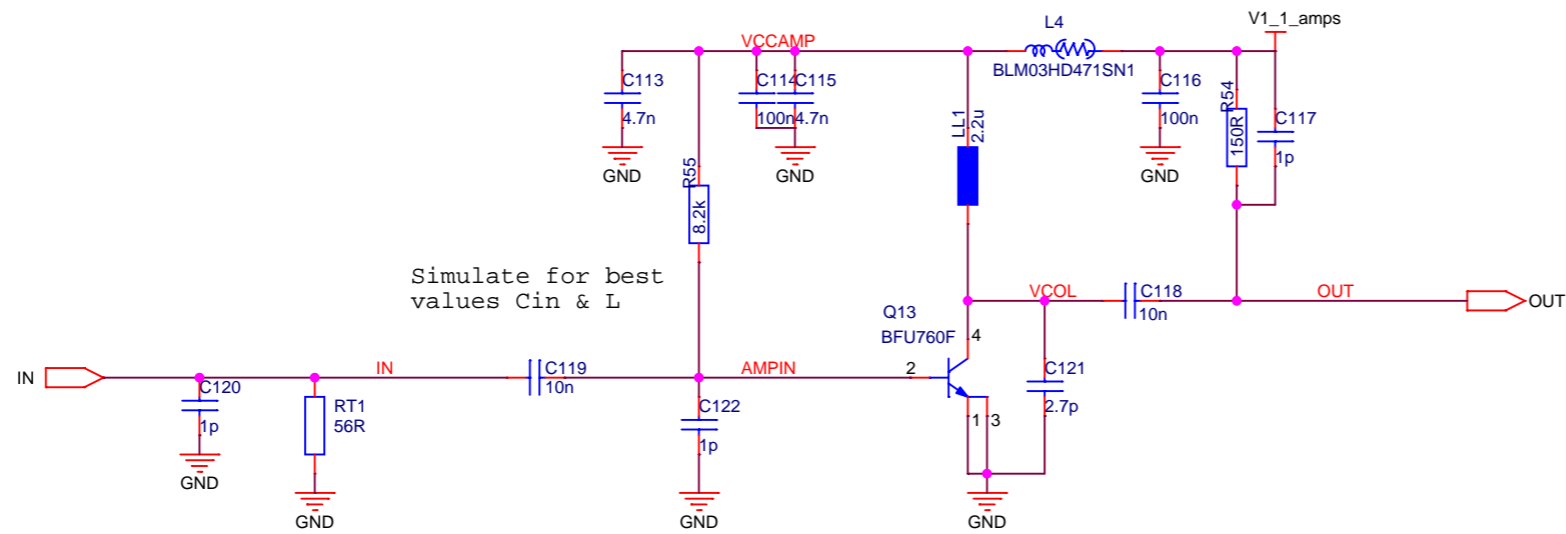


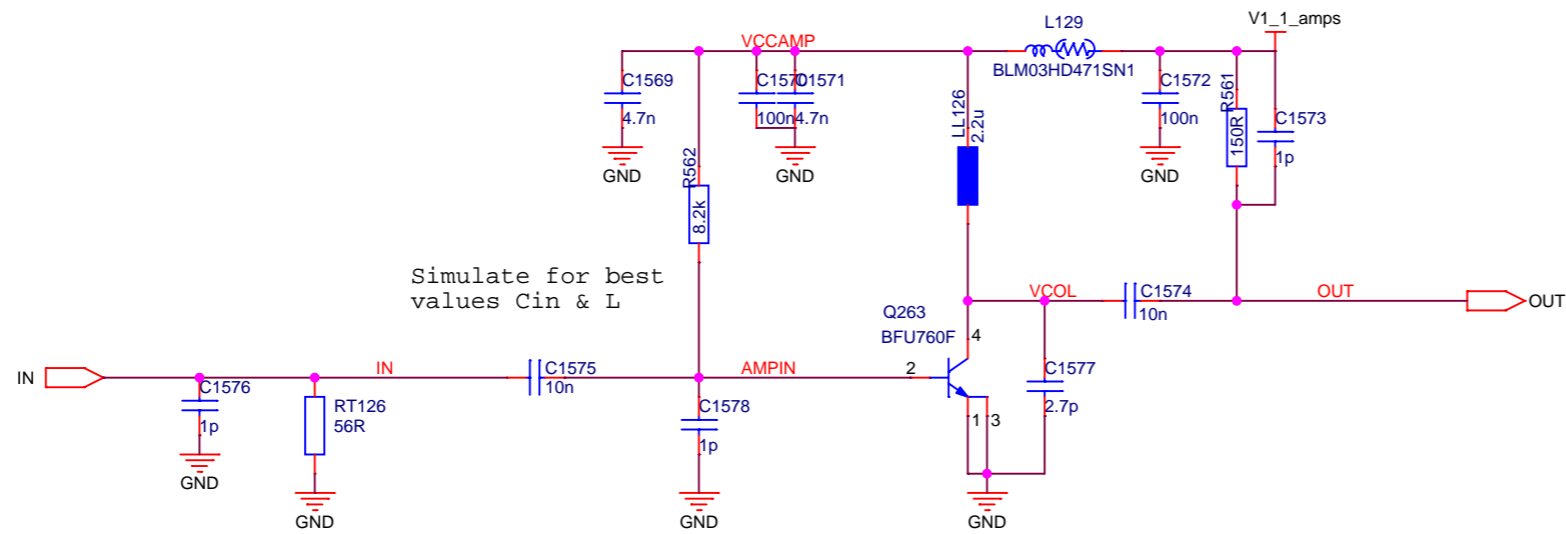
| | | |
|---|--|--------------------|
|  | Gesellschaft für Schwerionenforschung mbH Planckstrasse 1 D-64291 Darmstadt GERMANY www.gsi.de | |
| | 2 CHANNEL CHARGE & TIMING INPUT STAGE | |
| Design: K:\GSI\JOB\SCIF\SCIFI_652_AMP1\SCIFI_652_AMP1.DSN | | Size: A3 |
| Modified: Thursday, March 06, 2025 | | Page: 1 / 12 |
| Designer: H. Haggren | | Layouter: H. Kavan |



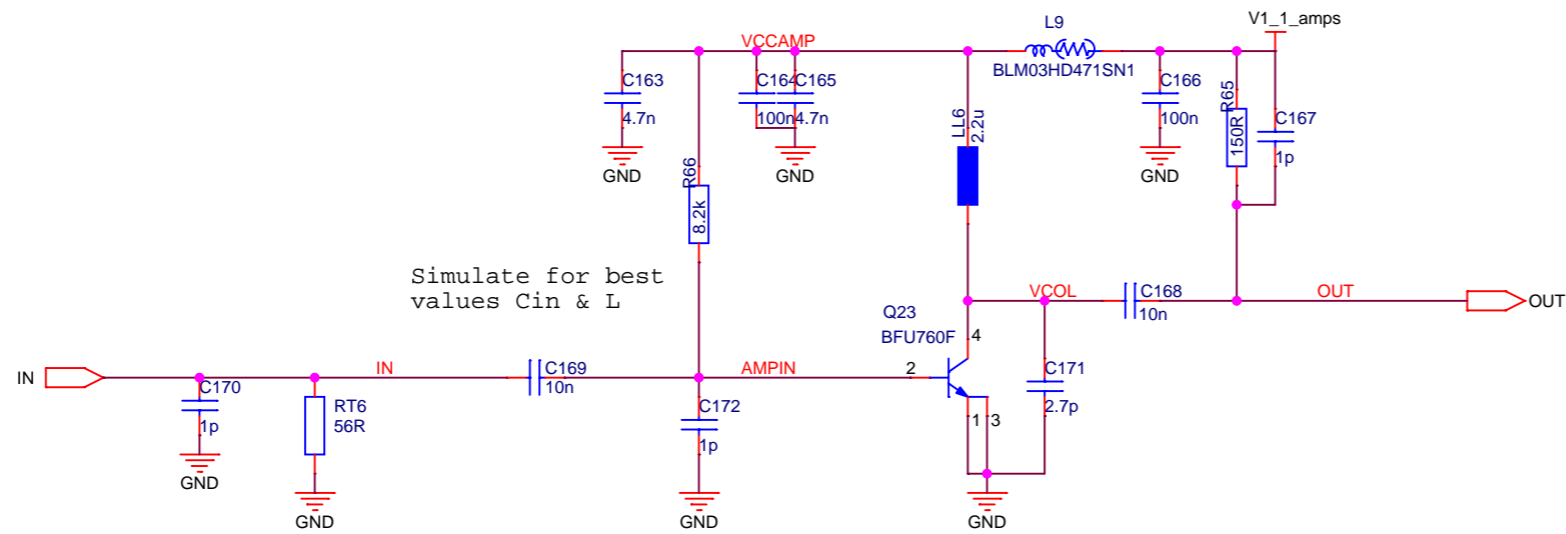



| | | |
|---|--|--------------------|
|  | Gesellschaft für Schwerionenforschung mbH Planckstrasse 1 D-64291 Darmstadt GERMANY www.gsi.de | |
| | 2 CHANNEL CHARGE & TIMING INPUT STAGE | |
| Design: K:\GSI\JOB\SCIFI\SCIFI_652_AMP1\SCIFI_652_AMP1.DSN | | Size: A3 |
| Modified: Thursday, March 06, 2025 | | Page: 1 / 12 |
| Designer: H. Haggren | | Layouter: H. Kavan |

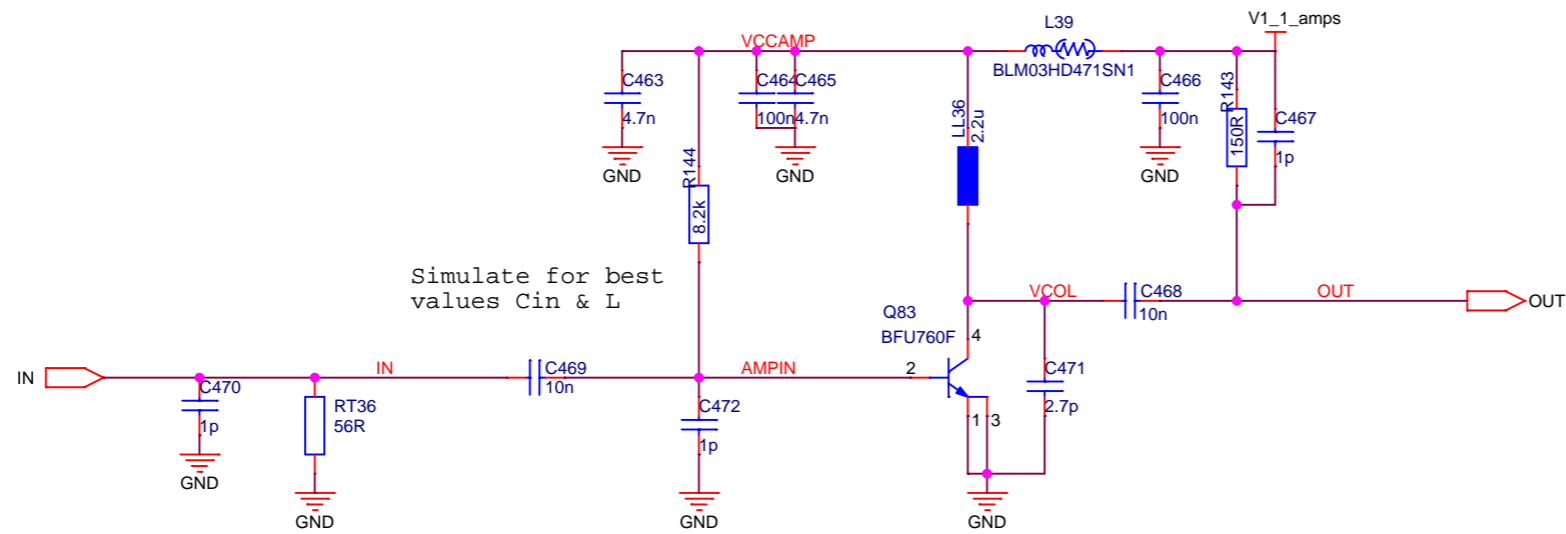




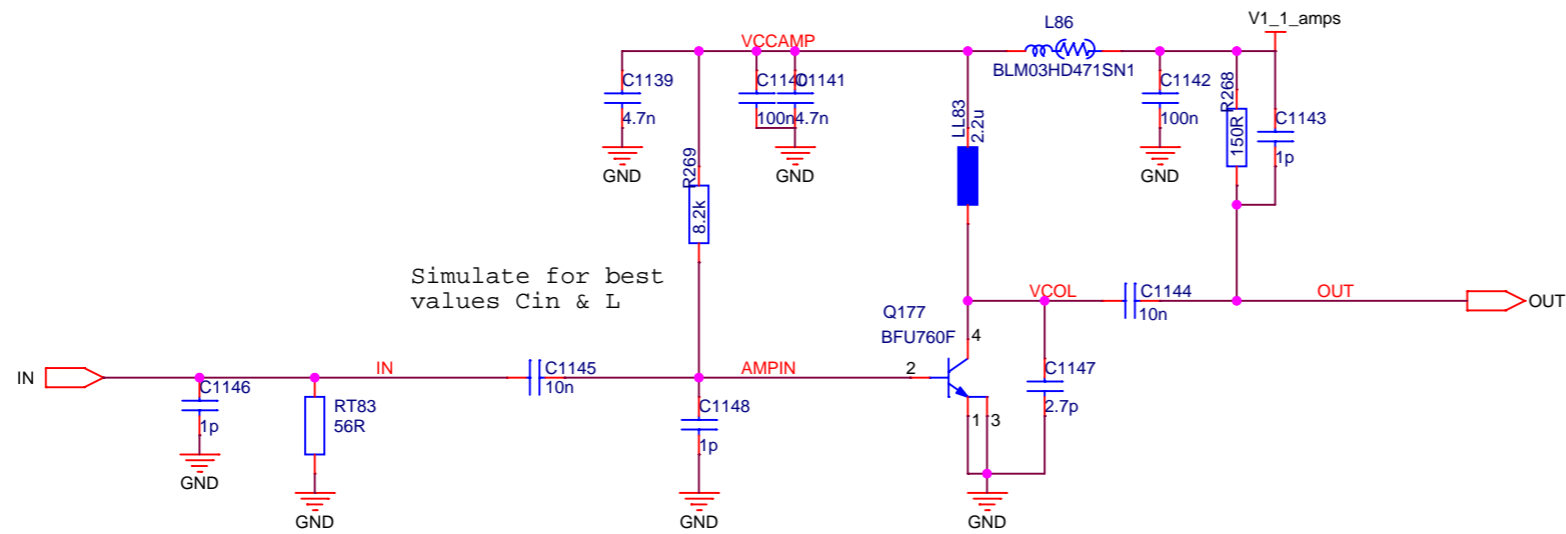
| | | |
|---|--|------------------------------------|
|  | Gesellschaft für Schwerionenforschung mbH Planckstrasse 1 D-64291 Darmstadt GERMANY www.gsi.de | |
| | 2 CHANNEL CHARGE & TIMING INPUT STAGE | |
| Design: K:\GSI\JOB\SCIF\SCIFI_652_AMP1\SCIFI_652_AMP1.DSN | | |
| Modified: Thursday, March 06, 2025 | | Size: A3 |
| Designer: H. Hagen | | Page: 1 / 12 Layouter: H. Kavan |

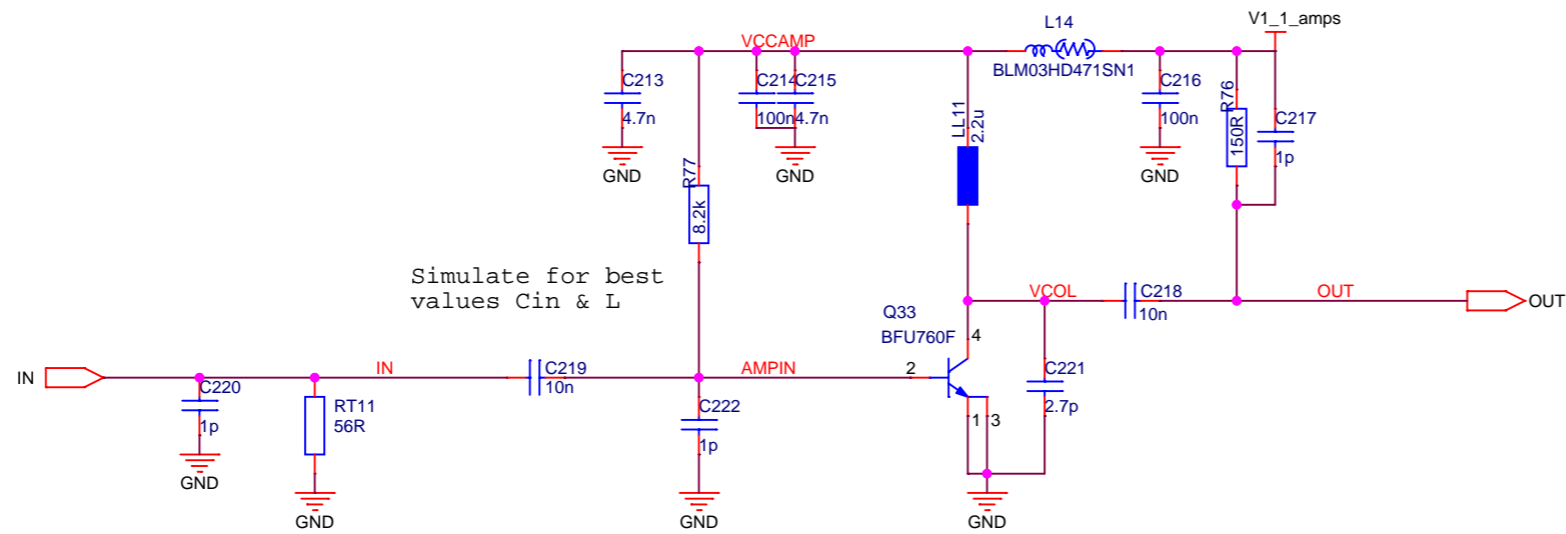


| | | |
|---|--|--------------------|
|  | Gesellschaft für Schwerionenforschung mbH Planckstrasse 1 D-64291 Darmstadt GERMANY www.gsi.de | |
| | 2 CHANNEL CHARGE & TIMING INPUT STAGE | |
| Design: K:\GSI\JOB\SCIF\SCIFI_652_AMP1\SCIFI_652_AMP1.DSN | | Size: A3 |
| Modified: Thursday, March 06, 2025 | | Page: 1 / 12 |
| Designer: H. Haggren | | Layouter: H. Kavan |

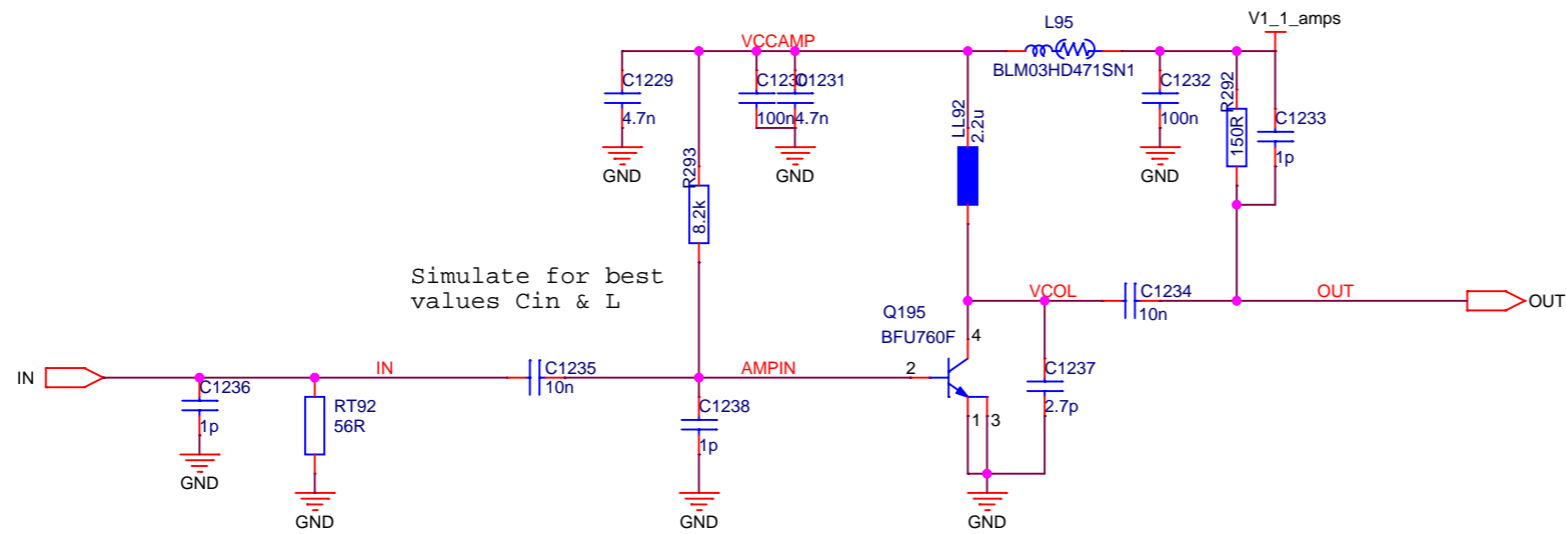


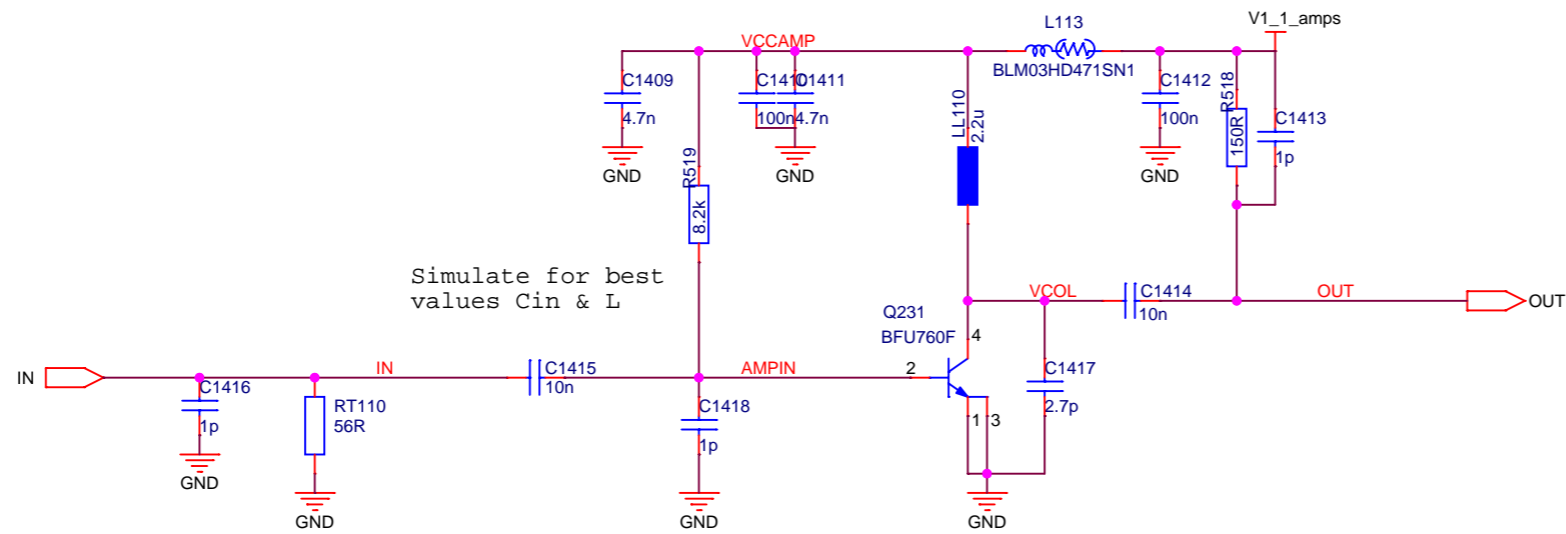
| | | |
|---|--|--------------|
|  | Gesellschaft für Schwerionenforschung mbH Planckstrasse 1 D-64291 Darmstadt GERMANY www.gsi.de | |
| | 2 CHANNEL CHARGE & TIMING INPUT STAGE | |
| Design: K:\GSI\JOB\SCIF\SCIFI_652_AMP1\SCIFI_652_AMP1.DSN Modified: Thursday, March 06, 2025 Designer: H. Haggren | Size: A3 Layouter: H. Kavan | Page: 1 / 12 |

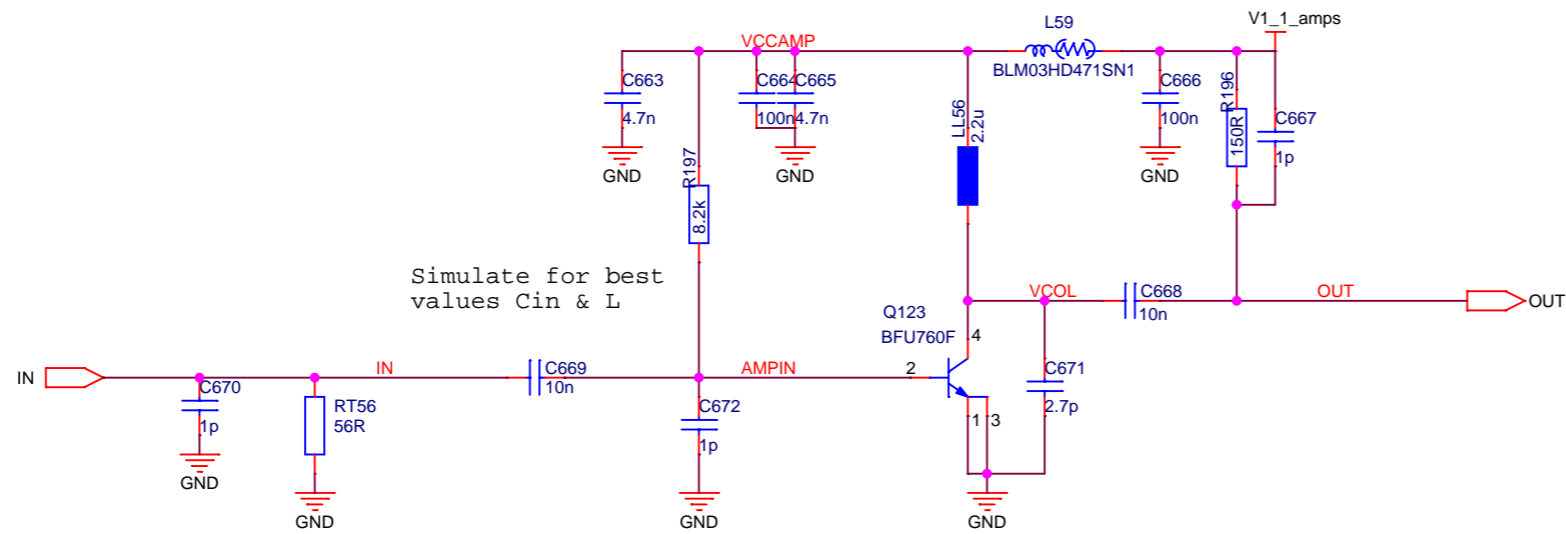


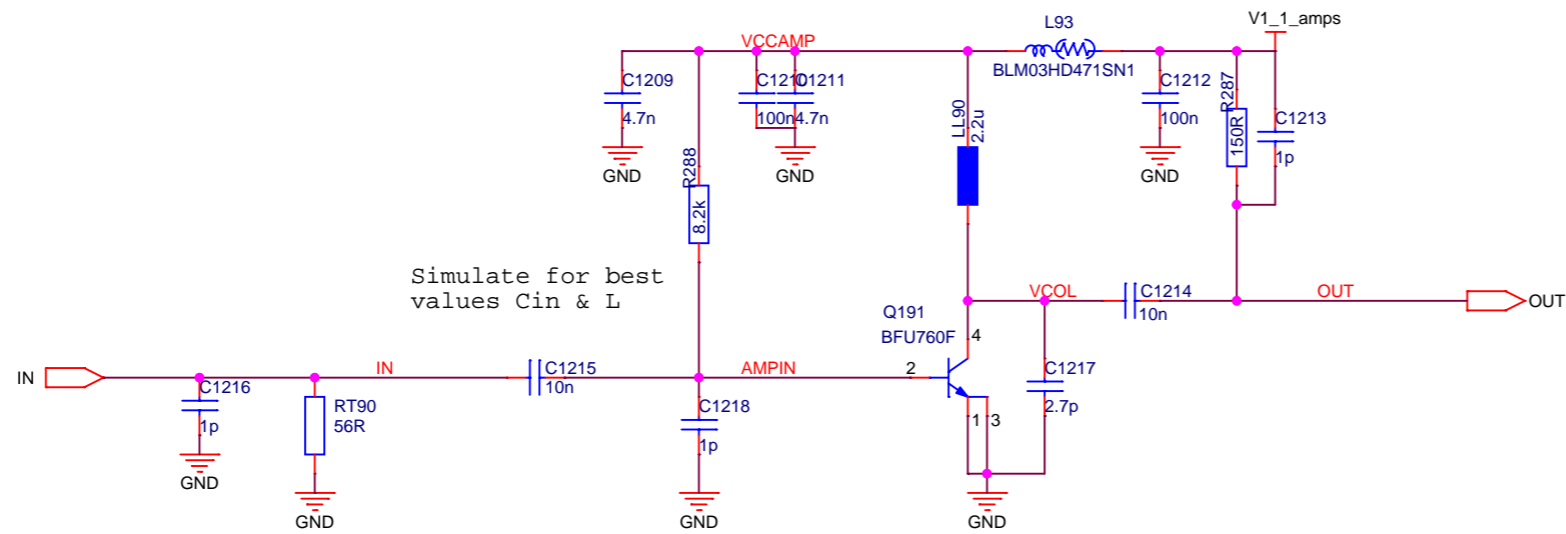


| | | |
|---|--|--------------------|
|  | Gesellschaft für Schwerionenforschung mbH Planckstrasse 1 D-64291 Darmstadt GERMANY www.gsi.de | |
| | 2 CHANNEL CHARGE & TIMING INPUT STAGE | |
| Design: K:\GSI\JOB\SCIF\SCIFI_652_AMP1\SCIFI_652_AMP1.DSN | | Size: A3 |
| Modified: Thursday, March 06, 2025 | | Page: 1 / 12 |
| Designer: H. Haggren | | Layouter: H. Kavan |

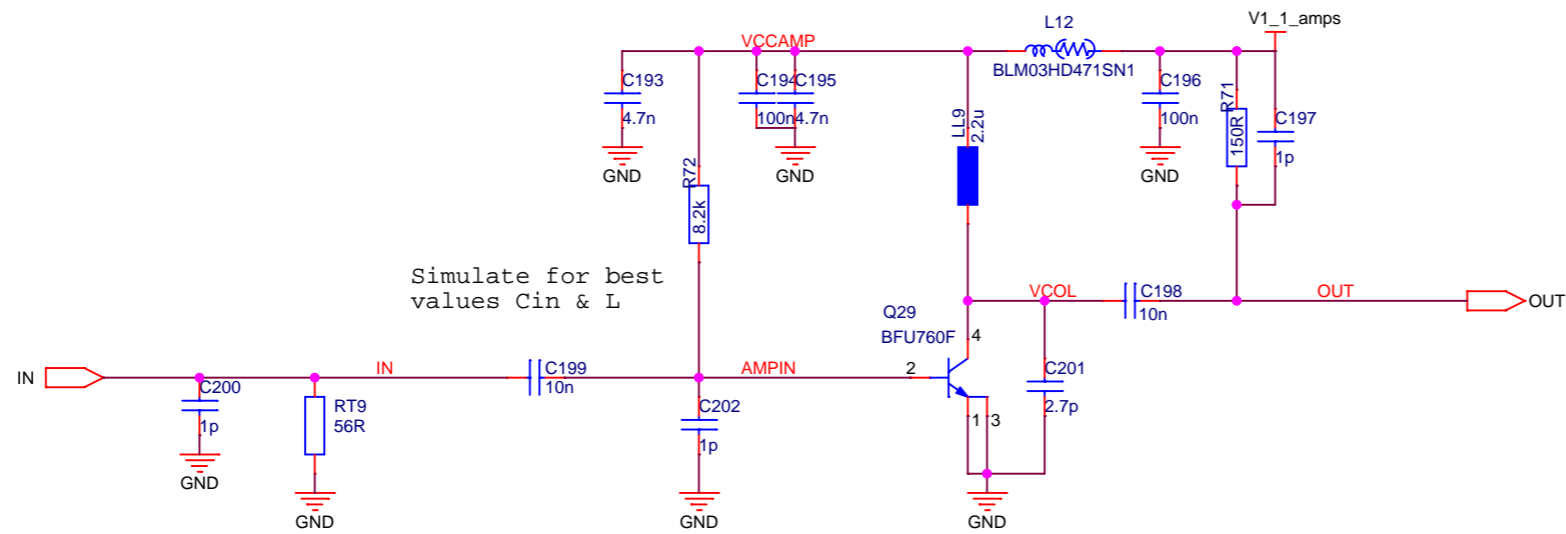




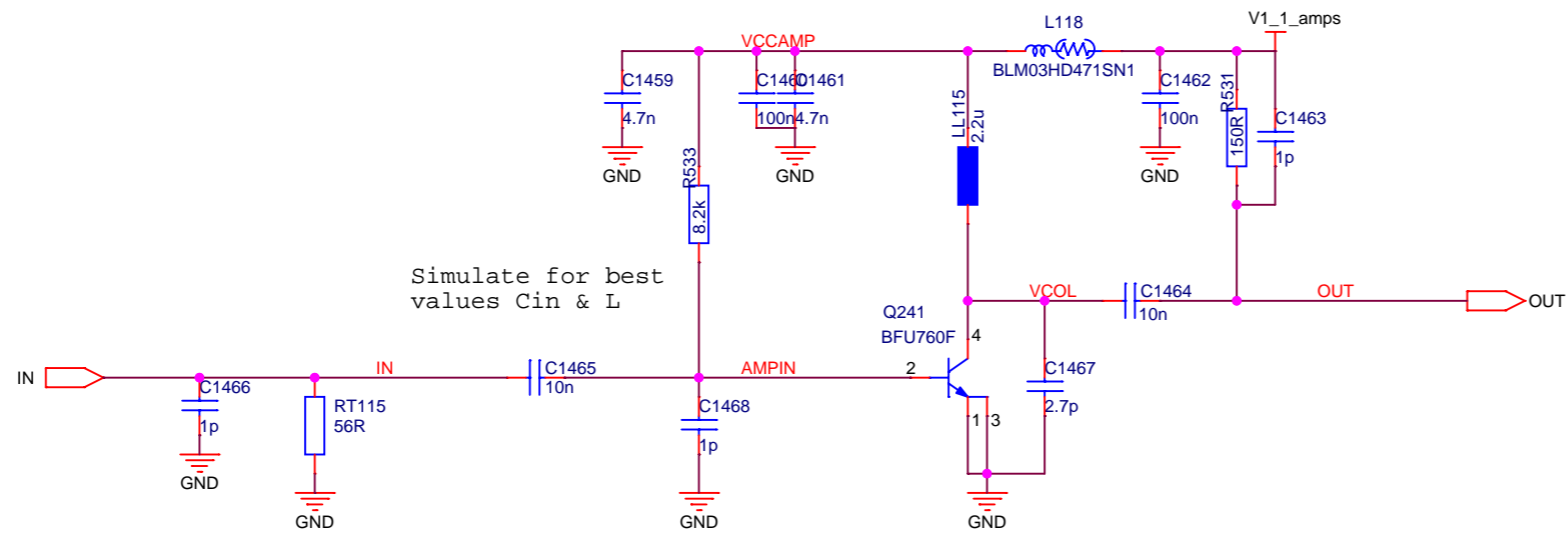


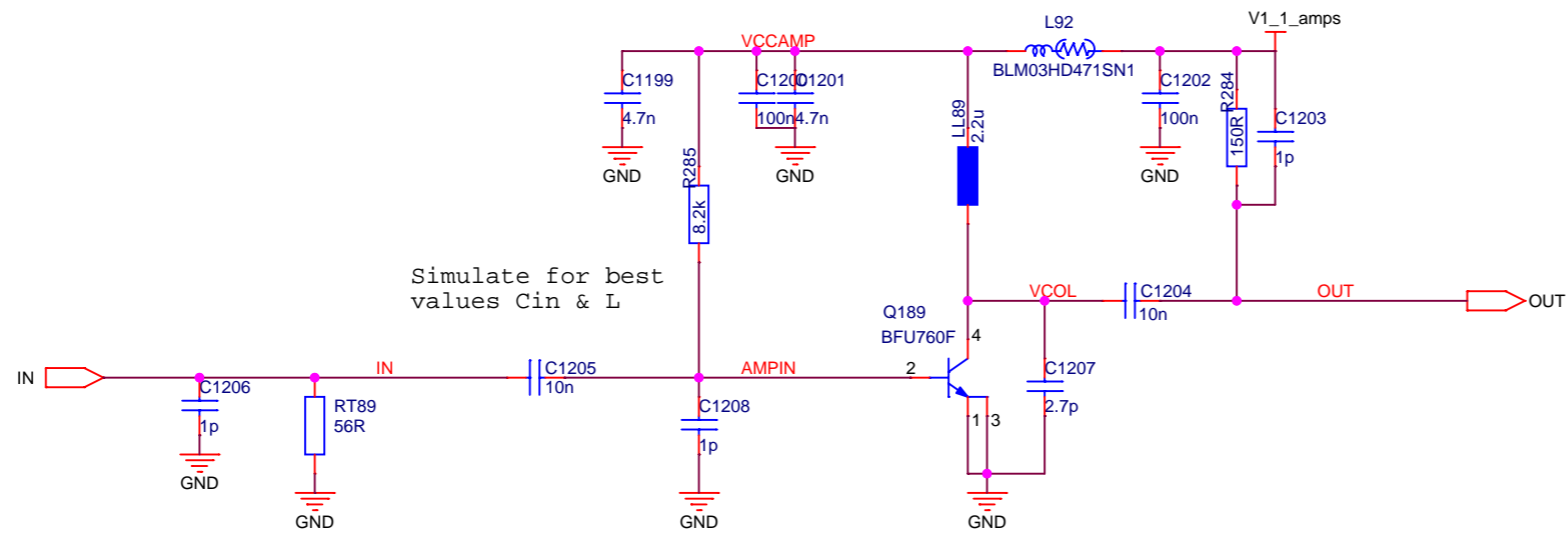


| | | |
|---|--|--------------------|
|  | Gesellschaft für Schwerionenforschung mbH Planckstrasse 1 D-64291 Darmstadt GERMANY www.gsi.de | |
| | 2 CHANNEL CHARGE & TIMING INPUT STAGE | |
| Design: K:\GSI\JOB\SCIF\SCIFI_652_AMP1\SCIFI_652_AMP1.DSN | | Size: A3 |
| Modified: Thursday, March 06, 2025 | | Page: 1 / 12 |
| Designer: H. Haggan | | Layouter: H. Kavan |

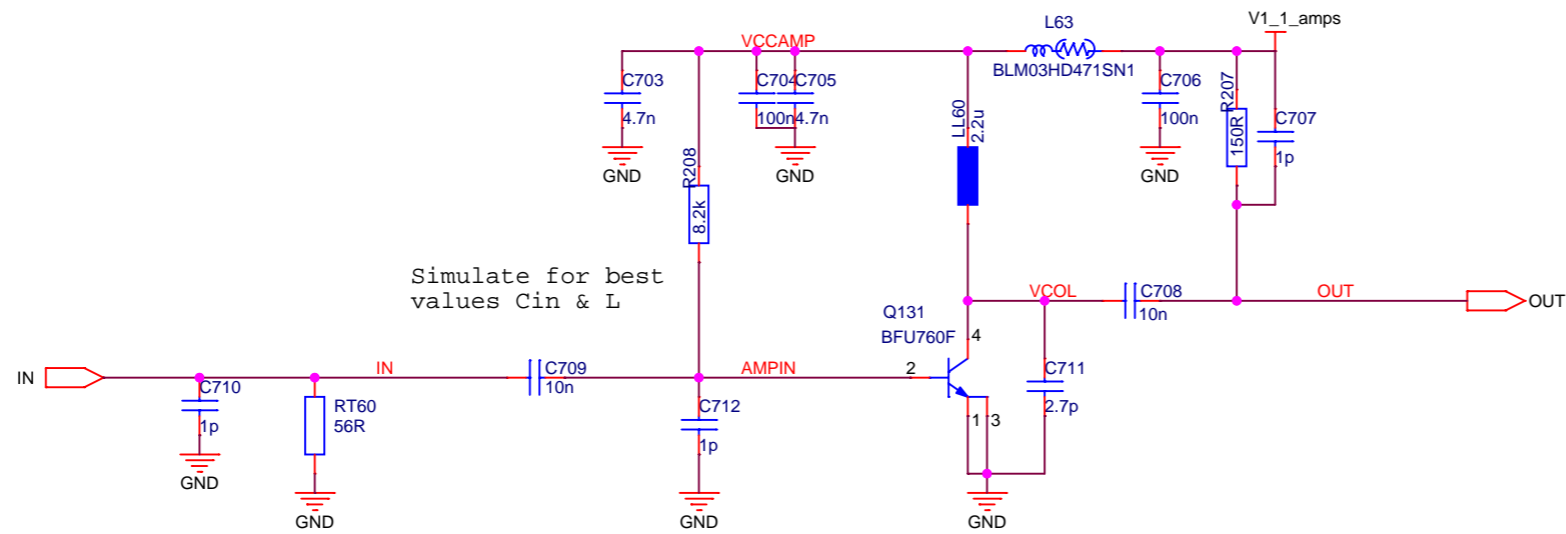


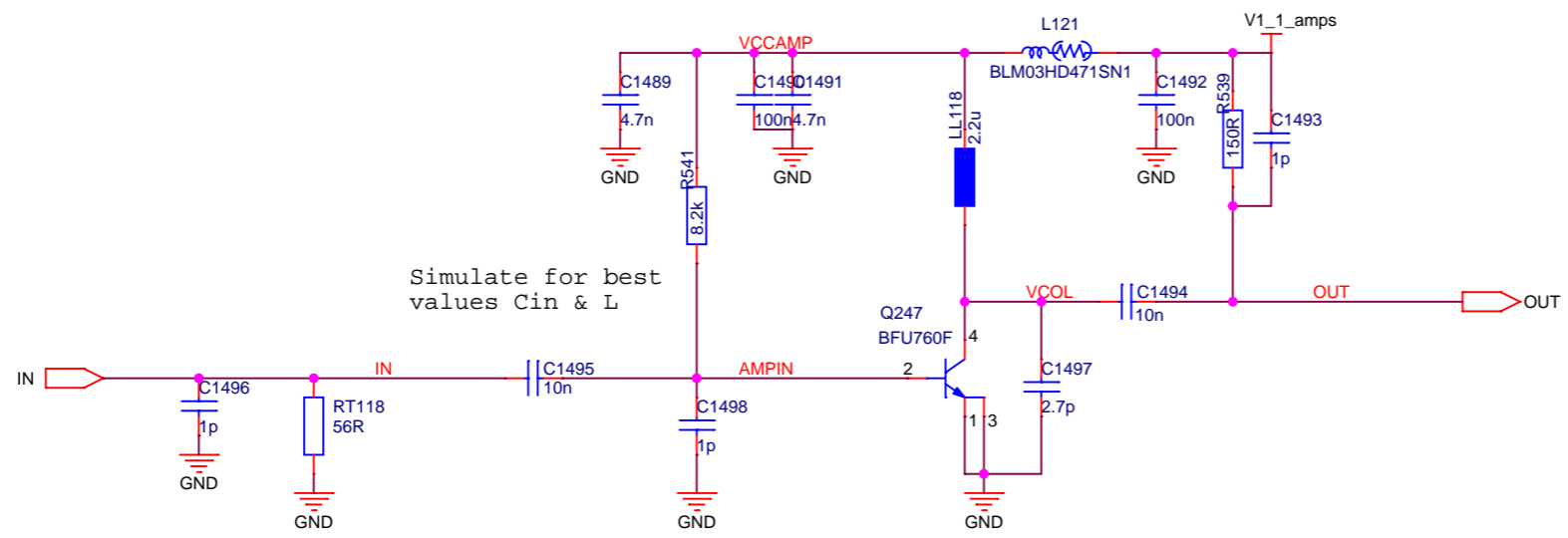
| | | |
|---|--|--|
|  | Gesellschaft für Schwerionenforschung mbH Planckstrasse 1 D-64291 Darmstadt GERMANY www.gsi.de | |
| | 2 CHANNEL CHARGE & TIMING INPUT STAGE | |
| Design: K:\GSI\JOB\SCIF\SCIFI_652_AMP1\SCIFI_652_AMP1.DSN Modified: Thursday, March 06, 2025 Designer: H. Haggren | | |
| | | Size: A3 Page: 1 / 12 Layouter: H. Kavan |



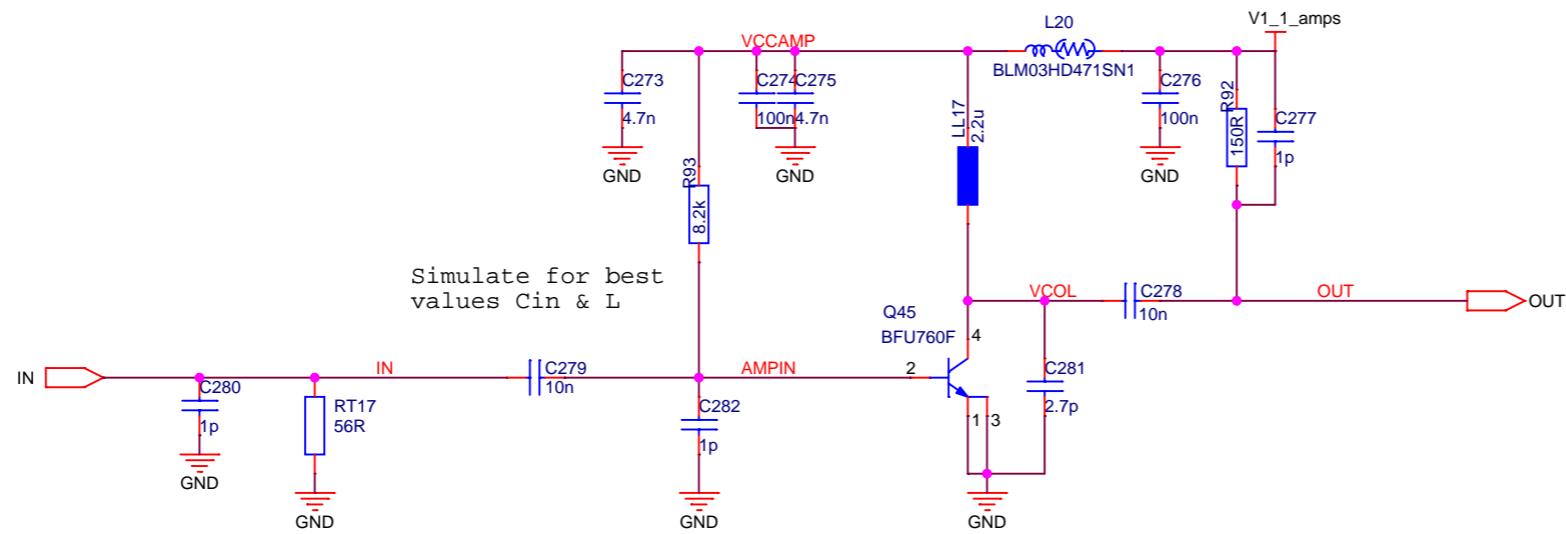


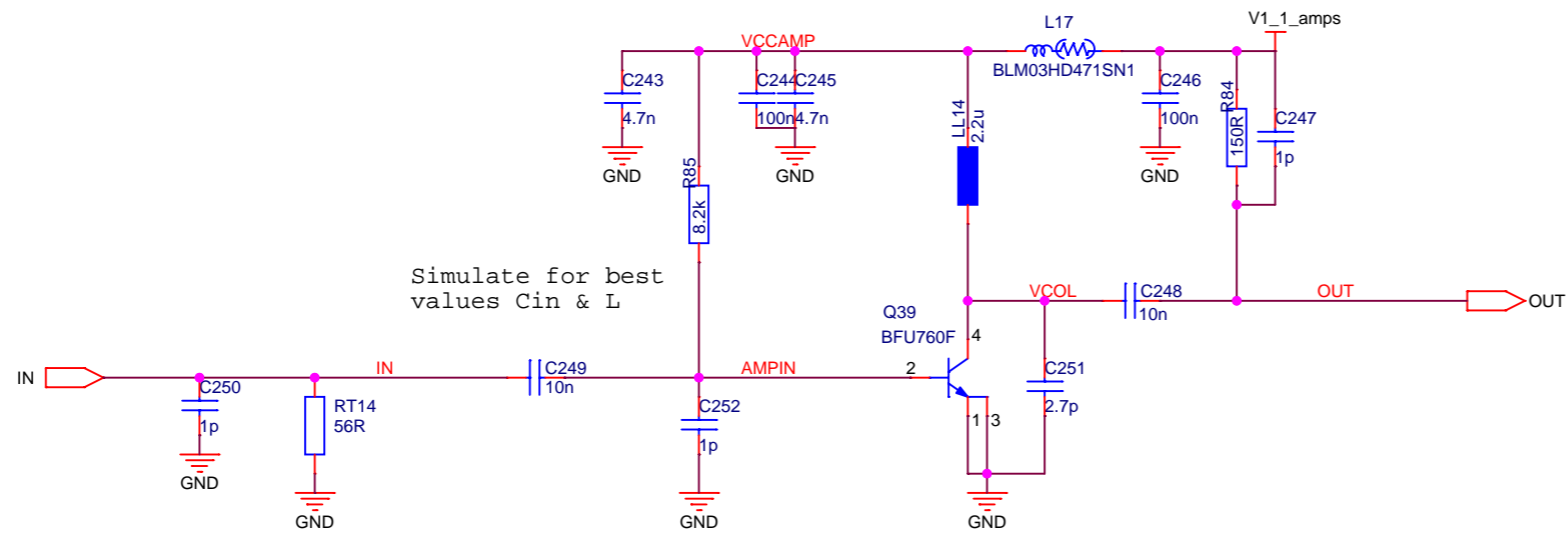
| | | |
|---|--|--------------------|
|  | Gesellschaft für Schwerionenforschung mbH Planckstrasse 1 D-64291 Darmstadt GERMANY www.gsi.de | |
| | 2 CHANNEL CHARGE & TIMING INPUT STAGE | |
| Design: K:\GSI\JOB\SCIFI\SCIFI_652_AMP1\SCIFI_652_AMP1.DSN | | Size: A3 |
| Modified: Thursday, March 06, 2025 | | Page: 1 / 12 |
| Designer: H. Haggren | | Layouter: H. Kavan |




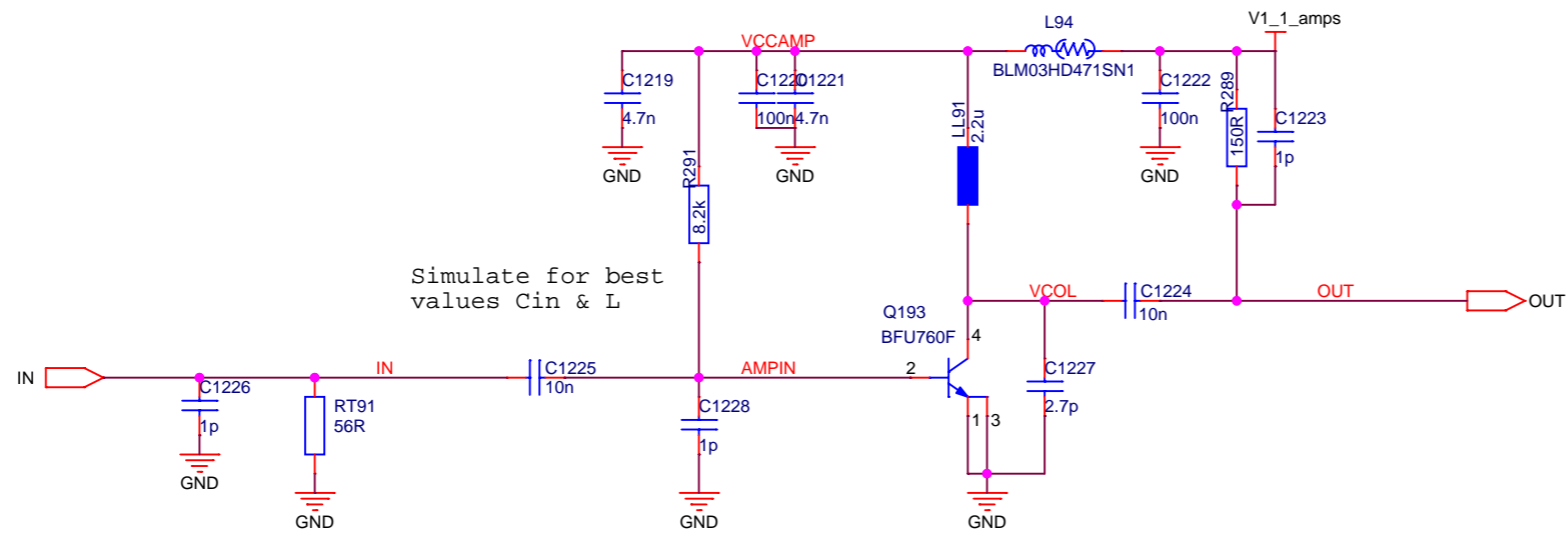


| | | |
|--|--|--------------|
|  | Gesellschaft für Schwerionenforschung mbH Planckstrasse 1 D-64291 Darmstadt GERMANY www.gsi.de | |
| | 2 CHANNEL CHARGE & TIMING INPUT STAGE | |
| Design: K:\GSI\JOB\SCIFI\SCIFI_652_AMP1\SCIFI_652_AMP1.DSN Modified: Thursday, March 06, 2025 Designer: H. Haggren | Size: A3 Layouter: H. Kavan | Page: 1 / 12 |

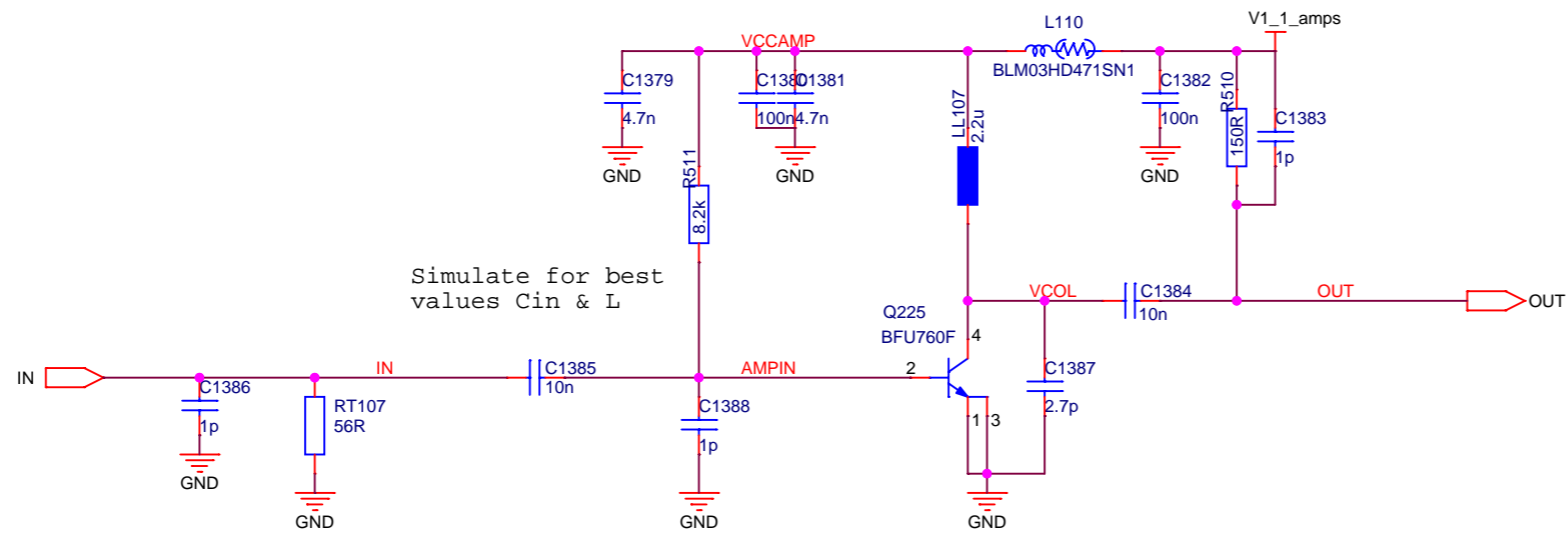





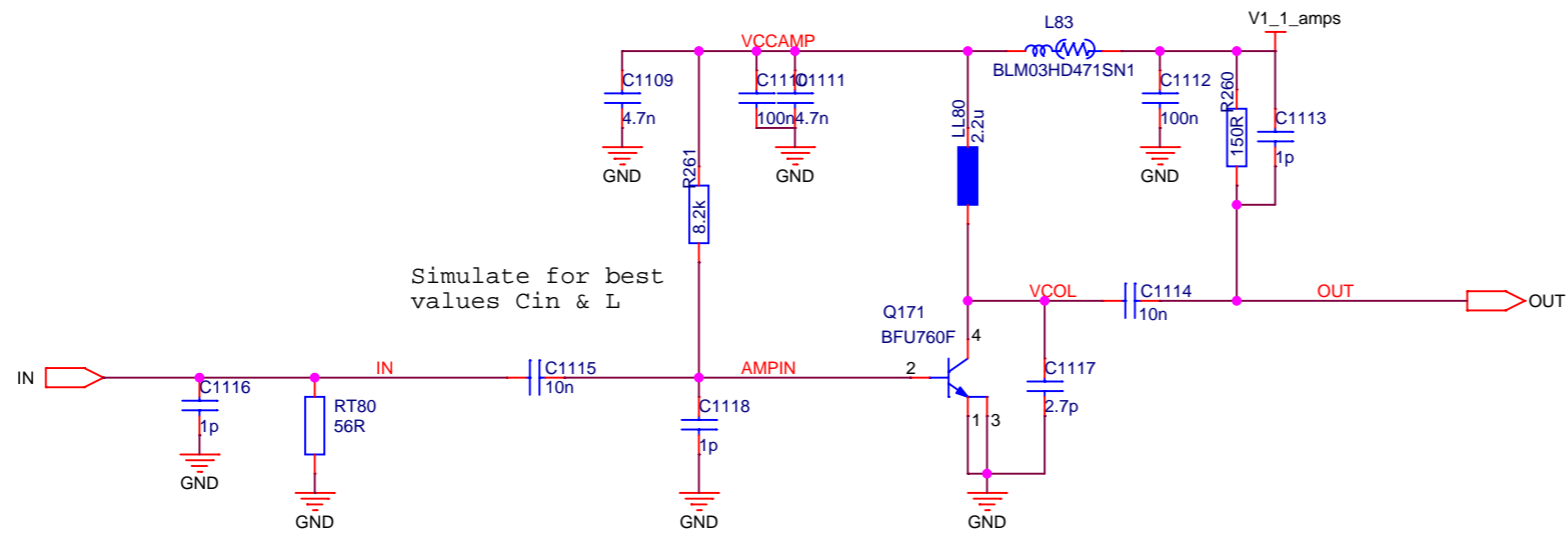
| | | |
|---|--|--------------|
|  | Gesellschaft für Schwerionenforschung mbH Planckstrasse 1 D-64291 Darmstadt GERMANY www.gsi.de | |
| | 2 CHANNEL CHARGE & TIMING INPUT STAGE | |
| Design: K:\GSI\JOB\SCIF\SCIFI_652_AMP1\SCIFI_652_AMP1.DSN Modified: Thursday, March 06, 2025 Designer: H. Haggren | Size: A3 Layouter: H. Kavan | Page: 1 / 12 |

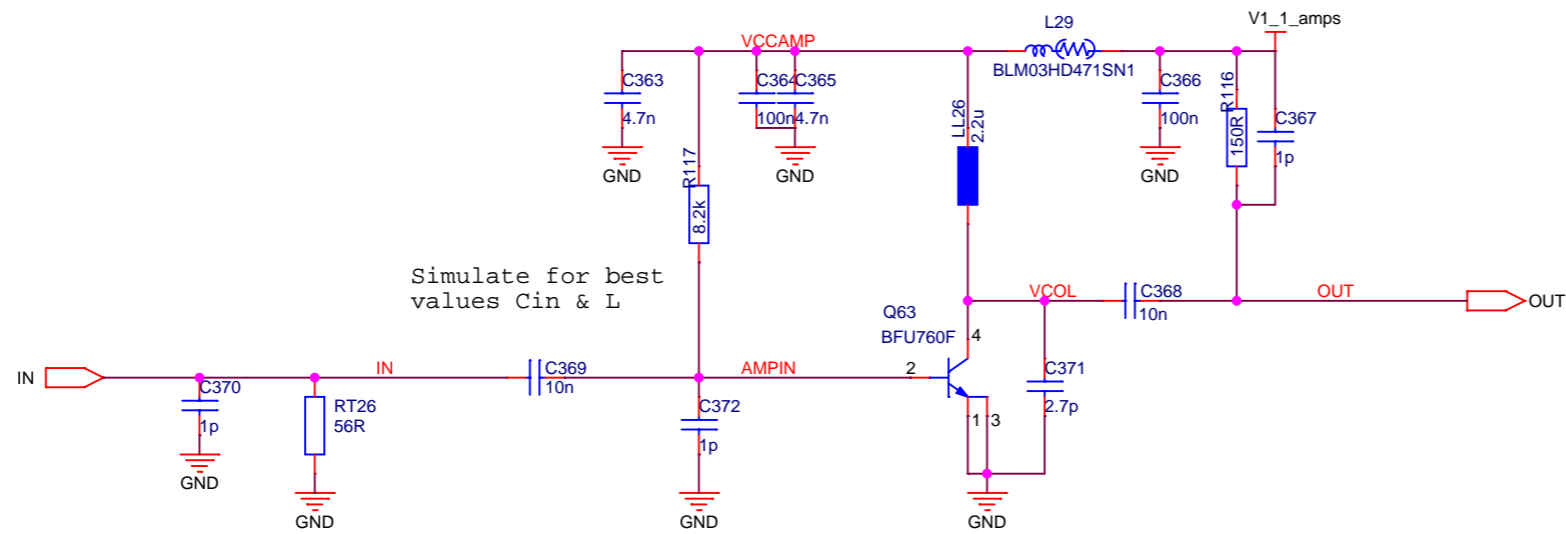


| | | |
|---|--|--------------------|
|  | Gesellschaft für Schwerionenforschung mbH Planckstrasse 1 D-64291 Darmstadt GERMANY www.gsi.de | |
| | 2 CHANNEL CHARGE & TIMING INPUT STAGE | |
| Design: K:\GSI\JOB\SCIFI\SCIFI_652_AMP1\SCIFI_652_AMP1.DSN | | Size: A3 |
| Modified: Thursday, March 06, 2025 | | Page: 1 / 12 |
| Designer: H. Haggren | | Layouter: H. Kavan |

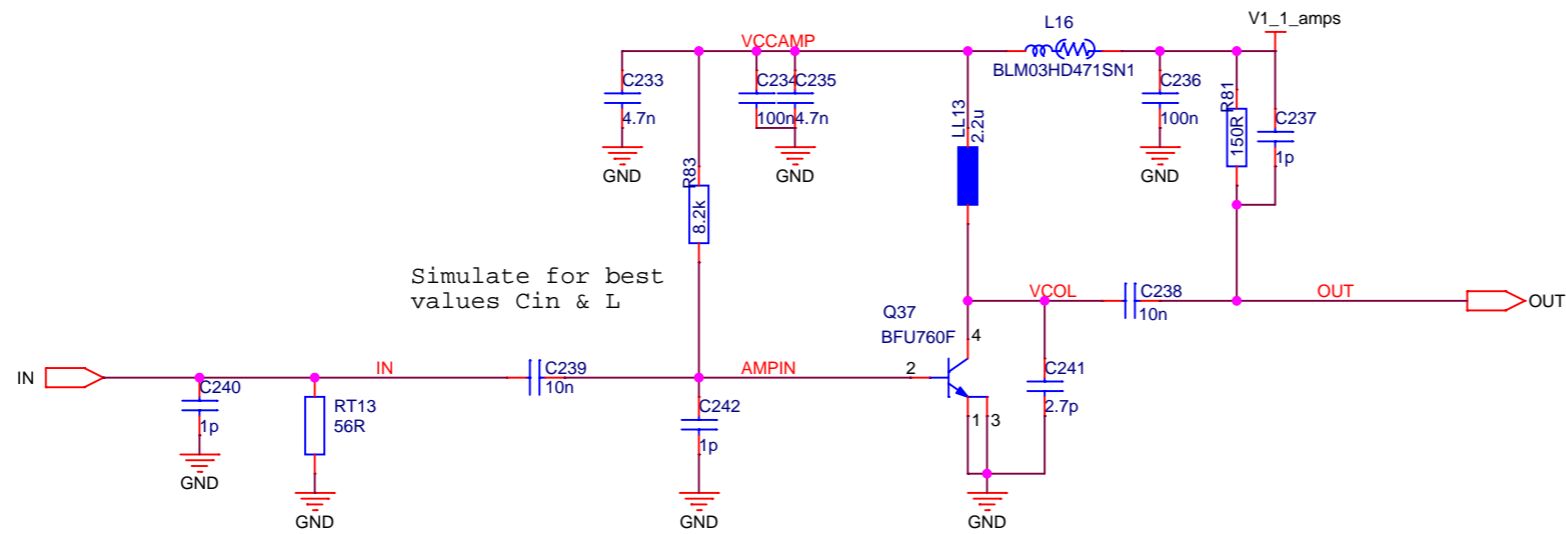


| | | |
|---|--|--------------|
|  | Gesellschaft für Schwerionenforschung mbH Planckstrasse 1 D-64291 Darmstadt GERMANY www.gsi.de | |
| | 2 CHANNEL CHARGE & TIMING INPUT STAGE | |
| Design: K:\GSI\JOB\SCIF\SCIFI_652_AMP1\SCIFI_652_AMP1.DSN Modified: Thursday, March 06, 2025 Designer: H. Haggren | Size: A3 Layouter: H. Kavan | Page: 1 / 12 |

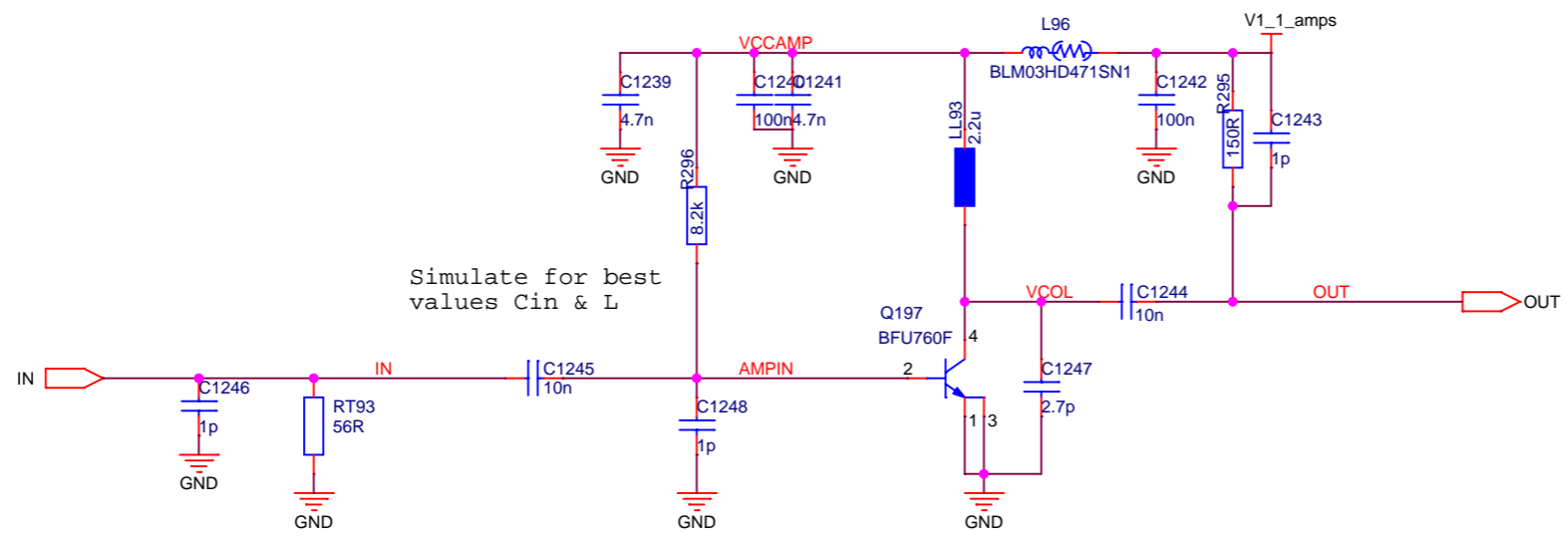




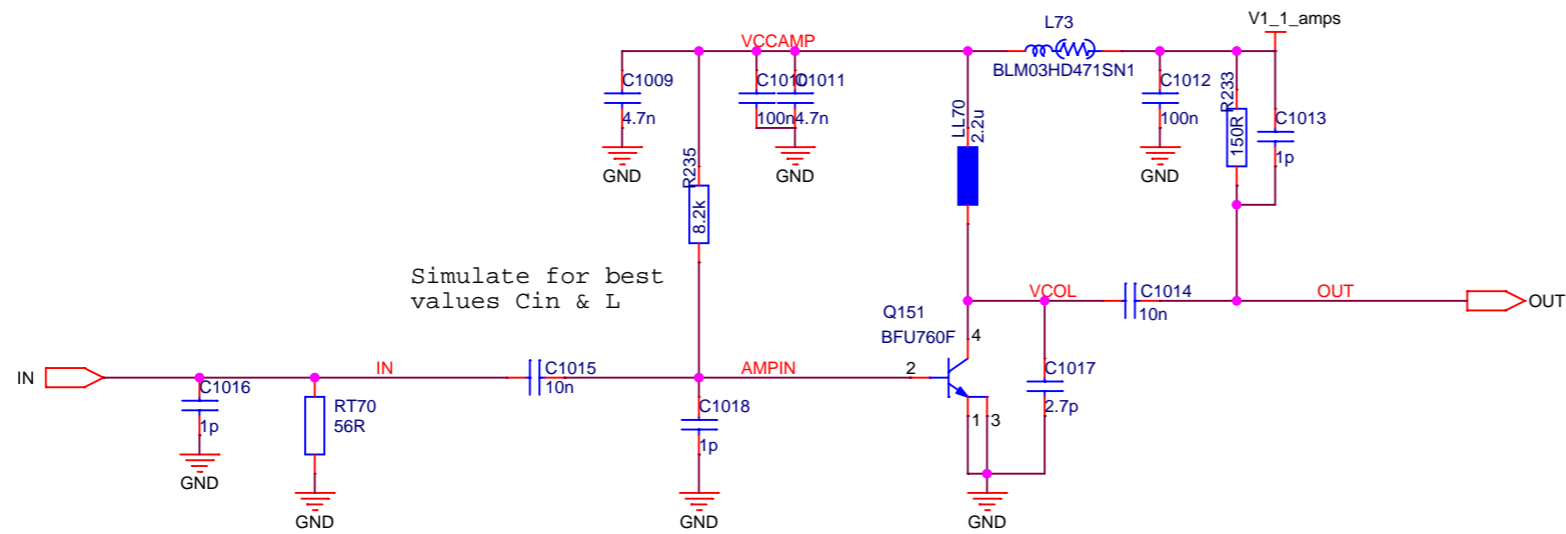
| | | |
|---|--|--------------|
|  | Gesellschaft für Schwerionenforschung mbH Planckstrasse 1 D-64291 Darmstadt GERMANY www.gsi.de | |
| | 2 CHANNEL CHARGE & TIMING INPUT STAGE | |
| Design: K:\GSI\JOB\SCIF\SCIFI_652_AMP1\SCIFI_652_AMP1.DSN Modified: Thursday, March 06, 2025 Designer: H. Haggren | Size: A3 Layouter: H. Kavan | Page: 1 / 12 |



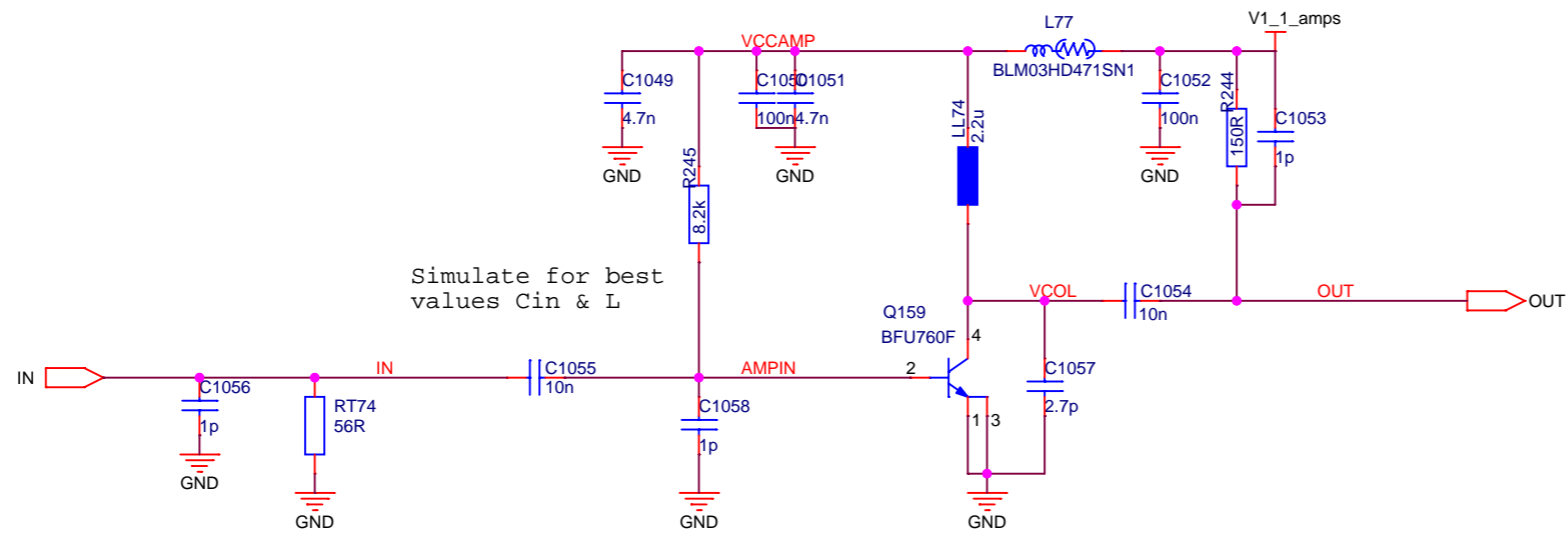
| | | |
|---|--|--------------------|
|  | Gesellschaft für Schwerionenforschung mbH Planckstrasse 1 D-64291 Darmstadt GERMANY www.gsi.de | |
| | 2 CHANNEL CHARGE & TIMING INPUT STAGE | |
| Design: K:\GSI\JOB\SCIF\SCIFI_652_AMP1\SCIFI_652_AMP1.DSN | | Size: A3 |
| Modified: Thursday, March 06, 2025 | | Page: 1 / 12 |
| Designer: H. Haggren | | Layouter: H. Kavan |

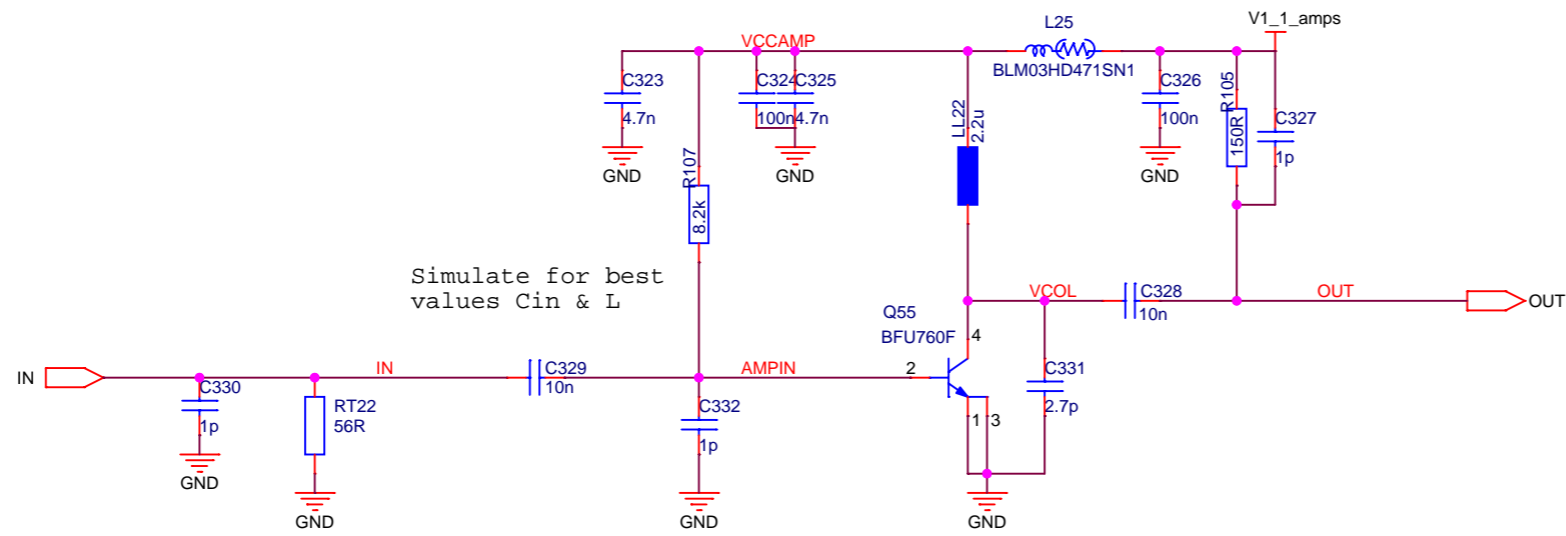


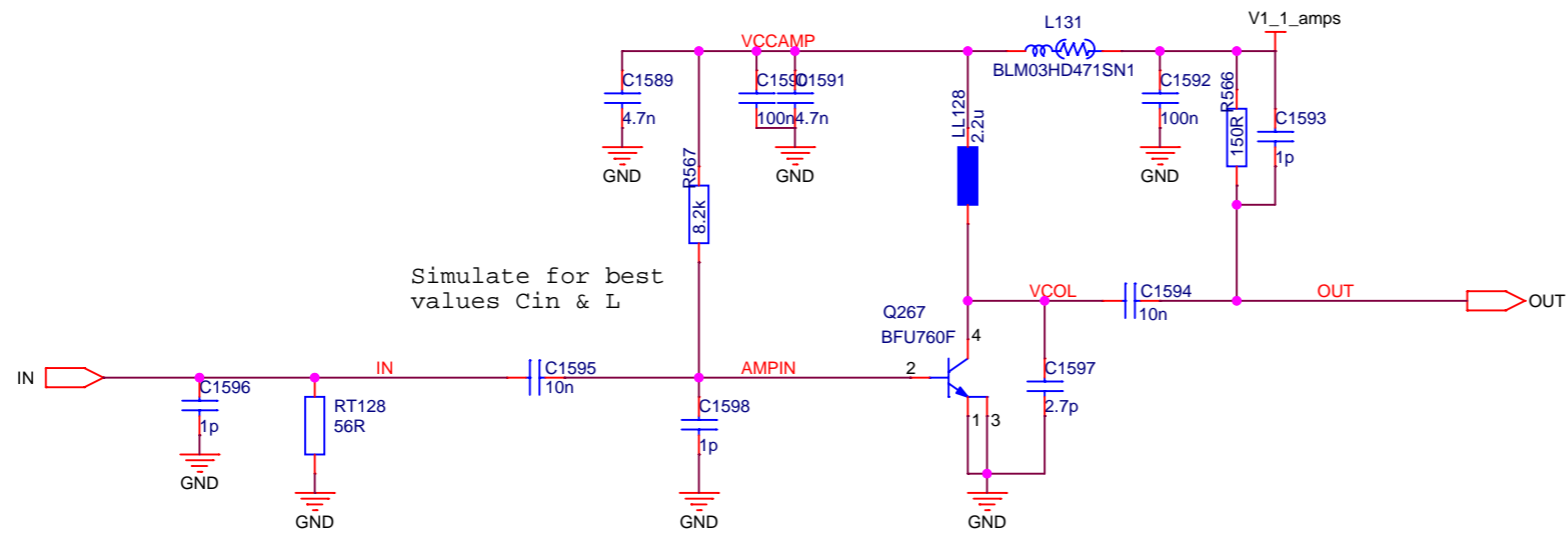
| | | |
|---|--|--------------|
|  | Gesellschaft für Schwerionenforschung mbH Planckstrasse 1 D-64291 Darmstadt GERMANY www.gsi.de | |
| | 2 CHANNEL CHARGE & TIMING INPUT STAGE | |
| Design: K:\GSI\JOB\SCIF\SCIFI_652_AMP1\SCIFI_652_AMP1.DSN Modified: Thursday, March 06, 2025 Designer: H. Haggren | Size: A3 Layouter: H. Kavan | Page: 1 / 12 |

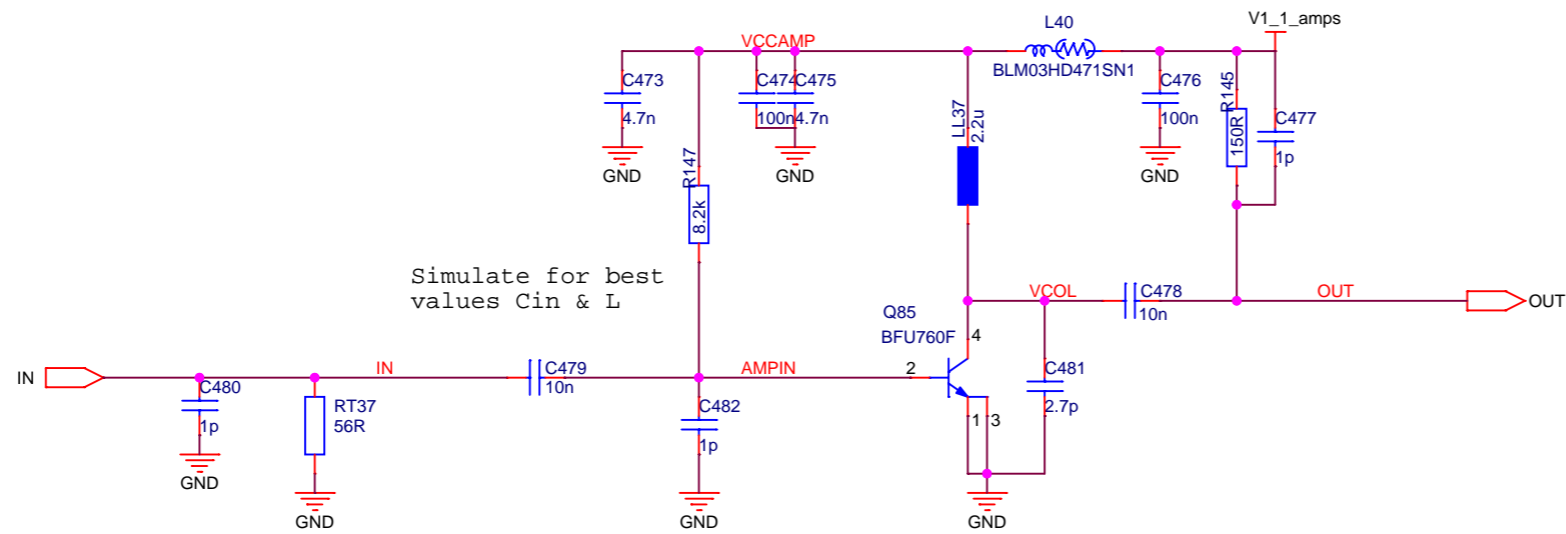


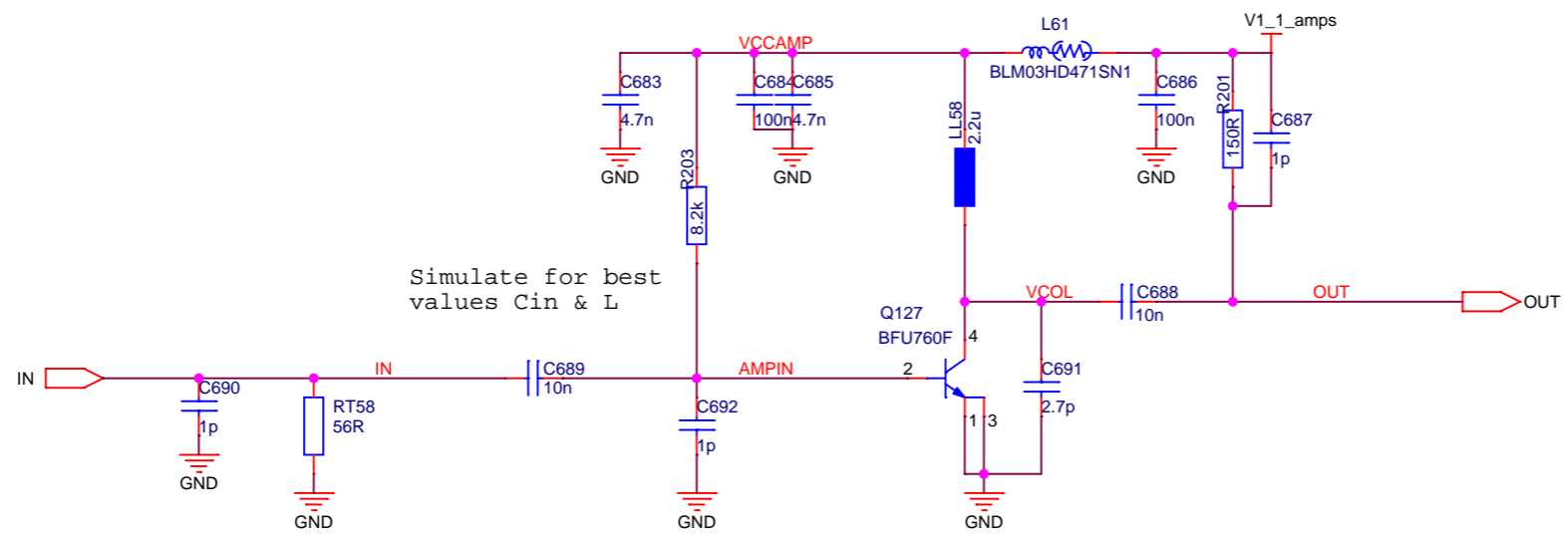
| | | |
|---|--|--------------------|
|  | Gesellschaft für Schwerionenforschung mbH Planckstrasse 1 D-64291 Darmstadt GERMANY www.gsi.de | |
| | 2 CHANNEL CHARGE & TIMING INPUT STAGE | |
| Design: K:\GSI\JOB\SCIF\SCIFI_652_AMP1\SCIFI_652_AMP1.DSN | | Size: A3 |
| Modified: Thursday, March 06, 2025 | | Page: 1 / 12 |
| Designer: H. Haggan | | Layouter: H. Kavan |



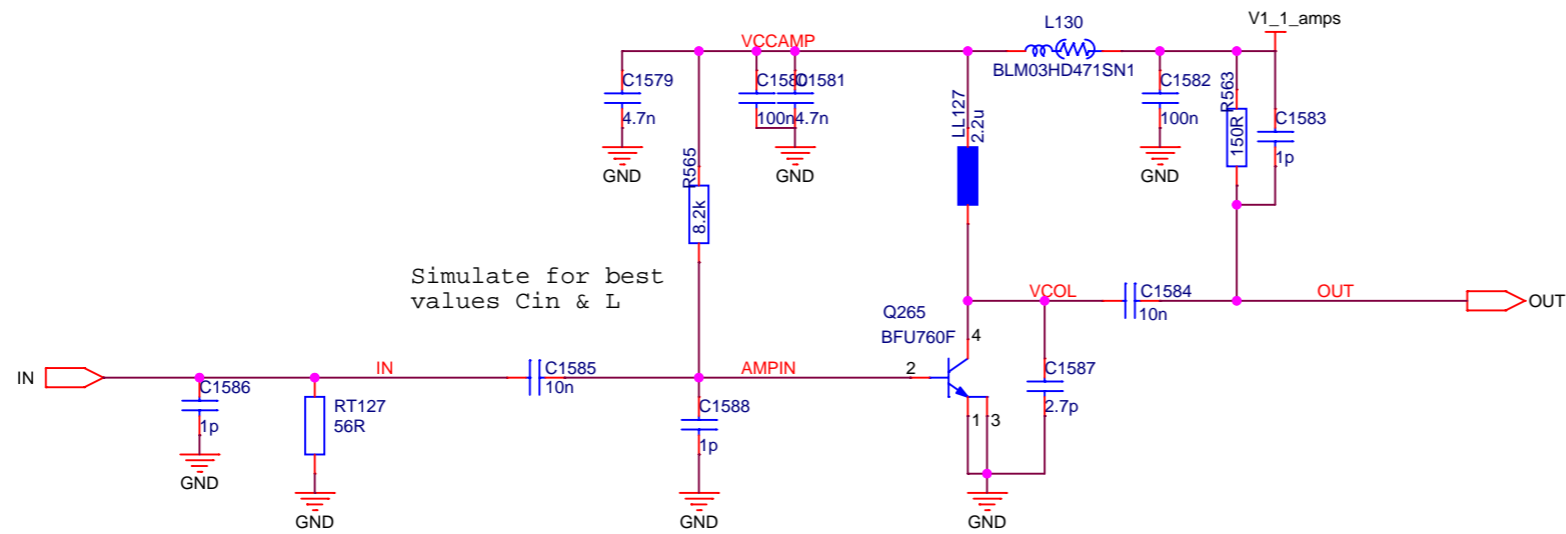


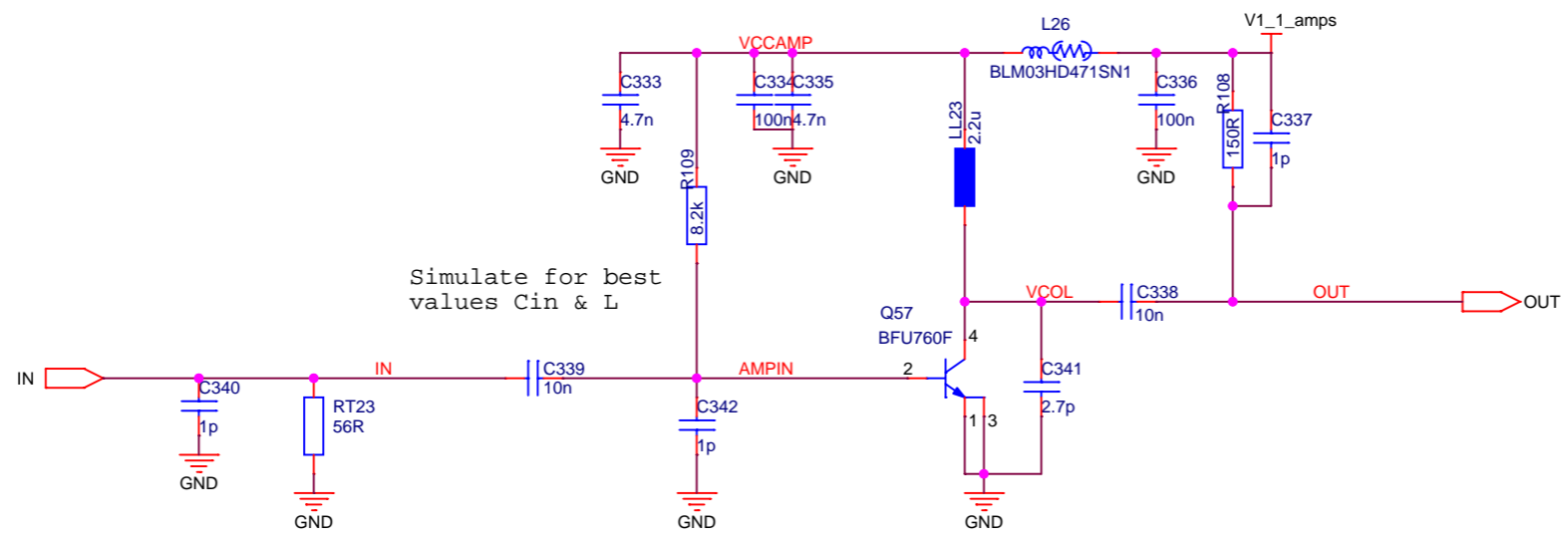




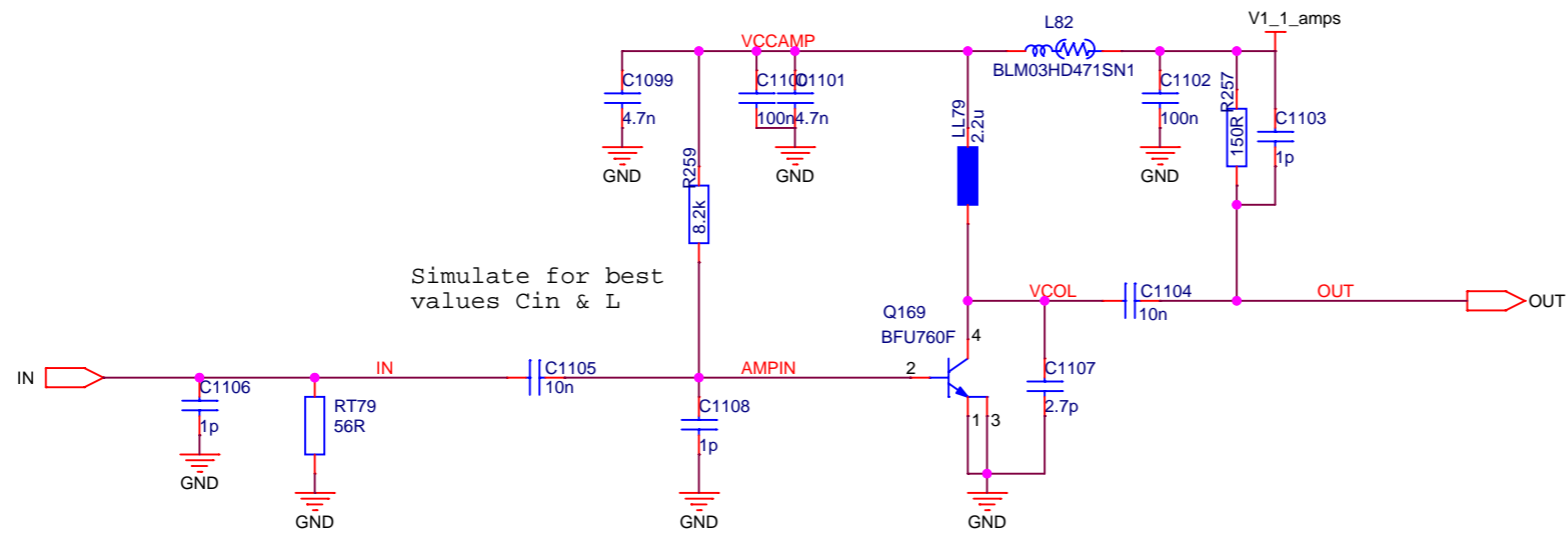


| | | |
|---|--|--------------------|
|  | Gesellschaft für Schwerionenforschung mbH Planckstrasse 1 D-64291 Darmstadt GERMANY www.gsi.de | |
| | 2 CHANNEL CHARGE & TIMING INPUT STAGE | |
| Design: K:\GSI\JOB\SCIF\SCIFI_652_AMP1\SCIFI_652_AMP1.DSN | | Size: A3 |
| Modified: Thursday, March 06, 2025 | | Page: 1 / 12 |
| Designer: H. Haggan | | Layouter: H. Kavan |

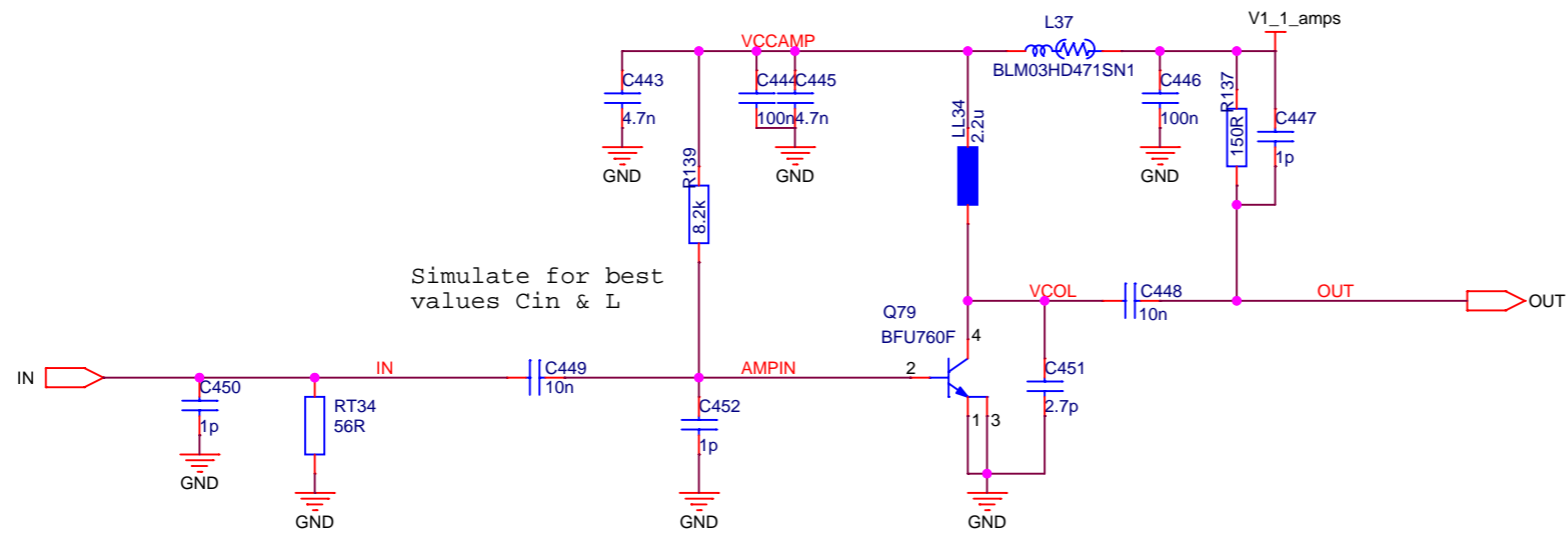





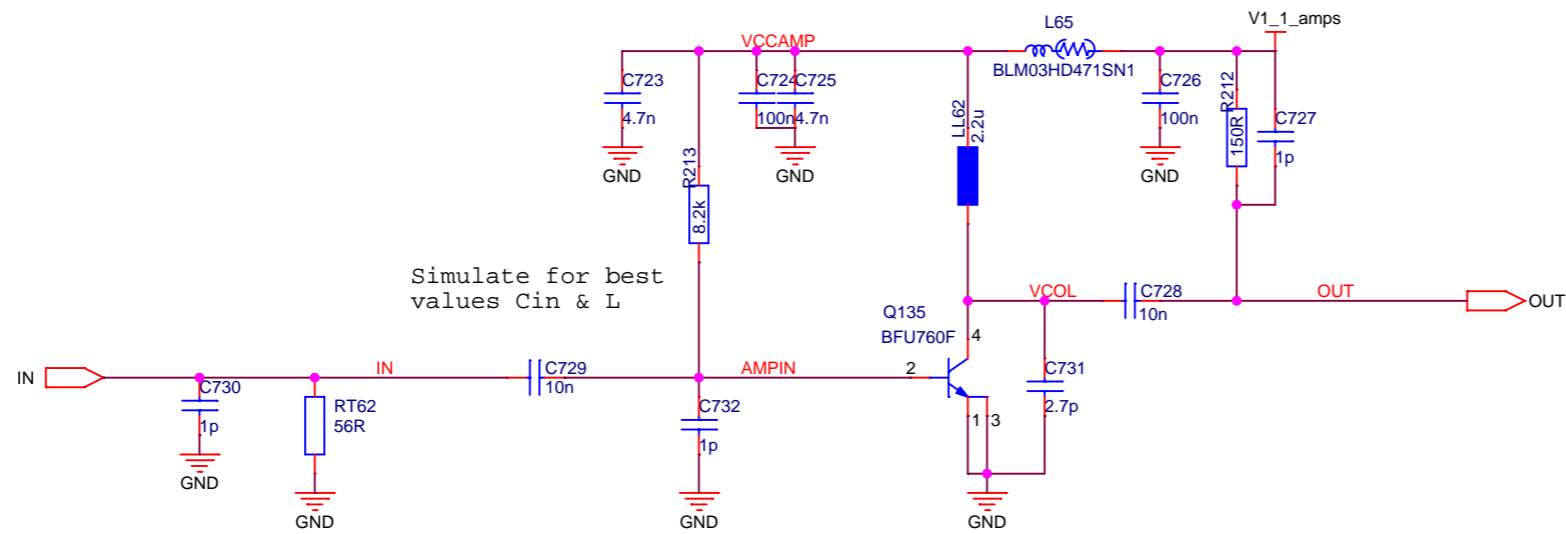
| | | |
|---|--|--------------------|
|  | Gesellschaft für Schwerionenforschung mbH Planckstrasse 1 D-64291 Darmstadt GERMANY www.gsi.de | |
| | 2 CHANNEL CHARGE & TIMING INPUT STAGE | |
| Design: K:\GSI\JOB\SCIF\SCIFI_652_AMP1\SCIFI_652_AMP1.DSN | | Size: A3 |
| Modified: Thursday, March 06, 2025 | | Page: 1 / 12 |
| Designer: H. Haggren | | Layouter: H. Kavan |

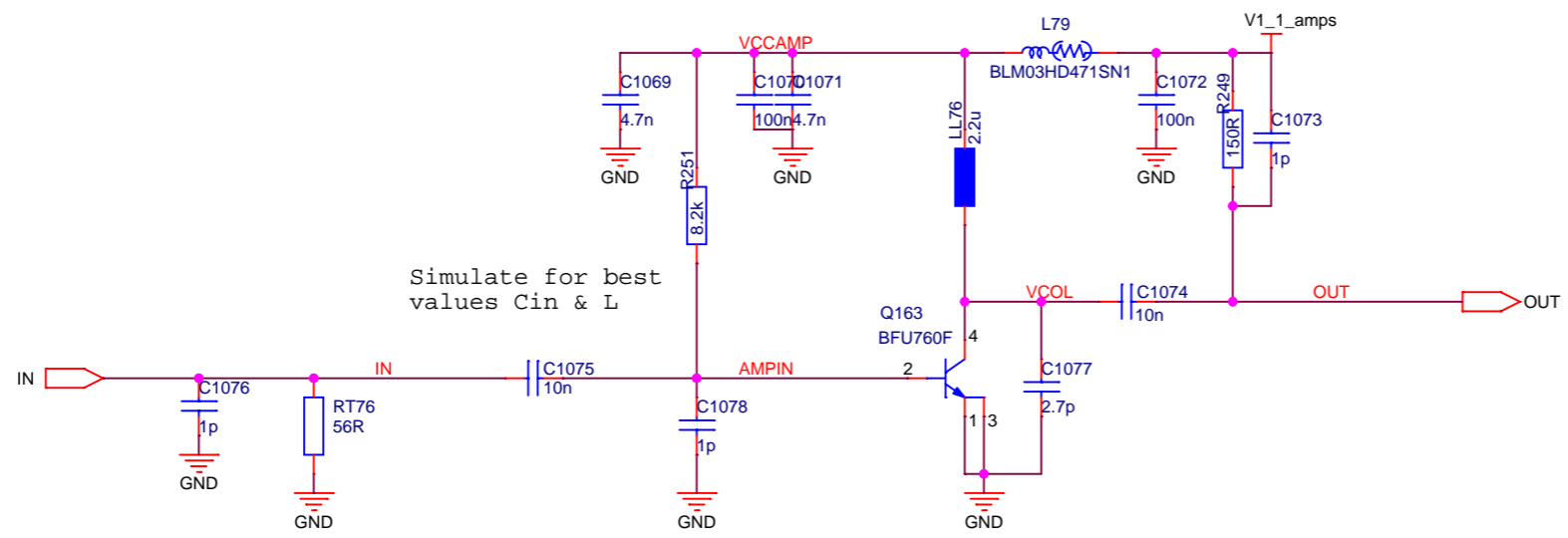


| | | |
|---|--|--------------------|
|  | Gesellschaft für Schwerionenforschung mbH Planckstrasse 1 D-64291 Darmstadt GERMANY www.gsi.de | |
| | 2 CHANNEL CHARGE & TIMING INPUT STAGE | |
| Design: K:\GSI\JOB\SCIFI\SCIFI_652_AMP1\SCIFI_652_AMP1.DSN | | Size: A3 |
| Modified: Thursday, March 06, 2025 | | Page: 1 / 12 |
| Designer: H. Haggren | | Layouter: H. Kavan |

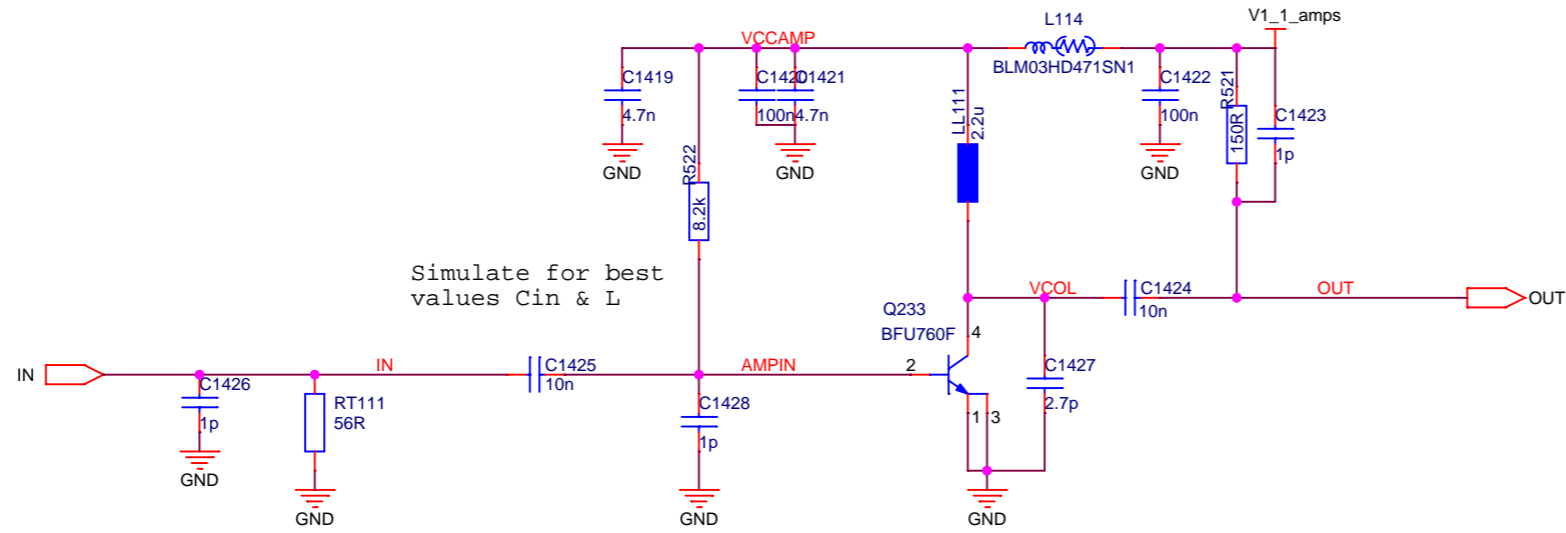


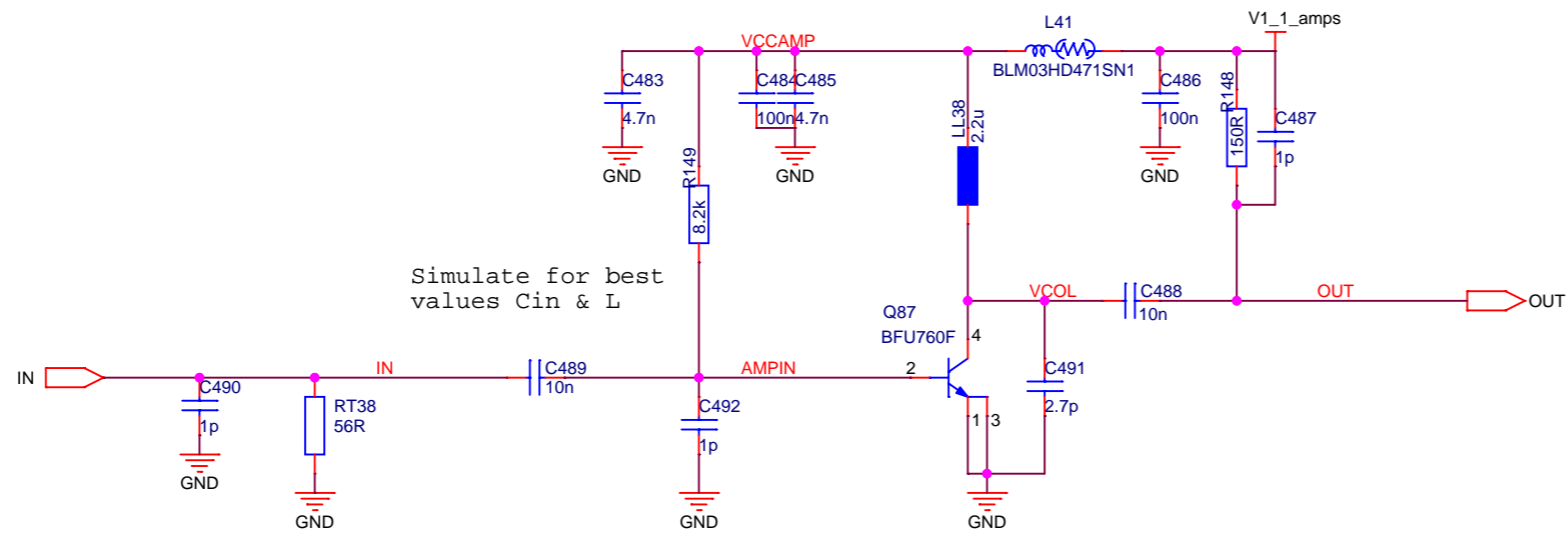
| | | |
|---|--|--------------------|
|  | Gesellschaft für Schwerionenforschung mbH Planckstrasse 1 D-64291 Darmstadt GERMANY www.gsi.de | |
| | 2 CHANNEL CHARGE & TIMING INPUT STAGE | |
| Design: K:\GSI\JOB\SCIF\SCIFI_652_AMP1\SCIFI_652_AMP1.DSN | | Size: A3 |
| Modified: Thursday, March 06, 2025 | | Page: 1 / 12 |
| Designer: H. Haggren | | Layouter: H. Kavan |

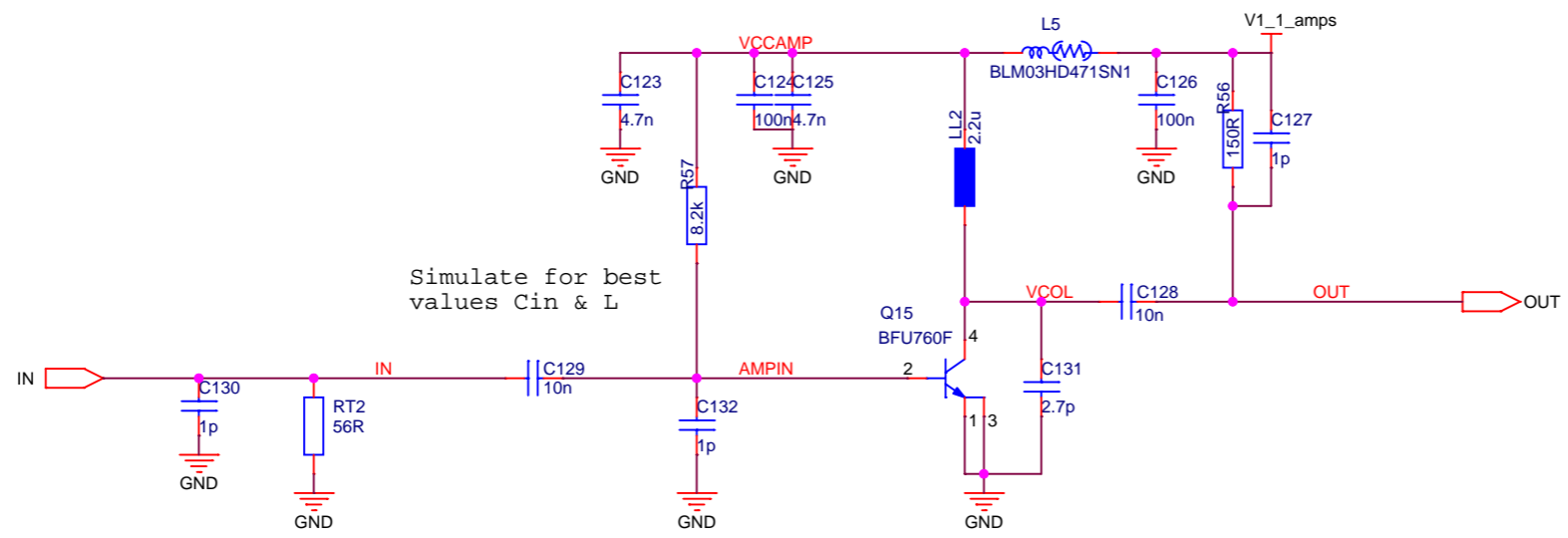




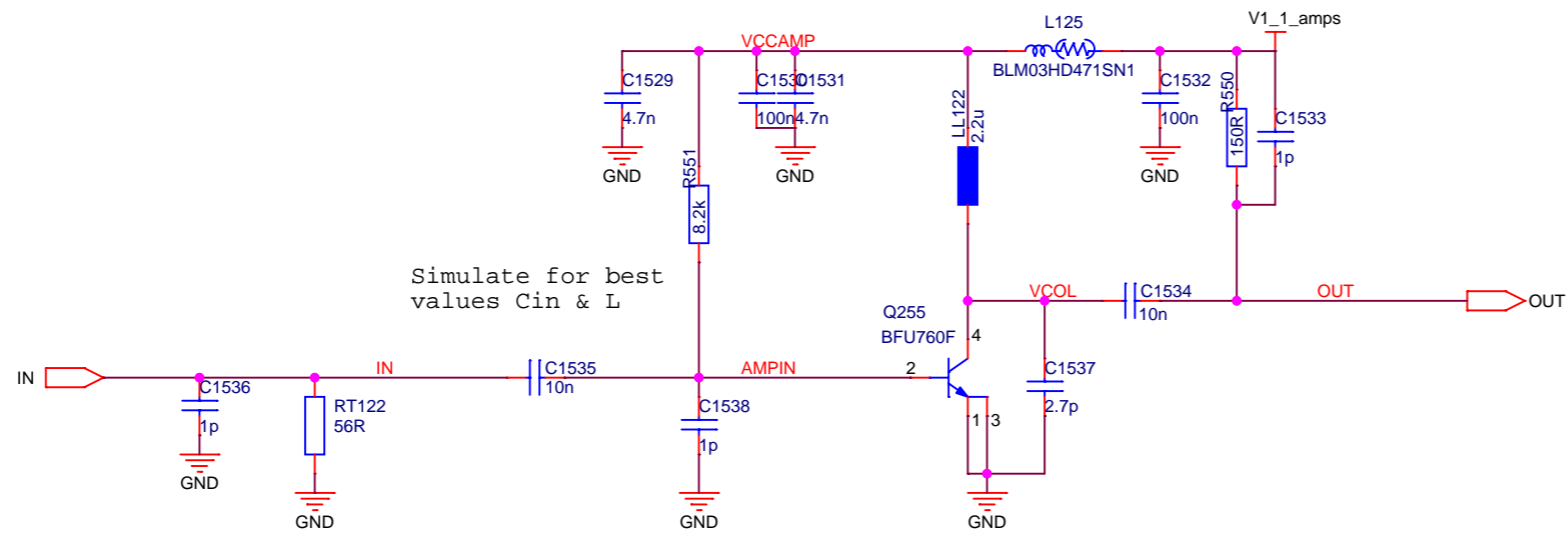
| | | |
|---|--|--------------|
|  | Gesellschaft für Schwerionenforschung mbH Planckstrasse 1 D-64291 Darmstadt GERMANY www.gsi.de | |
| | 2 CHANNEL CHARGE & TIMING INPUT STAGE | |
| Design: K:\GSI\JOB\SCIF\SCIFI_652_AMP1\SCIFI_652_AMP1.DSN Modified: Thursday, March 06, 2025 Designer: H. Haggren | Size: A3 Layouter: H. Kavan | Page: 1 / 12 |

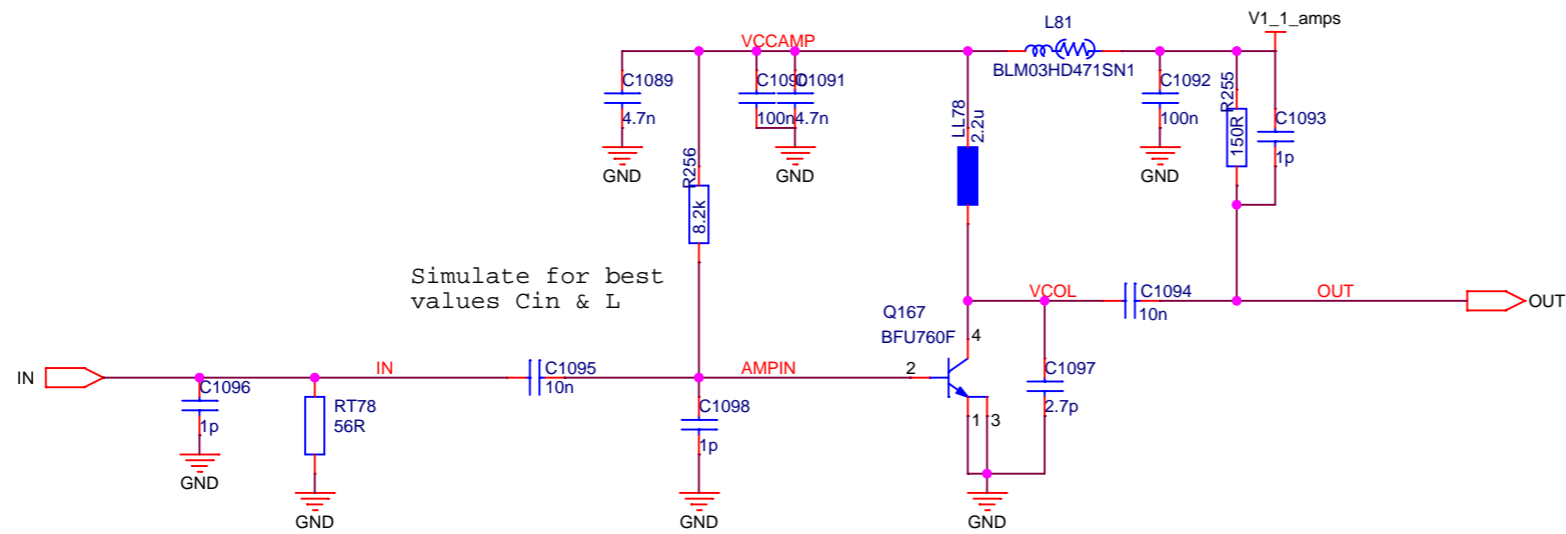


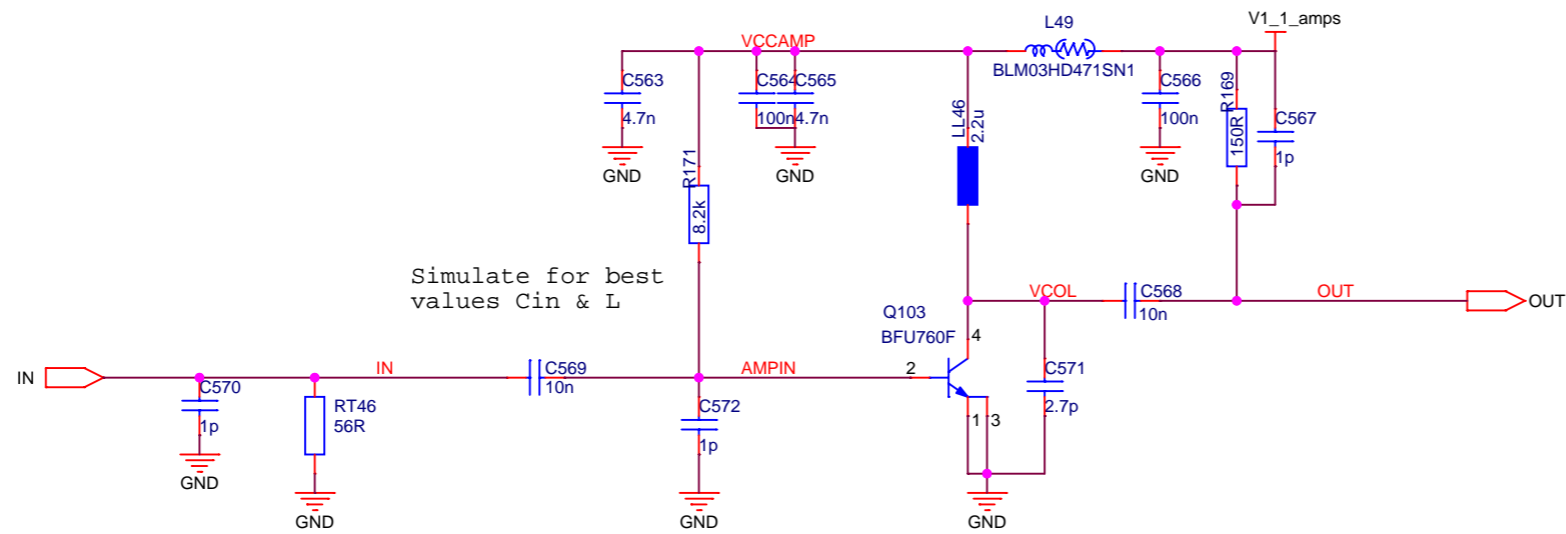




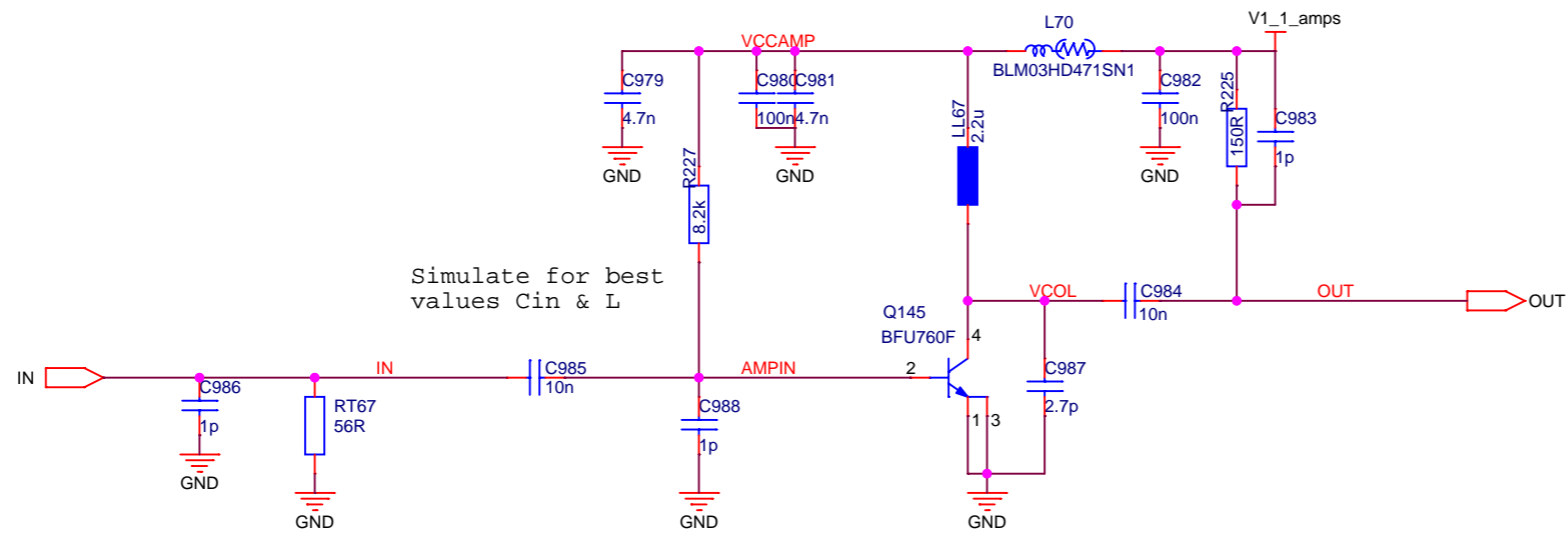
| | | |
|---|--|--------------------|
|  | Gesellschaft für Schwerionenforschung mbH Planckstrasse 1 D-64291 Darmstadt GERMANY www.gsi.de | |
| | 2 CHANNEL CHARGE & TIMING INPUT STAGE | |
| Design: K:\GSI\JOB\SCIF\SCIFI_652_AMP1\SCIFI_652_AMP1.DSN | | Size: A3 |
| Modified: Thursday, March 06, 2025 | | Page: 1 / 12 |
| Designer: H. Haggren | | Layouter: H. Kavan |

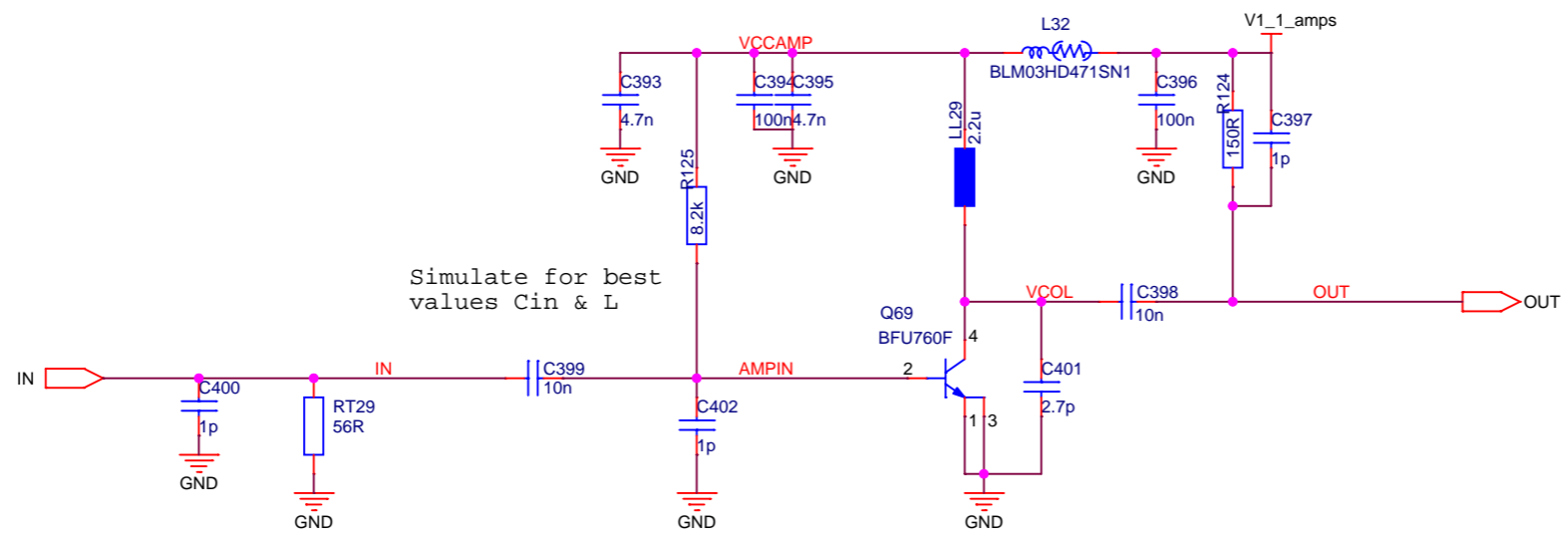


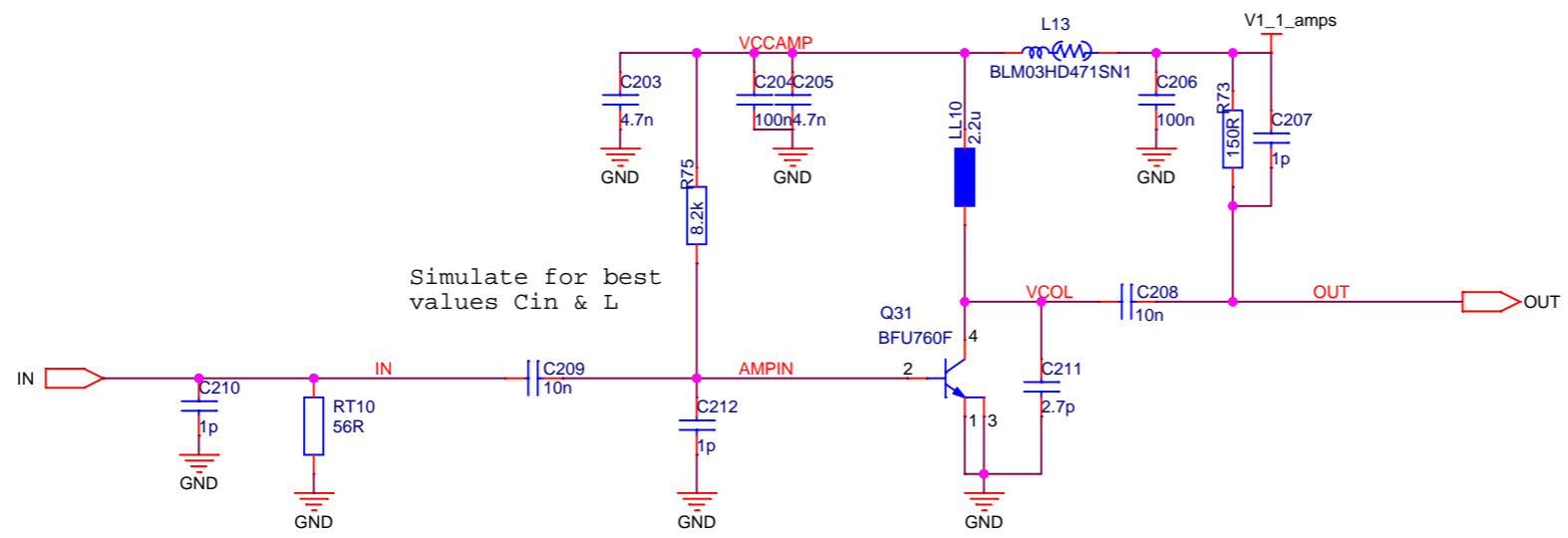




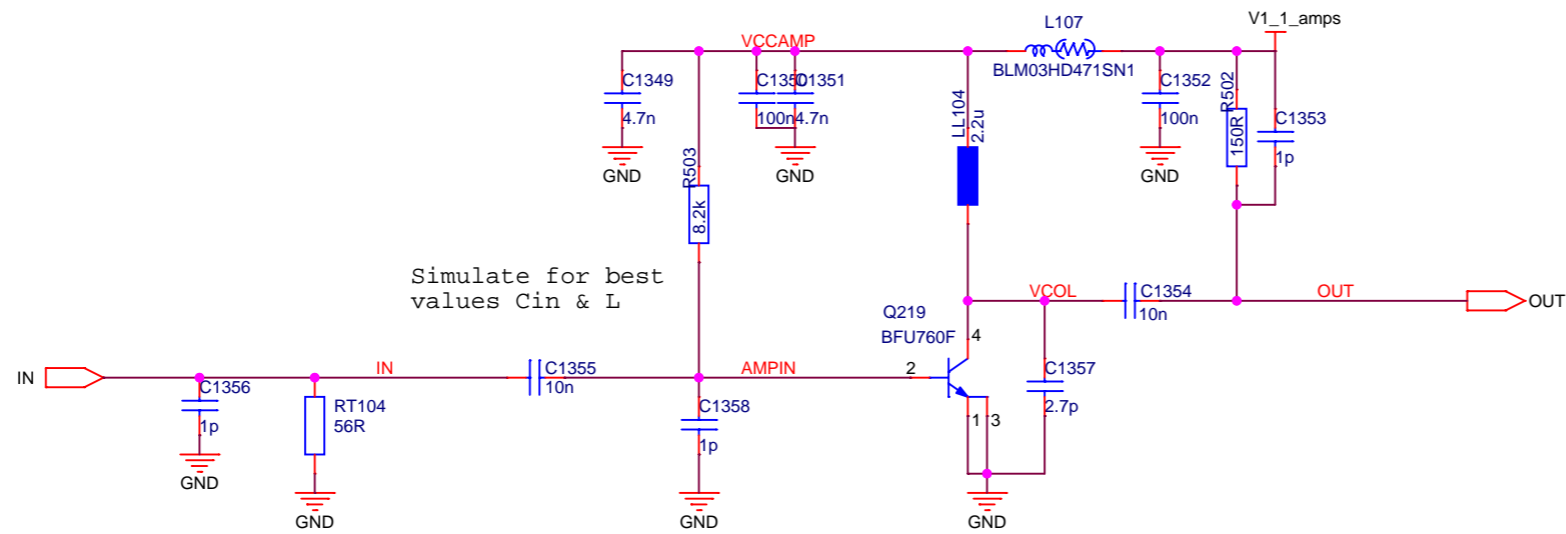
| | | |
|---|--|--------------------|
|  | Gesellschaft für Schwerionenforschung mbH Planckstrasse 1 D-64291 Darmstadt GERMANY www.gsi.de | |
| | 2 CHANNEL CHARGE & TIMING INPUT STAGE | |
| Design: K:\GSI\JOB\SCIF\SCIFI_652_AMP1\SCIFI_652_AMP1.DSN | | Size: A3 |
| Modified: Thursday, March 06, 2025 | | Page: 1 / 12 |
| Designer: H. Haggren | | Layouter: H. Kavan |

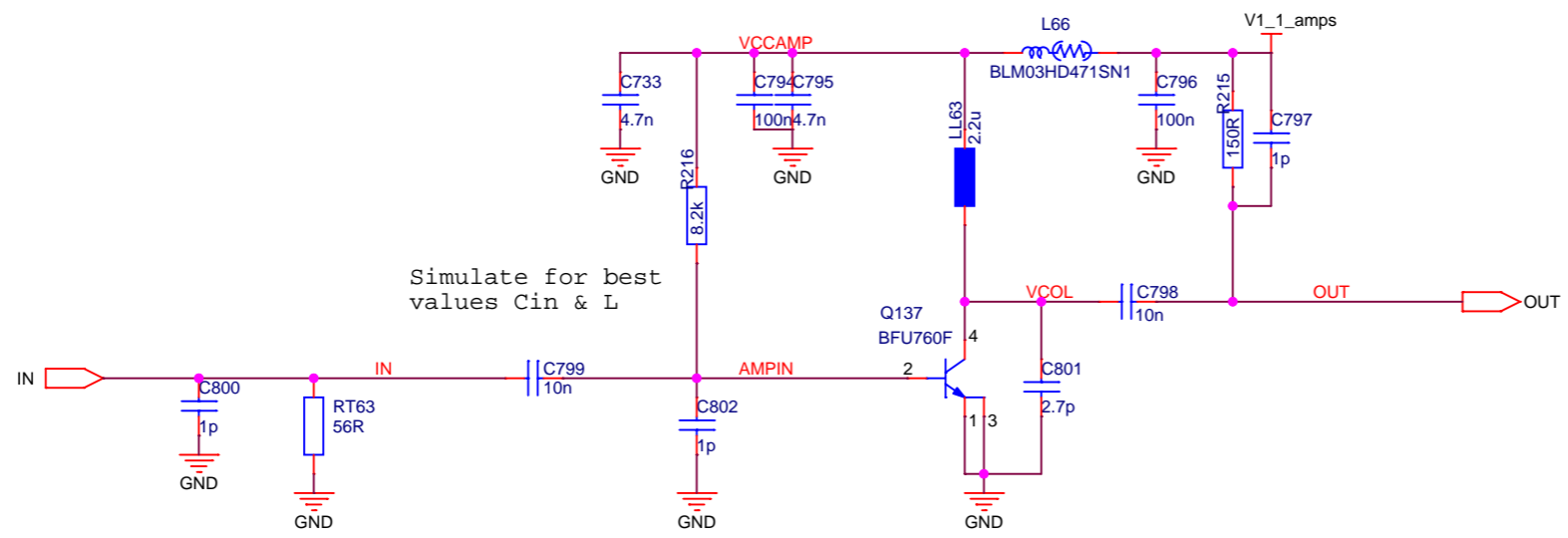


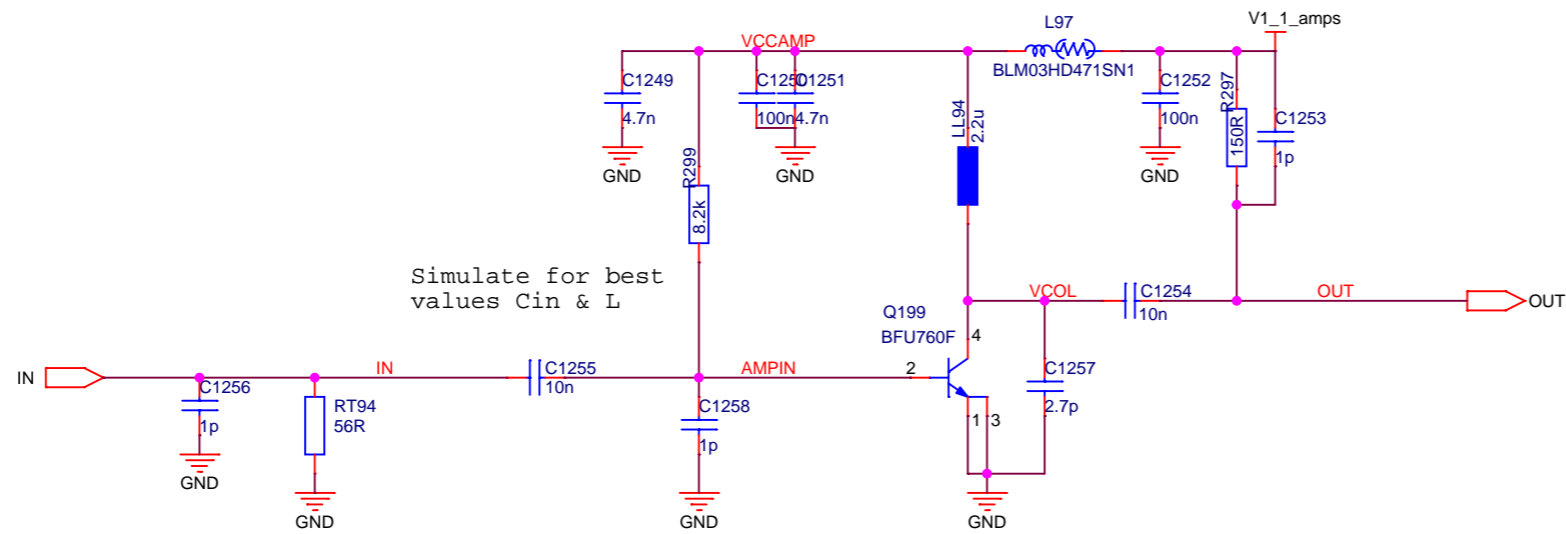


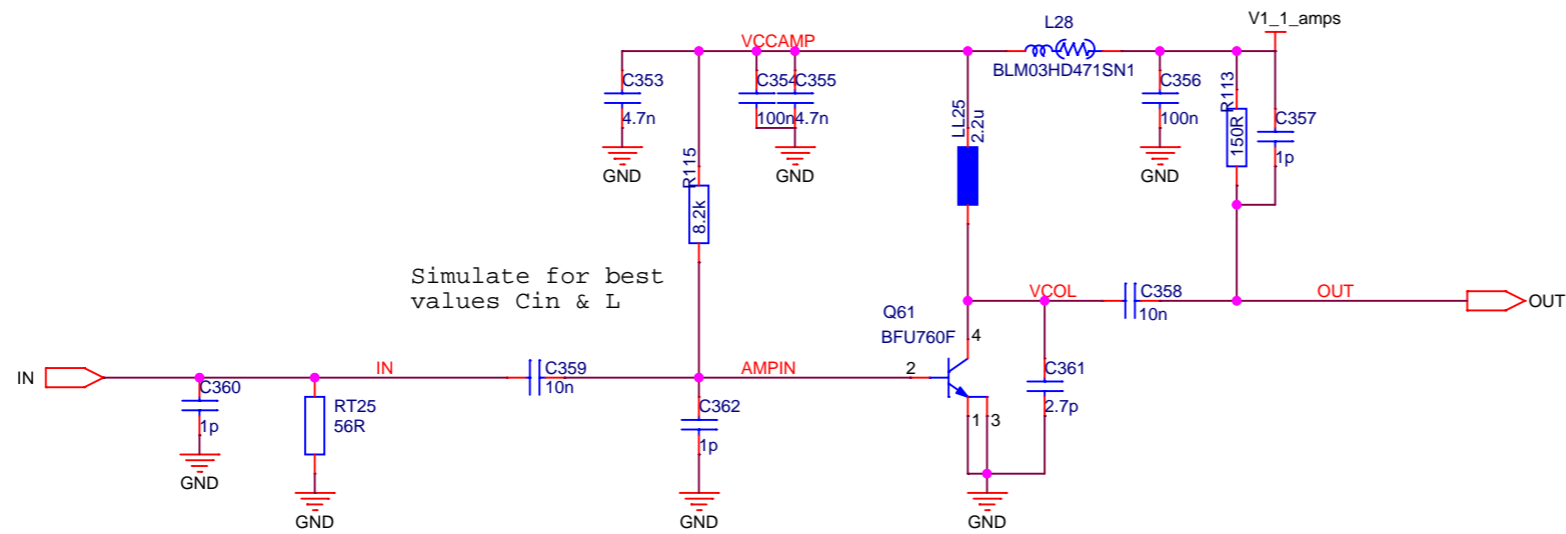


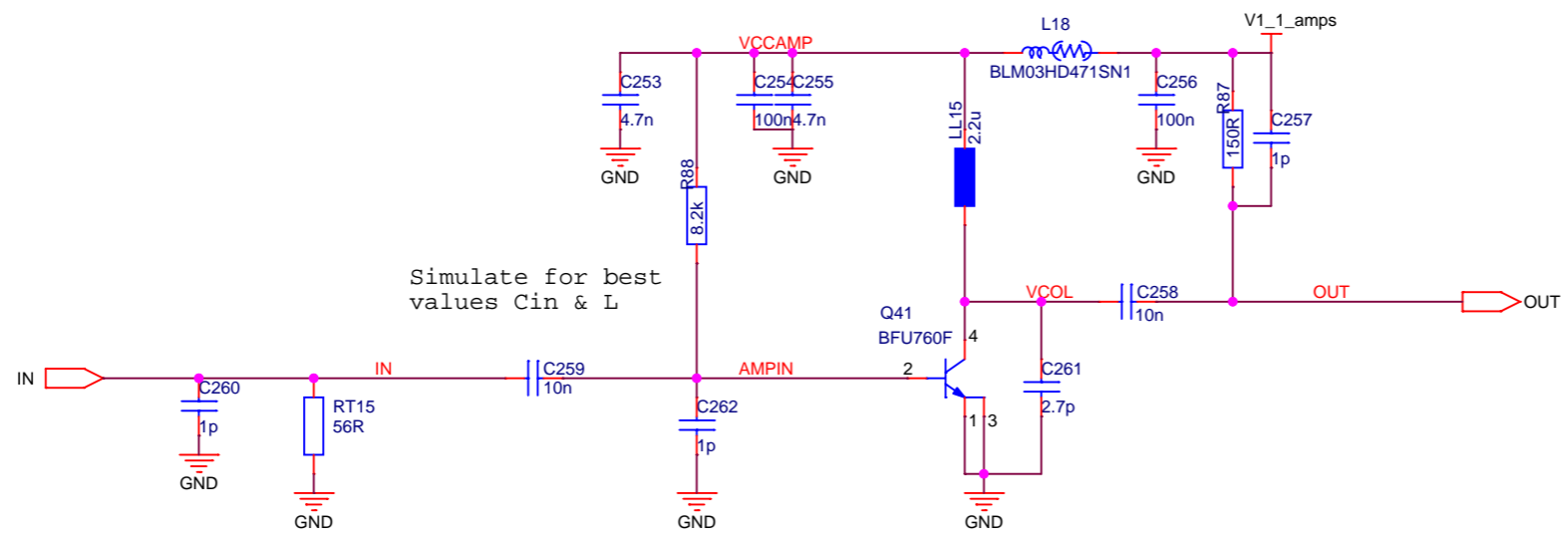
| | | |
|---|--|--------------------|
|  | Gesellschaft für Schwerionenforschung mbH Planckstrasse 1 D-64291 Darmstadt GERMANY www.gsi.de | |
| | 2 CHANNEL CHARGE & TIMING INPUT STAGE | |
| Design: K:\GSI\JOB\SCIF\SCIFI_652_AMP1\SCIFI_652_AMP1.DSN | | Size: A3 |
| Modified: Thursday, March 06, 2025 | | Page: 1 / 12 |
| Designer: H. Haggren | | Layouter: H. Kavan |



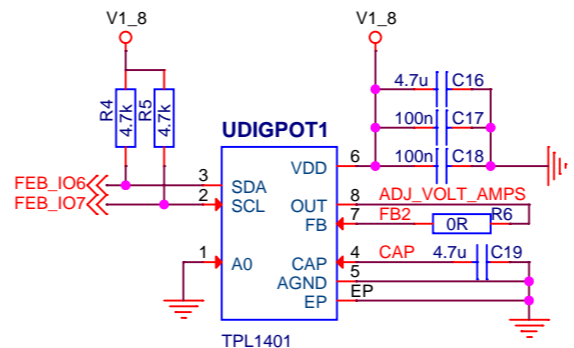
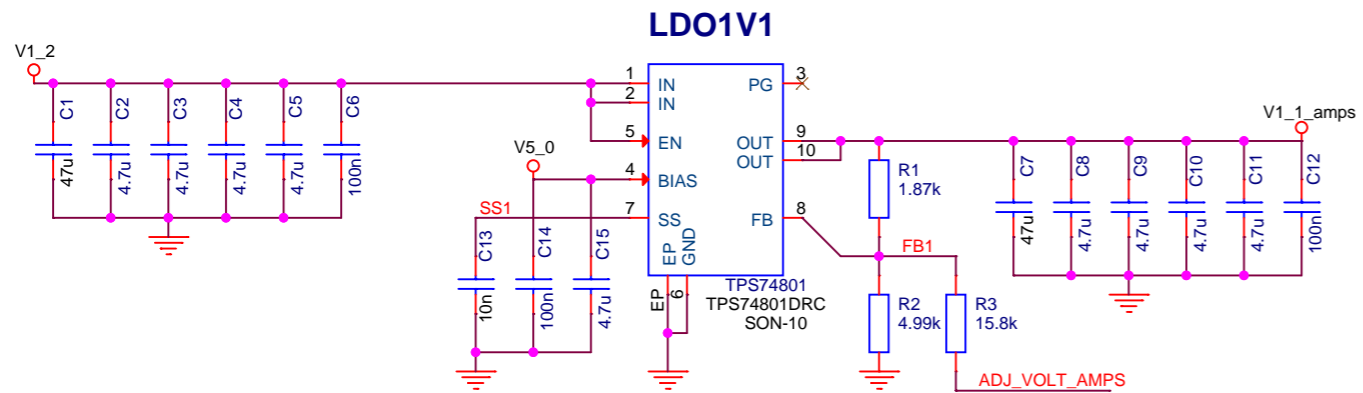
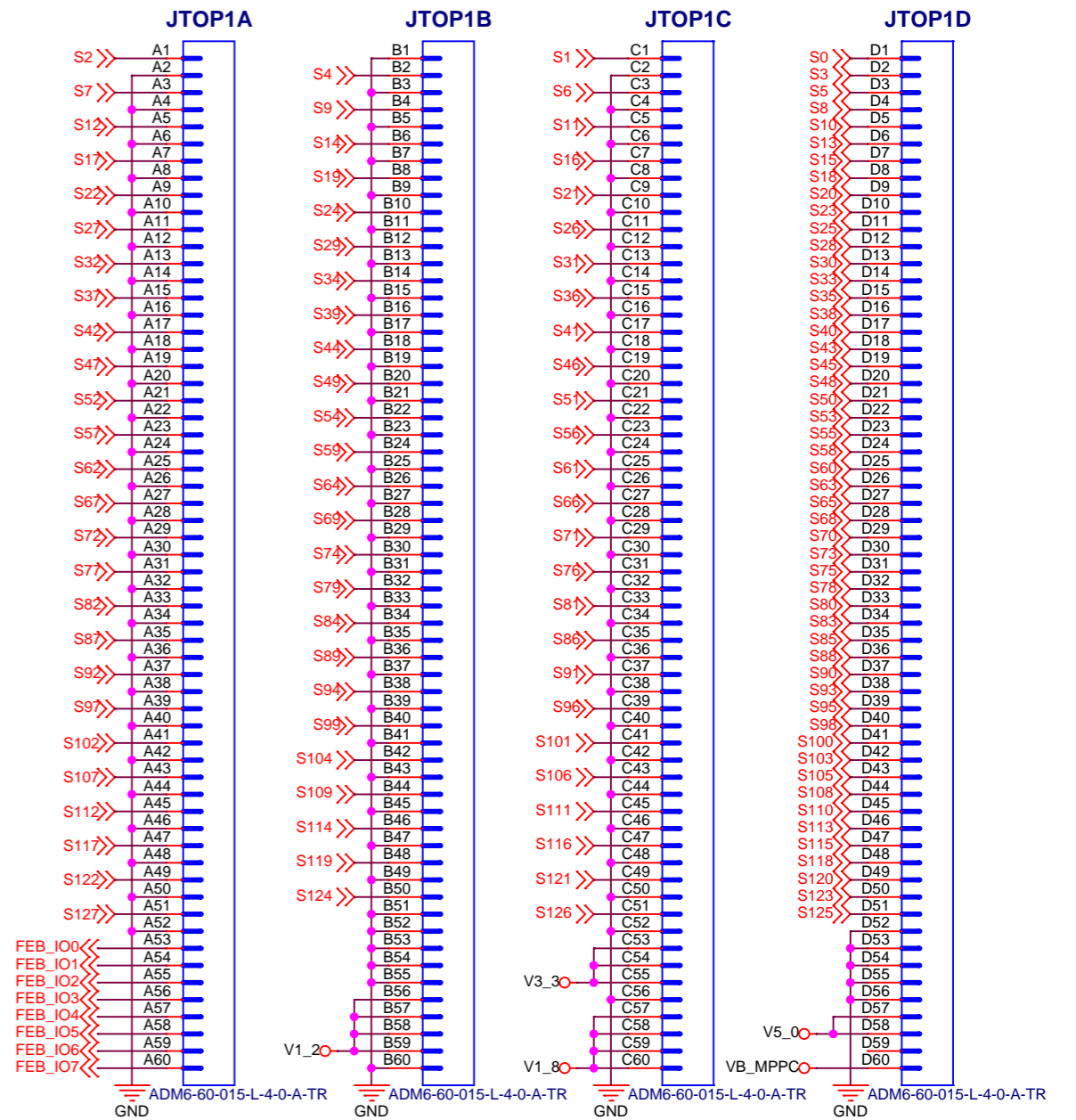
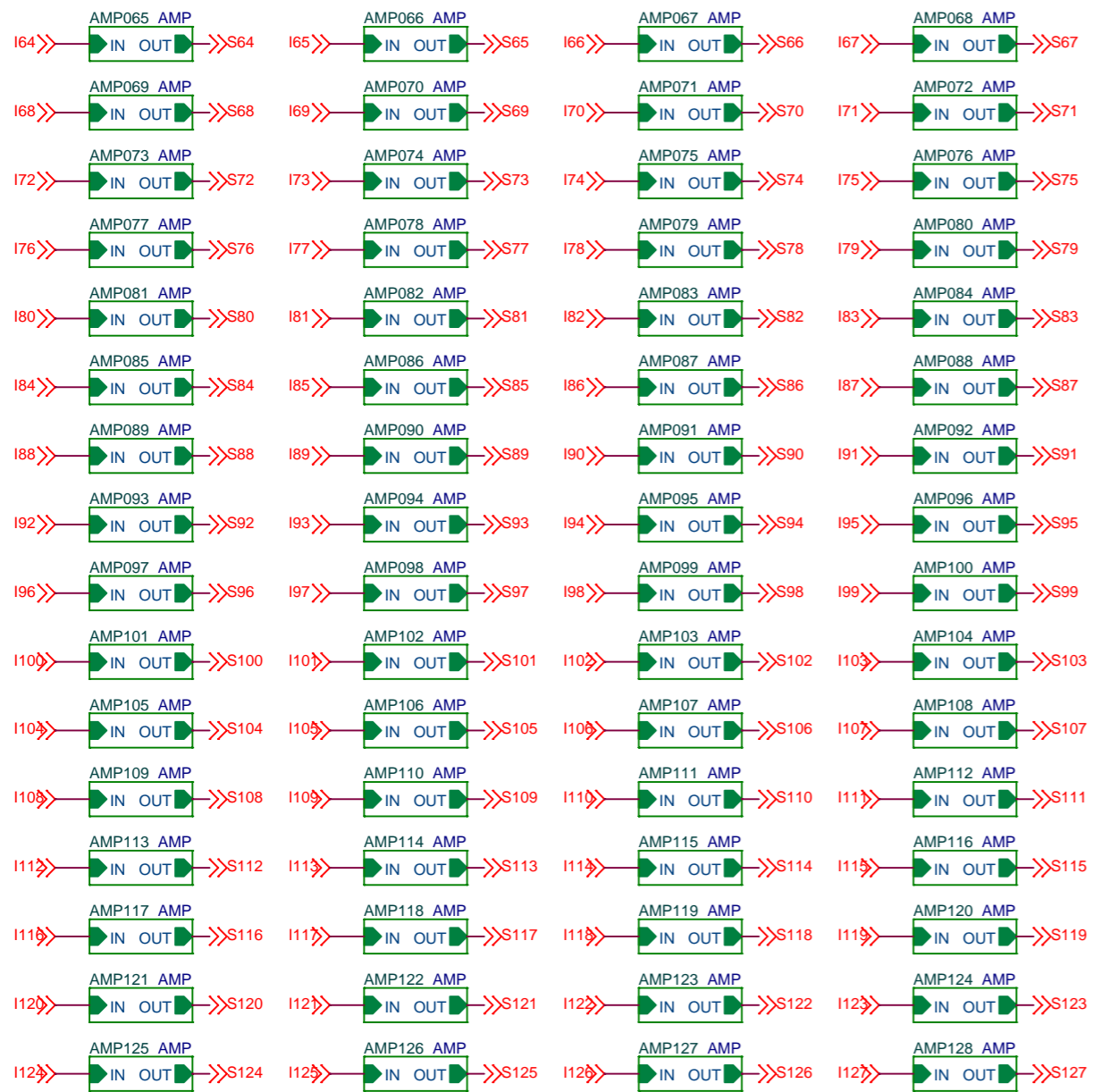








| | | |
|---|--|--------------------|
|  | Gesellschaft für Schwerionenforschung mbH Planckstrasse 1 D-64291 Darmstadt GERMANY www.gsi.de | |
| | 2 CHANNEL CHARGE & TIMING INPUT STAGE | |
| Design: K:\GSI\JOB\SCIF\SCIFI_652_AMP1\SCIFI_652_AMP1.DSN | | Size: A3 |
| Modified: Thursday, March 06, 2025 | | Page: 1 / 12 |
| Designer: H. Haggren | | Layouter: H. Kavan |



GSi

Gesellschaft für Schwerionenforschung mbH
 Planckstrasse 1
 D-64291 Darmstadt
 GERMANY
 www.gsi.de

SCIFI_652_AMPS1 PAGE2

| | | |
|---|---------------------|---------------|
| Design: K:\GSIJOB\SCIFI\SCIFI_652 AMP1\SCIFI_652 AMP1.DSN | Size: A3 | Page: 2 / 272 |
| Modified: Thursday, March 06, 2025 | Designer: H. Heggen | |